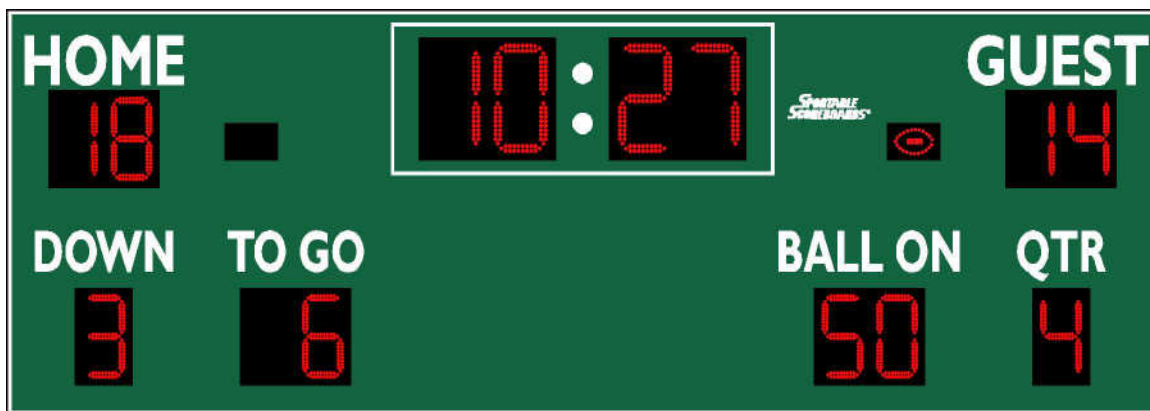


SPORTABLE SCOREBOARDS®

INSTALLATION INSTRUCTIONS FOR



Model 7424LED

www.sportablescoreboards.com

Table of Contents

DESCRIPTION.....	3
THE SCOREBOARD SYSTEM SHOULD INCLUDE THE FOLLOWING PARTS:.....	3
INSTRUCTIONS FOR REPORTING SHIPPING DAMAGE	3
INSTALLATION OVERVIEW	4
PRODUCT SPECIFICATIONS	4
Overall Dimensions:.....	4
Weight:	4
Mounting Requirements:.....	4
Power Requirements:	4
Communication Cable Requirements (for cable-controlled systems only):.....	5
DETERMINING LOCATION AND ORIENTATION.....	5
Helpful Installation Tips:	5
INSTALLING THE MOUNTING POLES/BEAMS.....	5
DETERMINING INSTALLATION TYPE.....	7
ASSEMBLING AND MOUNTING THE SCOREBOARD	7
Installation Type A:	7
Installation Type B:	9
RUNNING/CONNECTING THE CONTROL CABLE.....	11
At the scorekeeper’s location:	11
At the scoreboard:	12
TESTING THE INSTALLED SYSTEM	14
Connecting cable-controlled systems:	14
Connecting wireless systems:.....	14
Testing the scoreboard system in diagnostic mode:	14
IMPORTANT!.....	16
Warranty Activation/Installation & Completion Sign Off Sheet	16

DESCRIPTION

MODEL 7424LED

OUTDOOR SCOREBOARD

NOTE TO INSTALLERS: PLEASE RETURN THIS MANUAL TO THE INDIVIDUAL IN CHARGE OF THE SCOREBOARD UPON COMPLETION OF INSTALLATION.

The scoreboard and all accompanying accessories have been carefully inspected and tested before leaving the factory. However, it is possible for damage to have occurred during shipping. Therefore, we ask that you inspect all shipping containers upon arrival for damage and ensure that you have all of the parts listed below. If you find that damage has occurred during shipping: **DO NOT refuse the shipment, follow the instructions for filing a freight damage claim found below, and notify the manufacturer immediately.**

THE SCOREBOARD SYSTEM SHOULD INCLUDE THE FOLLOWING PARTS:

ITEMS IN LARGE PACKAGE

- (1) 8' x 24' scoreboard; shipped in six (6) sections

ITEMS IN ACCESSORY BAG

- (1) Keyboard controller with keypad inserts
- (1) 12-volt DC wall transformer
- (1) CD ROM (including installation, operation, maintenance, warranty, and support information)

Cable-controlled systems (standard):

- (1) Junction box cover with built-in 5-pin din socket
- (1) 20-ft. din cable with male 5-pin plugs
- (1) 150' roll of control cable or longer if customer specified

For wireless systems (Optional):

- (1) Wireless transmitter with interface cable
- (1) Keyboard mounting bracket for transmitter

Optional parts:

- (1) Internal Battery Pack for LCD Keyboard Controller

NOTE: INSTALLATION HARDWARE NOT SUPPLIED. CHECK LOCAL CODE FOR REQUIREMENTS. ANCHORS, BOLTS, CHAINS, CABLES AND RELATED HARDWARE MUST MEET MINIMUM WEIGHT REQUIREMENTS.

INSTRUCTIONS FOR REPORTING SHIPPING DAMAGE

Shipping damage must be noted at the time of delivery. Consignee must note on the "Delivery Receipt" form DAMAGED. Please make notations of the type of damage to the freight and to the packaging. Ask the delivery driver to call the local terminal and report immediately. The shipper is not responsible for the shipments that are not signed for as damaged upon arrival. Please contact the manufacturer immediately to report. The shipper is responsible for filing the claim, unless shipped 3rd party.

If damage is discovered after delivery, call the delivery company to report the concealed damage and please call the manufacturer immediately to report. Concealed damage must be reported within 5 days after the delivery date. If the damages are found after this time, the manufacturer will not be responsible.

INSTALLATION OVERVIEW

This manual will walk you through the installation of the scoreboard. While care has been taken to consider the many scenarios for installation, some general information applies to all. Use this guide as closely as possible to ensure proper installation, as follows:

1. Review the product specifications below to determine your specific installation hardware.
2. Mount the scoreboard to the wall or suspend it from a ceiling structure.
3. Install the electrical service for the scoreboard and the controller.
4. Install the control cable for cable-controlled systems. No additional installation is necessary for Wireless Remote Control systems.
5. Install any options, such as sponsor panels or protective nets, according to the installation instructions included with each option package.
6. Test the installed system.

PRODUCT SPECIFICATIONS

Overall Dimensions:

8'-0" tall x 24'-0" long x 8" deep, shipped in six (6) sections

Weight:

Hanging weight approx. 1510 lbs.
Shipping weight approx. 1560 lbs.

Mounting Requirements:

(3) 8" steel I-beams (W8 X 31), or (3) 8" OD galvanized steel poles (schedule 40)

Power Requirements:

Scoreboard:

- 1 - 120-volt, 20-amp, 60 Hz grounded AC circuit. Ideally, this will be a dedicated circuit.
- Access must be provided to turn off the power to the scoreboard after each use. Failure to turn off the power to the scoreboard could affect the functionality of the scoreboard; such as from a power surge or lightning strike.
- It is important to utilize the equipment ground inside the scoreboard cabinet at the utility box provided for the AC power connection.

Keyboard controller:

- 1 - 120-volt, 15-amp, 60 Hz grounded AC circuit - standard wall receptacle.

Communication Cable Requirements (for cable-controlled systems only):

Four conductor cable – 28 gauge, twisted pair (two pairs), shielded data cable.

DETERMINING LOCATION AND ORIENTATION

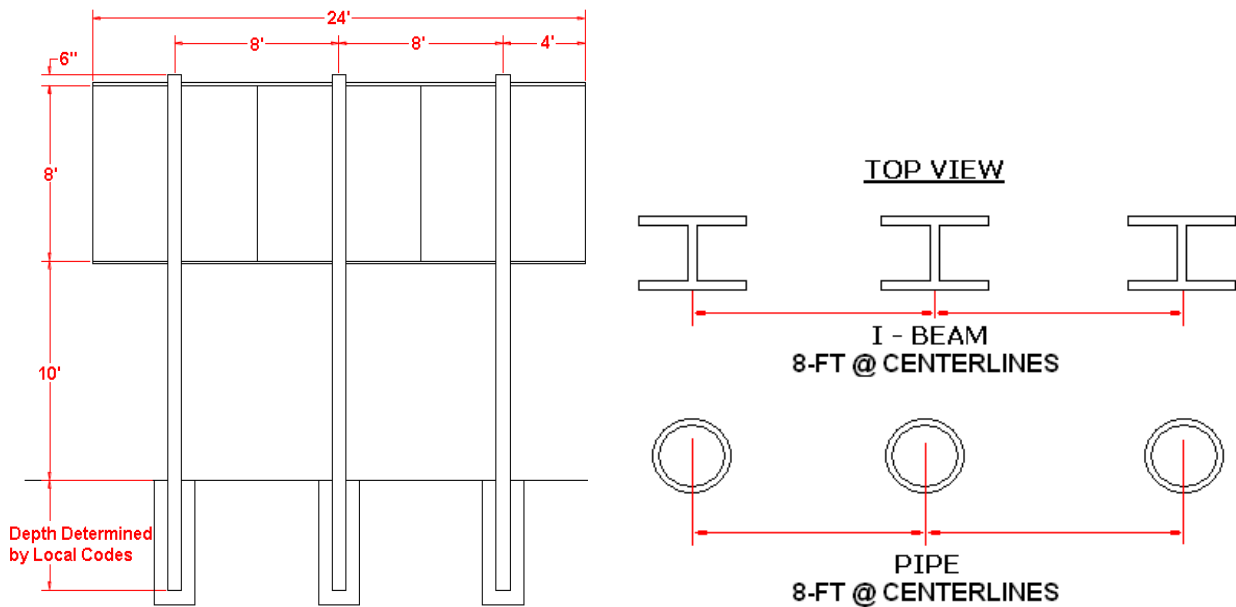
The scoreboard should be positioned so that the greatest number of spectators can easily view it. Also, consider the best orientation of the scoreboard should the system be used to score a daytime or afternoon game. The scoreboard should be positioned so that sunlight does not glare off of its face. In the U.S., placement on the South or West side of the field is recommended. Consult with the local building or zoning department before final determination and installing the scoreboard.

Helpful Installation Tips:

1. When removing the scoreboard from its packaging, do not pry against or cut into the scoreboard. Cut the packing straps and remove the box.
2. Inspect the unit for shipping damage according to the instructions on page 3.
3. Each piece of the provided 12' X 3" angle iron has two holes provided for a lifting shackle or clevis. Choose two of the 12' angle iron as the top mounting angle iron. Ensure that the pin for your clevis will pass through those holes. If not, it is easier to make changes before going further, whether a smaller clevis or a larger hole is required.
4. When installing the poles/I-beams that support the scoreboard, it is important to keep the spacing accurate and the faces straight. If you are using beams, a good way to keep the faces straight is to clamp a length of the 3" X 12' angle to the first and middle beams and the middle and third beams as they are placed, and if necessary, provide bracing until the concrete has cured. The poles/beams should be allowed to stand overnight for the concrete to cure enough to support the scoreboard.
5. Arrange 6 each 2" X 4" X 10' boards into two rows, three in each row, roughly seven feet apart on the ground in front of where you are to install the scoreboard. This will serve as a "table" for assembly and helps to keep the face of the scoreboard off of the ground. If the scoreboard uses wireless communication, remove the antenna from the panel it is mounted on until the scoreboard is mounted.

INSTALLING THE MOUNTING POLES/BEAMS

1. The following information for installing the mounting poles/beams is for suggestions only. Local codes, field placement, scoreboard options, customer preference, and other special considerations will determine the above ground height and total length of the poles/beams. The center to center pole/beam spacing should not be changed.
2. Install the three (3) mounting poles/beams (supplied by the customer) on the field 8'-0" (eight feet, zero inches) center to center with 18'-6"(*) of pole/beam above ground (refer to the installation diagram below). If a sponsor panel is to be mounted above the scoreboard, leave 21'-0" (*) of pole/beam above ground (an additional 30").
3. The poles/beams must be set into concrete footers.



- 4.
5. When installing the poles/I-beams that support the scoreboard, it is important to keep the spacing accurate and the faces straight. If you are using beams, a good way to keep the faces straight is to clamp a length of the 3" X 12' angle to the first and middle beams and the middle and third beams as they are placed, and if necessary, provide bracing until the concrete has cured. The poles/beams should be allowed to stand overnight for the concrete to cure enough to support the scoreboard.
6. Make sure the poles are level and plumb. If the face of a pole/beam (either at the top or bottom of the mounting points of the scoreboard) is not straight, shims will be needed to continue the installation.
7. The required dimensions for the footers vary from city to city and state to state depending on the soil conditions, scoreboard size, and the building and sign codes for your area. Consult with local building officials for the required pole sizes and footer construction regarding this installation. A local architect, structural engineer, or sign installer may also be a source of assistance

NOTE: CONSULT WITH LOCAL BUILDING CODE OFFICIALS REGARDING THE REQUIRED DIMENSIONS/CONSTRUCTION OF THE FOOTERS, POLE/BEAM SIZES, AND OTHER REQUIREMENTS AND RESTRICTIONS REGARDING THE INSTALLATION OF THE SCOREBOARD.

IMPORTANT: DO NOT MOUNT FLAT TO A WALL. A MINIMUM OF 18" CLEARANCE MUST BE LEFT FOR ACCESS TO THE REAR OF THE UNIT, AS THE ELECTRONIC MODULE ACCESS AND ALL POWER AND SIGNAL CABLE ACCESS DOORS ARE LOCATED ON THE BACK OF THE SCOREBOARD. 24" CLEARANCE IS RECOMMENDED.

DETERMINING INSTALLATION TYPE

IMPORTANT NOTE: The main consideration when choosing installation type A or B is whether the lifting device you will use is capable of supporting the weight of the entire assembly. Your lift should be capable of lifting 2000 pounds in order to use Install Type B with this scoreboard. We do not recommend using Install Type B if the lift you will use is borderline of supporting the total weight or if the lift will not be stable during the lifting process.

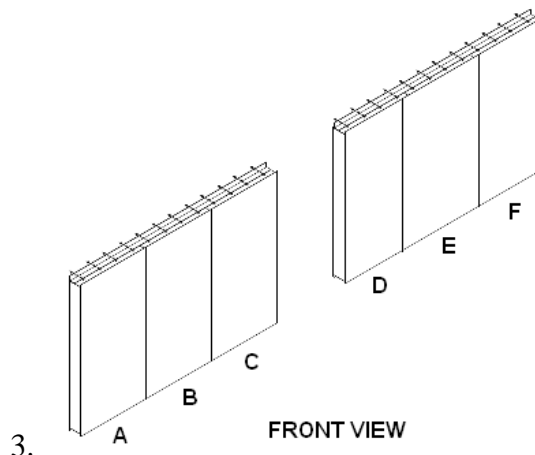
NOTICE: Determining the installation method is the responsibility of the installer.

ASSEMBLING AND MOUNTING THE SCOREBOARD

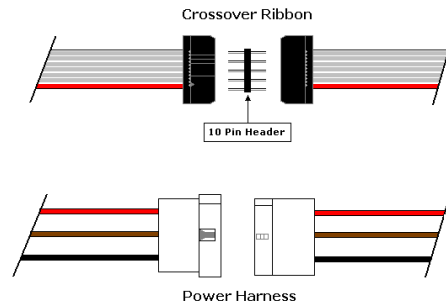
IMPORTANT: DO NOT MOUNT FLAT TO A WALL. A MINIMUM OF 18" CLEARANCE MUST BE LEFT FOR ACCESS TO THE REAR OF THE UNIT, AS THE ELECTRONIC MODULE ACCESS AND ALL POWER AND SIGNAL CABLE ACCESS DOORS ARE LOCATED ON THE BACK OF THE SCOREBOARD. 24" CLEARANCE IS RECOMMENDED.

Installation Type A:

1. After unpacking the scoreboard, arrange the panels in order A – G from left to right, face down, with the top away from the mounting poles or I beams. Keep the panels aligned at the top and against each other, making sure not to pinch cables that may be hanging outside of each cabinet.
2. Join sections A, B, and C using two of the four 12' mounting angle irons and join sections D, E and F using the remaining two 12' mounting angle irons, resulting in two assemblies.

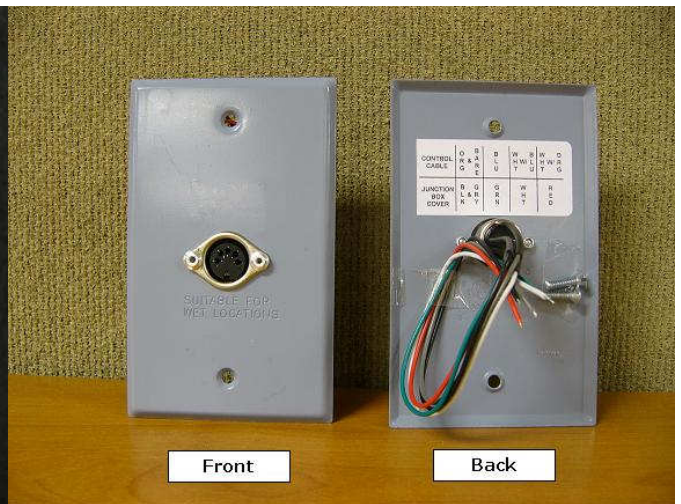
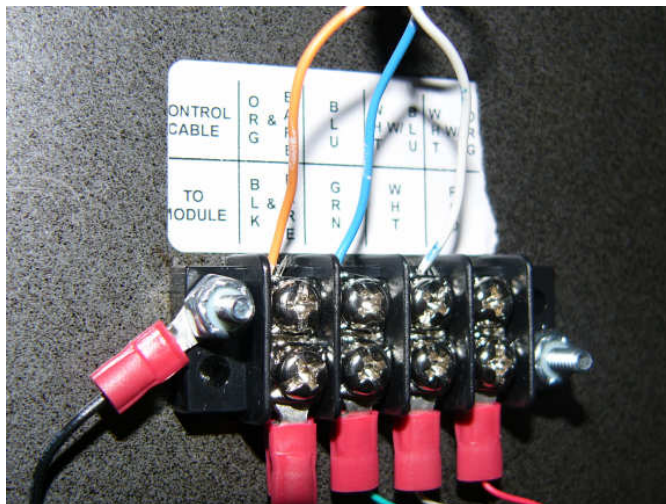


4. Install crossover nipples between cabinets A, B, & C in one section and between cabinets D, E and F in the other section. **Failure to install crossover nipples will void the warranty.**



5.

6. Connect ALL crossover cables between cabinets as in the “Cable Connections” image above, making sure the red stripe on the edge of the ribbon cables are aligned when connected. The power harnesses are male/female and cannot be connected incorrectly.
7. Looking at the back of the scoreboard, mount the left section assembly (D, E and F) assembly to the mounting poles/beams.
8. Looking at the back of the scoreboard, mount the right section (A, B, &C) assembly to the mounting poles/beams, mating it to the right section.
9. Install crossover nipples between cabinets C and D.
10. Connect crossover cables between cabinets C and D as in Step 4 above.
11. Install any options; such as sponsor panels, horns, or protective screens according to the installation instructions included with each option.
12. Run and connect the control cable for cable-controlled systems. No additional installation is necessary for Wireless Remote Control systems as the wireless receiver is built-in the scoreboard.



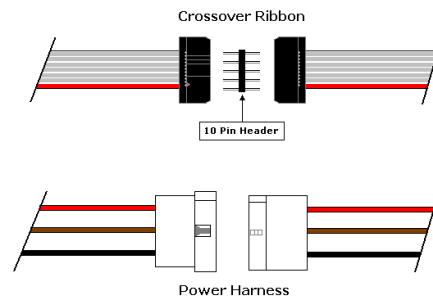
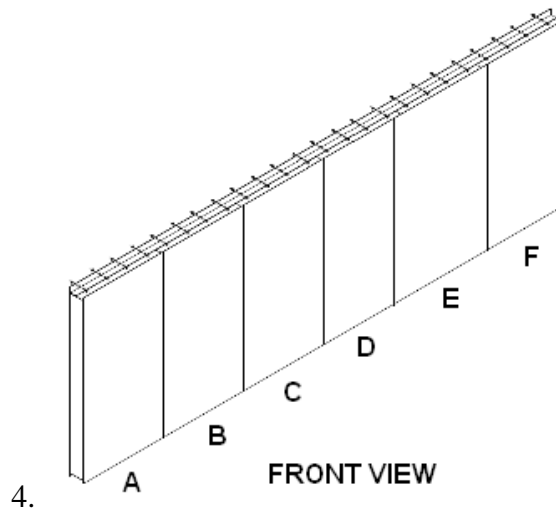
13.

14. **NOTE: IF THE WIRES IN YOUR CABLE DO NOT COLOR MATCH WHAT IS SHOWN ABOVE, CONNECT TO THE TERMINALS WITH THE BLACK, GREEN, AND WHITE CONDUCTORS. DO NOT CONNECT A WIRE TO THE RED TERMINAL. MATCH THE SAME COLORS IN YOUR CABLE TO THE BLACK, GREEN, AND WHITE WIRES ON THE BACK OF THE WALL PLATE AT THE SCORING LOCATION.**

15. Run and connect the electrical service to the scoreboard and the controller.
16. Replace the antenna on the front of the scoreboard if your scoreboard is wireless.
17. Test the installed system.
18. Install access covers on the rear of the scoreboard.
19. Fax/return warranty activation sheet to Scoreboard Service Company at (270) 753-3773.

Installation Type B:

1. After unpacking the scoreboard, arrange the panels in order A – G from left to right, face down, with the top away from the mounting poles or I beams. Keep the panels aligned at the top and against each other, making sure not to pinch cables that may be hanging outside of each cabinet.
2. Install crossover nipples between cabinets. **Failure to install crossover nipples will void the warranty.** Connect wiring in each of these sections.
3. Join the cabinets using the 3" X 12' mounting angle, making one assembly.

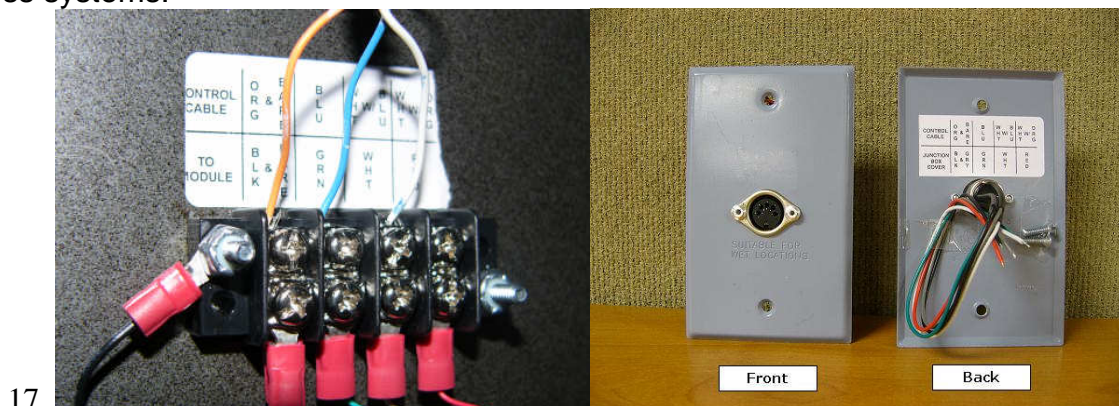


5. Connect ALL crossover cables between cabinets as in the “Cable Connections” image above, making sure the red stripe on the edge of the ribbon cables are aligned when connected.
6. Lift the assembly from the top angle irons to a vertical position, still resting on the ground and install the top sponsor panel if included in the installation. Install the 2” X 8” flat steel brackets

with the bolts provided in the pre-drilled holes along the top of the sponsor panel, with the bracket being perpendicular to the scoreboard, as shown below in the figure on the right.



7. Lay two pieces of the 2" X 2" X 12' angle in the top channel of the scoreboard. These will be installed after the scoreboard is mounted.
8. Pick the scoreboard up high enough to install the bottom sponsor panel if included in the installation. Repeat the bracket assembly process from Step 3.
9. Raise the scoreboard to the mounting poles or I Beams and at the proper height, use a clamp at one pole or I beam to hold that corner in place.
10. Using a level in the top channel of the scoreboard, slowly raise the scoreboard to level it and clamp to the other end mounting pole or I Beam.
11. Weld or bolt the mounting angle to the poles or I Beams you are clamped to and follow the same procedure at the bottom of the scoreboard, clamp and weld or bolt. Follow by welding or bolting the angle to the center pole or I Beam at the top and bottom. It may be necessary to use clamps here as well.
12. At the top sponsor panel, clamp the two 2" X 2" X 12' angle to the I beams or poles level with the top of the sponsor panel and weld or bolt them to the poles or I Beams.
13. Weld or bolt the sponsor panel brackets that were fastened to the sponsor panels in Step 5 to the 2" angle, making sure to check for straightness along of the top edge of the sponsor panels before welding.
14. Repeat Steps 9 and 10 for the bottom sponsor panel.
15. Install any options such as horns or protective screens.
16. Run and connect the control cable for cable controlled systems. No cable is required for wireless systems.



18. NOTE: IF THE WIRES IN YOUR CABLE DO NOT COLOR MATCH WHAT IS SHOWN ABOVE, CONNECT TO THE TERMINALS WITH THE BLACK, GREEN, AND WHITE CONDUCTORS. DO NOT CONNECT A WIRE TO THE RED TERMINAL. MATCH THE SAME COLORS IN YOUR CABLE TO THE BLACK, GREEN, AND WHITE WIRES ON THE BACK OF THE WALL PLATE AT THE SCORING LOCATION.

19. Run and connect the electrical system for the scoreboard and controller.

20. Replace the antenna on the front of the scoreboard if your system is wireless.

21. Test the installed system.

22. Install access covers on the rear of the scoreboard.

23. Fax/Return the Warranty Activation Form to Scoreboard Service Company at 1.270.753-3773.

RUNNING/CONNECTING THE CONTROL CABLE

(For scoreboards with Wireless Remote Control, skip this step.)

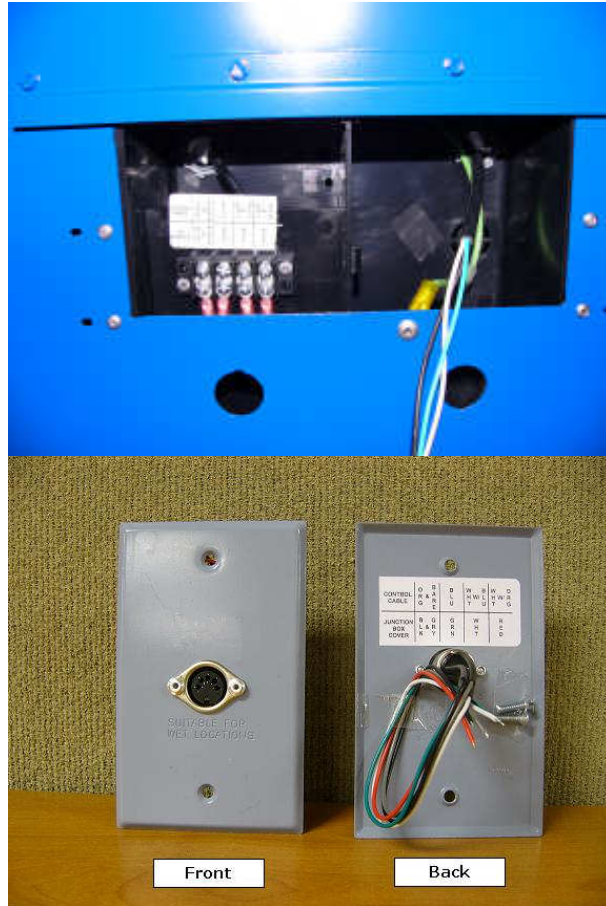
The control cable may be buried with or without conduit if the cable is direct burial-rated. Direct burial-rated cable in conduit is recommended for extended trouble free use. If the cable is not direct burial-rated cable, then it must be buried in a sealed, watertight conduit. The same is true for the electric cable powering the scoreboard. Both cables may be buried in the same trench but they must be kept at least 6" apart. If conduit is required for both, separate conduits must be used.

The control cable should run from the scoreboard to a location that is within 10 feet of the scorekeeper's location. Here, the supplied junction box cover should be installed on a 2x4, single-gang junction box. The keyboard will connect to the receptacle on the junction box cover via the included 20-ft. control cable.

At the scorekeeper's location:

1. Bring the control cable into a 2x4 single-gang junction box located within 10 feet of the scorekeeper.
2. Connect the leads inside the control cable to those on the junction box cover according to the label on the junction box cover. Refer to the installation diagram on the following page for more information.

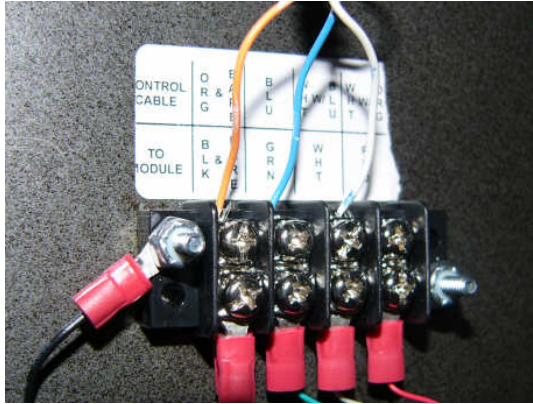
i.



- NOTE: IF THE WIRES IN YOUR CABLE DO NOT COLOR MATCH WHAT IS SHOWN ABOVE, CONNECT TO THE TERMINALS WITH THE BLACK, GREEN, AND WHITE CONDUCTORS. DO NOT CONNECT A WIRE TO THE RED TERMINAL. MATCH THE SAME COLORS IN YOUR CABLE TO THE BLACK, GREEN, AND WHITE WIRES ON THE BACK OF THE WALL PLATE AT THE SCORING LOCATION.**
- Secure the junction box cover to the installed junction box.

At the scoreboard:

- Remove the signal/power access door located on the back of panel A. For access door location, refer to the diagram on the following page.
- From the ground, run the control cable through sealed, rain tight conduit then through a rain-tight conduit fitting into the left side of the signal cable/power access door and into the scoreboard.
- Inside the scoreboard, connect the control cable leads to the appropriate terminals on the terminal block, according to the label above the terminal block.



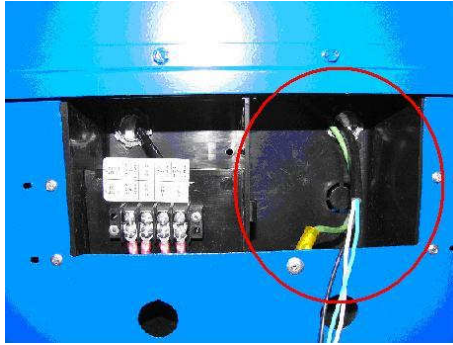
a.

4. **NOTE:** If the colors of the wires in the control cable differ from those referenced on the label or shown in the following diagrams, refer to the notes you made when connecting the control cable to the junction box cover at the scorekeeper's location. Ensure that each lead on the junction box cover is connected to the same color lead on the scoreboard terminal block, regardless of the color(s) of the wires in the control cable that connect them.
5. Re-secure the signal/power access door to the scoreboard.
6. **NOTE:** Even if the control cable was not buried in conduit, it must be run in sealed, watertight, conduit from the ground up to the signal cable/power access door located on the back of the scoreboard. Here, it must pass through a rain-tight conduit fitting where it will connect to the signal cable terminal block inside the scoreboard.

RUNNING & CONNECTING THE ELECTRIC SERVICE

NOTE: IT IS RECOMMENDED TO HAVE A LICENSED ELECTRICIAN FOR THIS PORTION. IDEALLY, THE SCOREBOARD WILL BE POWERED FROM A DEDICATED 120-VOLT / 20 AMP CIRCUIT. ADDITIONALLY, SINCE THE SCOREBOARD'S POWER SHOULD BE TURNED OFF AFTER EACH USE, THERE SHOULD BE EASY ACCESS TO THE POWER SWITCH OR CIRCUIT BREAKER. IF ACCESS TO THE CIRCUIT BREAKER IS NOT AN OPTION, INSTALL A SWITCH SOMEWHERE THAT IS ACCESSIBLE, EVEN IF UNDER THE SCOREBOARD AT AN ABOVE AVERAGE HEIGHT.

1. The scoreboard has a ½" knock-out on the lower right corner for bringing in the electrical service. It can be enlarged if the conduit size is ¾". This is where the conduit from the power source needs to terminate.



2.

3. The connections are standard black, white, and green (ground). Replace the cover when complete.

TESTING THE INSTALLED SYSTEM

NOTE: Please refer to the OPERATORS MANUAL on the CD, or included with the system to operate the scoreboard.

Connecting cable-controlled systems:

Connect one end of the supplied 20-ft. control cable into either of the two control cable jacks on the back of the controller and the other into the receptacle on the supplied junction box cover installed at the scorekeeper's location.

Connecting wireless systems:

Connect the wireless transmitter to the controller using the interface cable by plugging the large end of the interface cable into either of the control cable jacks on the back of the controller.

Testing the scoreboard system in diagnostic mode:

1. Connect the appropriate end of the 12-volt DC wall transformer to the power receptacle on the back of the controller. Plug the transformer into a live, 120-volt outlet. If the optional battery pack was purchased with the keyboard, the transformer is also used to charge the battery.
2. Turn the power to the scoreboard *ON* using the power disconnect switch or circuit breaker. The **HOME** and **GUEST** scores should read "0", **DOWN** and **QTR** should read "1", **BALL ON** should read "20", **TO GO** should read "10", and the clock should display the start-up time.
3. With the controller *OFF*, press and hold the **OPTION** key while turning the controller *ON*. The controller's LCD will briefly display the controller's software version. When the display changes and reads "**SELECT DIAG MODE <DIGIT TEST>**," press **ENTER**. The LCD will now read "**SEGMENT TEST – SEGMENTS OFF.**"
4. **NOTE: None of the scoreboards components should be lit at this time. If any components are lit, especially with a solid "8", check the crossover connections**

between cabinets. Ensure that the red stripes on the ribbon cables are matched where they are connected.

5. Pressing the **UP** arrow (located on the far right of the controller's keypad) will cycle the scoreboard into "digit count" mode and all displays on the scoreboard will count 0-9 repetitively. Pressing the **UP** arrow again will cycle to "**<ALL ON>**", and all components should display an "8". At this time, take a look at the segments of each component for LEDs that are not lit.
6. To exit the diagnostic mode, press the **RESET** key twice.
7. If all components pass this test, the installation is complete.

NOTE: Always turn both the controller and the scoreboard *OFF* after each use. If the controller is turned *OFF* but the scoreboard remains *ON*, (or if the controller loses communication with the scoreboard), the scoreboard's *STRIKE* digit will begin to flash. This feature is intended to remind the user to turn power to the scoreboard *OFF* after each use.

IMPORTANT!
Warranty Activation/Installation & Completion Sign Off Sheet

NOTE: This sheet must be completely filled out and returned/faxed (270) 753-3773 to Scoreboard Service Company before your warranty can be activated.

Your Serial Number _____

Your Model Number _____

Date Purchased _____

Sales Agent _____

Person Authorizing Purchase (title) _____

Date Installation Completed _____

Company or Person Responsible
For Installation (address/phone number) _____

This document confirms that the installation for the 6-ft.x 24-ft. Football Scoreboard has been completed. All structural, wiring, and power requirements have been met. This unit has been tested in scoring and diagnostic modes, ensuring the functionality of the unit.

Scoring/timing equipment responsible party

Installer

So that we may better serve you, please have this information available in the event you need to call technical support. Customer Service: 1-800-411-3136