

BLEACHER SPECIFICATIONS

PRODUCT DESCRIPTION / MATERIALS / FINISHES

1) UNDERSTRUCTURE -

Constructed of prefabricated aluminum angle. Understructure frames are spaced at 6' intervals and joined together by aluminum angle cross bracing. Material used is aluminum alloy 6061-T6 mill finish.

Material sizes used are -

- A** - 2" x 2.5" x .25" thickness Aluminum Angle
 - B** - 1.5" x 2" x .25" thickness Aluminum Angle
 - C** - 2" x 2" x .187" thickness Aluminum Angle
 - D** - 1.5" x 2" x .187" thickness Aluminum Angle
 - E** - 1" x 1.5" x .187" thickness Aluminum Angle
 - F** - 2.5" x 1.5" x .250" thickness Aluminum Angle
 - G** - 3.0" x .170" thickness Aluminum Channel
- Source of Quality Control - Mill Test Certification.

2) SEAT PLANKS -

Constructed of nominal 2" x 10" extruded aluminum alloy 6063-T6 with a standard wall thickness of .078", standard leg height of 1.75", fluted non-skid surface. Standard finish to be clear anodized with end capped off with 2" x 10" poly end caps. Design load = 120 lbs. per lineal foot.
Source of Quality Control - Mill Test Certification.

3) FOOT PLANKS -

Constructed of nominal 2" x 10" extruded aluminum, alloy 6063-T6 with a standard wall thickness of .078", standard leg height of 1.75", fluted non-skid surface. Standard finish to be mill finish with ends capped off with 2" x 10" poly end caps. Design load = 120 lbs. per lineal foot. Double foot planks on row 4 and above.
Double foot planks on all rows available.
Source of Quality Control - Mill Test Certification.

4) RISERS -

Constructed of nominal 2" x 10" extruded aluminum, alloy 6063-T6 with standard wall thickness of .078", standard leg height of 1.75", fluted non-skid surface. Standard finish to be mill finish with ends capped off with 2" x 10" poly end caps. Risers provided on row 4 and above.
Source of Quality Control - Mill Test Certification.

5) DIAGONAL CROSS BRACING -

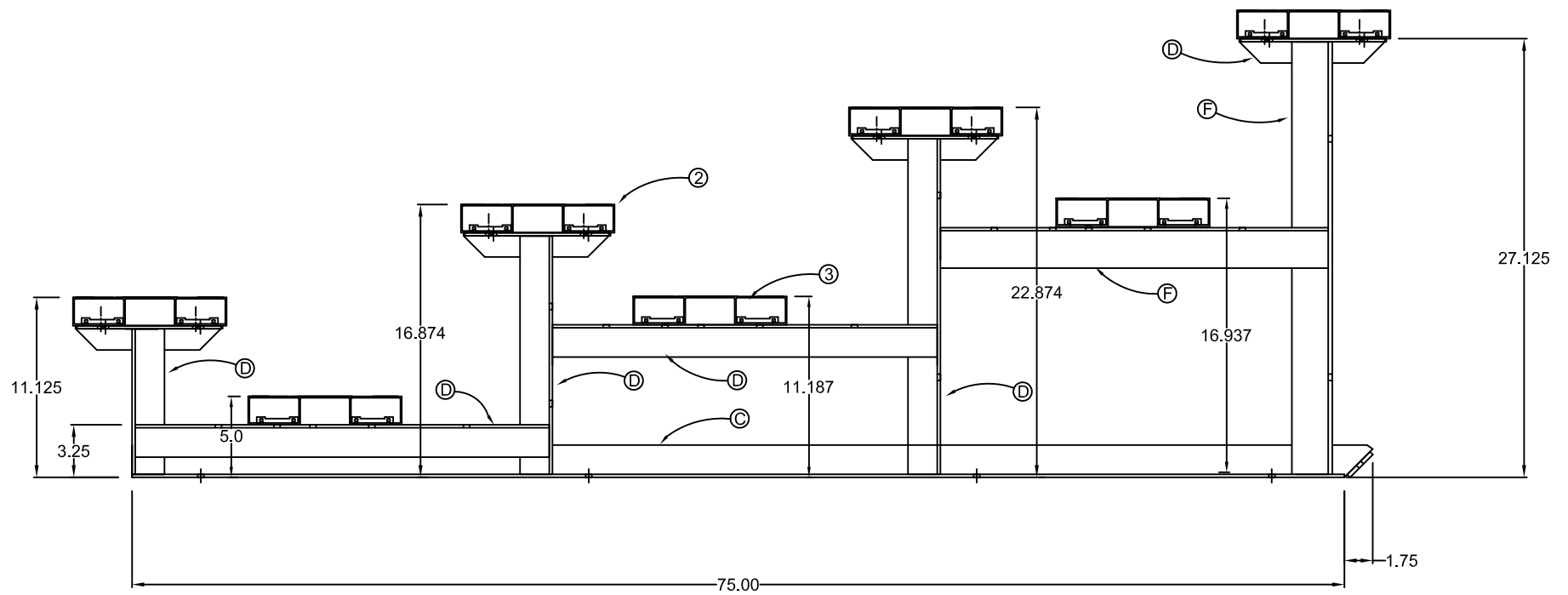
Constructed of 1" x 1.5" x .187" thickness aluminum angle. 6061-T6 Mill Finish
Source of Quality Control - Mill Test Certification.

6) VERTICAL RISE -

Vertical rise between seats is 6" on 2 and 3 row bleachers and 8" on 4 row and higher.
Seats are spaced 16" above their respective Foot Plank on 2 and 3 row bleachers.
Seats are spaced 17" above their respective Foot Plank on 4 row and higher.

7) HORIZONTAL SPACING -

Horizontal spacing between seats is 24".



<p>TOLERANCE</p> <p>.X = ±.030</p> <p>.XX = ±.010</p> <p>.XXX = ±.005</p> <p>FRACTIONAL = ± 1/32</p> <p>UNLESS OTHERWISE NOTED</p>		<p>1901 Diplomat Drive Farmers Branch, Texas 75234</p>	
		<p>BSNSPORTS</p>	<p>DRAWN Z. OSORIO</p>
<p>REV A</p>	<p>DATE 9/14</p>	<p>CHECKED</p>	<p>APPROVED</p>
<p>REF:</p>	<p>SCALE: NTS</p>	<p>TITLE</p> <p>4-ROW FRAME T & R</p>	<p>NUMBER ZNBFRAME4L</p>

WARRANTY AND MAINTENANCE SHEET

Before attempting assembly, examine the enclosed drawings; identify the various parts and their corresponding part numbers. Compare the parts and quantities with packing list, noting any discrepancies. The assembly drawings were designed to provide you with an easy to understand picture of the bleacher assembly. Should you have any difficulties in assembly, contact our customer service department at 1-800-527-7510.

IMPORTANT NOTICE

These bleachers have been designed and manufactured to meet NFPA National Fire Protection Association and CPSC Consumer Product Safety Commission Standards for Safety. However, since local codes may vary, the purchaser of the product must be responsible for compliance with local or state codes pertaining to this product. The manufacturer, distributor, or any of their representatives assume no liability for code compliance.

SURFACE PREPARATION

ALL bleachers **MUST** be installed on a solid, smooth and level surface. Manufacturer will not be responsible for any damage resulting from the use of this product on any irregular surface conditions. **ALL** bleachers with a top row seat over 30" from ground level **MUST** be anchored to a concrete pad or footer. Most local codes require permanent anchoring to concrete to meet wind load requirements. Please check your local codes. Bleachers with a top row seat less than 30" from ground level may remain portable however manufacturer strongly recommends attaching weather treated lumber Groundsills. Groundsills should be at least 2" x 6" lumber and attached with $\frac{3}{8}$ " x 1 $\frac{1}{2}$ " lag screws (not provided).

STORAGE

Assembled units shall be stored in usable position only, not tilted back on column. The manufacturer will not be responsible for damage or personal injury resulting from product being stored in any other position.

MAINTAINANCE

In order to assure continued spectator safety and comfort, an annual inspection of these bleachers is required. No warranties, specified or implied, will be honored on this product unless replacement parts are purchased from original manufacturer and unless inspection and maintainance records have been kept by the Owner. This annual inspection shall include, but is not limited to the following:

1. Bolt tightness (Bolts, nuts, set screws, etc).
2. Vertical and horizontal alignment of all component parts.
3. Any broken or damaged parts, whether from normal use or abuse.
4. End cap fit and condition (snug fit, unbroken condition).
5. Visual inspection of any and all welded connections.
6. Insure that the base angle is in full and continuous contact with supporting surface, i.e., turf, concrete, asphalt or grade.

WARRANTY

All bleachers shall carry, after proper assembly and under normal use for the type of structure, a five (5) year warranty against all defects in materials and workmanship. In addition, all aluminum plank extrusions shall be covered by a one (1) year warranty against deterioration of anodized finish or loss of structural strength due specifically to constant exposure to changing weather and environmental conditions. Acts of vandalism or abuse shall render the conditions of these warranties null and void

**4 ROW - 56 SEAT - 21' LOW RISE
BLEACHER ASSEMBLY**

- STEP 1)** Unpack all parts. Check all parts with parts list to verify you have everything and that no damage has occurred during shipping.
- STEP 2)** Attach the six cross braces (**item B**) to the Bleacher Frames (**item A**) using Hex Bolts, Flat Washers, Lock Washers and Hex Nuts (**items H, I, J, K,**) as shown in diagram-1. **Tighten bolts securely.**
- STEP 3)** Now attach all the Bolt Clips (**item E**) to the Bleacher Frame using Carriage Bolts and Locking Flange Nuts (**item F, G**) ; leave the nuts loose at this time. See diagram-2.
- STEP 4)** Lay the Foot Planks (**item D shiny finish**) and the Seat Planks (**item C dull finish**) in place with the Bolt Clips in the channels of the Planks as shown in diagram-2.
- STEP 5)** Working along each Plank, lift and twist each Bolt Clip so it is in the locking position clamping the Plank to the Frame. Be sure the overhang of the Planks is even on each side (approximately 17") and that the Bleacher Frame is square. You are now ready to tighten all the Bolt Clips. See diagram-2.
- STEP 6)** Attach Poly End Caps (**item M**) using Self Drilling Screws (**item L**). First tap End Caps on end of each Plank with rubber mallet then using a Drill with a Phillips tip drive Screws into aluminum planks as shown in diagram-2.

ITEM	DESCRIPTION	QTY
A	4 ROW BLEACHER FRAME	4 EA
B	DIAGONAL CROSS BRACING 73 7/8"	6 EA
C	SEAT PLANK 21' anodized dull finish	4 EA
D	FOOT PLANK 21' mill shiny finish	3 EA
E	BOLT CLIP	56 EA
F	CARRIAGE BOLT 5/16" X 1 1/4"	56 EA
G	LOCKING FLANGE NUT 5/16"	56 EA
H	HEX BOLT 3/8" X 1 1/4"	14 EA
I	HEX NUT 3/8"	14 EA
J	SPLIT LOCK WASHER 3/8"	14 EA
K	FLAT WASHER 3/8"	28 EA
L	SELF DRILLING SCREW #8	56 EA
M	POLY END CAP	14 EA

NOTICE: Purchaser of this product must be responsible for compliance with any local or state codes pertaining to this product. Manufacturer, Distributor or any of the representatives will assume no liability for code compliance.

4 ROW - 56 SEAT - 21' LOW RISE BLEACHER

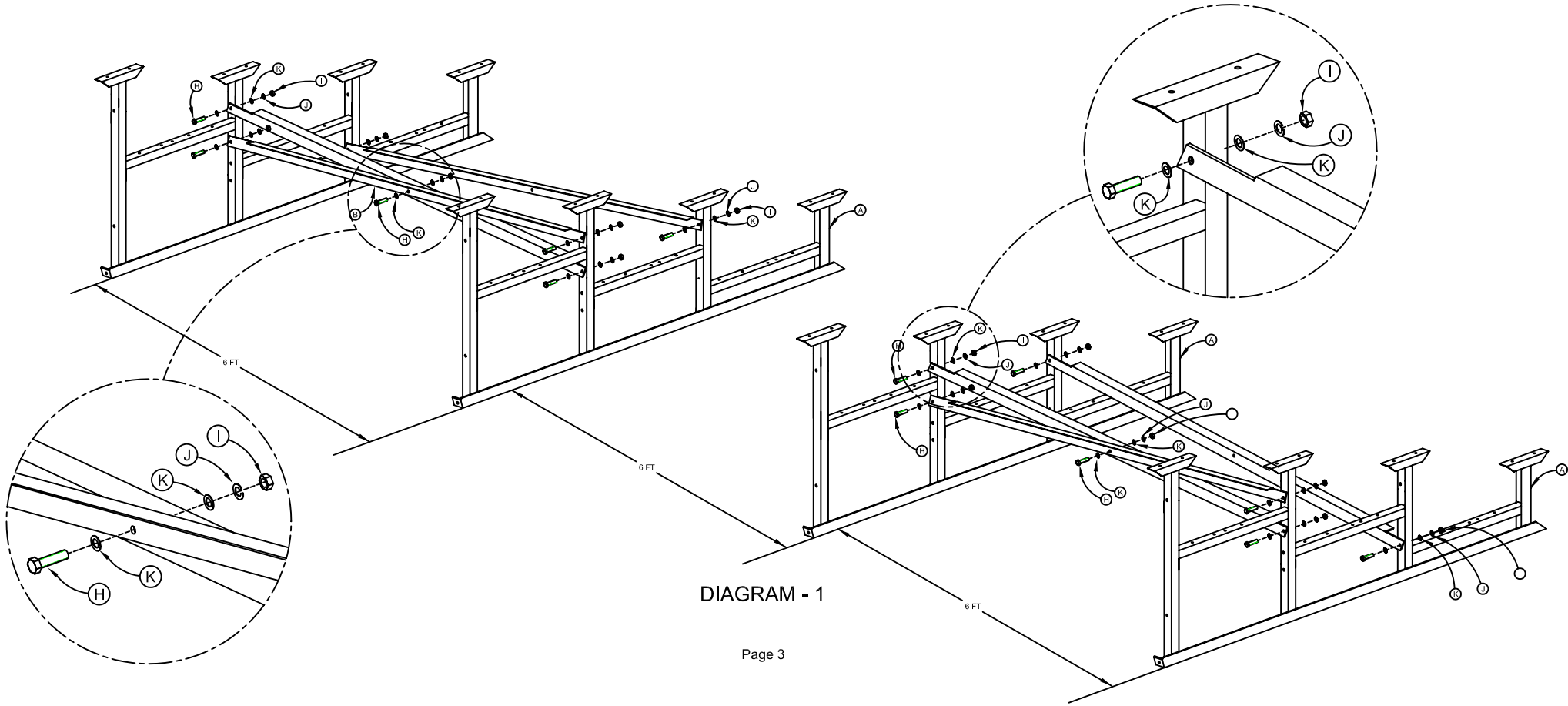


DIAGRAM - 1

4 ROW - 56 SEAT - 21' LOW RISE BLEACHER

