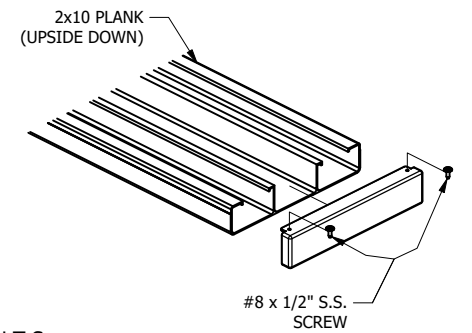
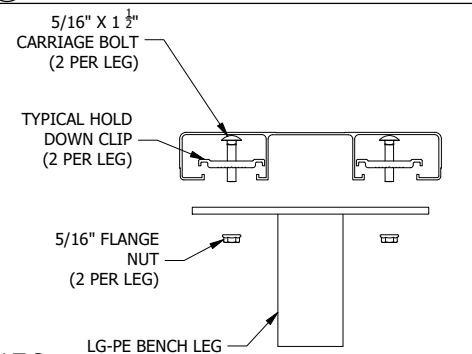


① TYPICAL 2 X 10 END CAP ATTACHMENT



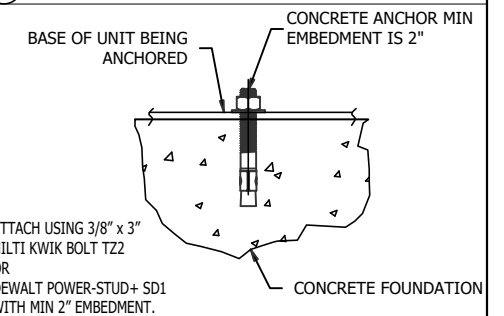
N.T.S.

② TYPICAL 2 X 10 PLANK ATTACHMENT



N.T.S.

③ WEDGE ANCHOR - 3"



N.T.S.



THIS DRAWING AND ALL INFORMATION CONTAINED HEREIN IS THE PROPERTY OF NATIONAL RECREATION SYSTEMS, INC. AND IS NOT TO BE REPRODUCED WITHOUT EXPRESS WRITTEN PERMISSION OF THIS MANUFACTURER. WE ASSUME NO RESPONSIBILITY FOR UNAUTHORIZED USE OF THIS DRAWING. NATIONAL RECREATION SYSTEMS, INC. IS NOT RESPONSIBLE FOR LOCAL PERMITS AND OCCUPANCY REQUIREMENTS.

NATIONAL RECREATION SYSTEMS, INC.

MODEL:
BE-PE02100 ASSEMBLY DWG

DESCRIPTION:
BENCH GALV 21'-0" "PE" SURFACE MOUNT W/O BACKREST

DRAWN BY:
VJHECK

DATE:
7/10/2024

REVISION
0

SCALE:
N.T.S.

SHEET #:
BA.1