

MATERIAL FINISHES	
SEAT PLANK	ANODIZED
RISER PLANK	MILL FINISH
FOOT PLANK	MILL FINISH
CHAIN LINK	GALVANIZED

# NA-0524TPDLX\_CL

## NON-ELEV. ALUM. 5 ROW x 24'-0" TRANSPORTABLE BLEACHER

DRAWING REFERENCE NUMBER: NA-0524TPDLX_CL	
DRAWING SHEET INDEX	
1.CS	COVER SHEET
2.TD	SEATING PLAN
3.BA	BLEACHER ASSEMBLY – BRACING
4.BA	BLEACHER ASSEMBLY SECTION VIEW
5.GS	GROUND SILLS
6.PF	PLANK & FRAMING PLAN
7.VA	VERTICAL AISLE
8.GR	GUARDRAIL ASSEMBLY
9.GR	GUARDRAIL ASSEMBLY
10.TA	TOW KIT ASSEMBLY
11.TA	TOW KIT ASSEMBLY

RECOMMENDED TOOLS		
SOCKET WRENCH	POP RIVET GUN	CORDLESS DRILL
½" DEEP WELL SOCKET	LEVEL	⅝" DRILL BIT
¾" DEEP WELL SOCKET	RUBBER MALLET	⅞" DRILL BIT
TAPE MEASURE	GLOVES	SAFETY GLASSES

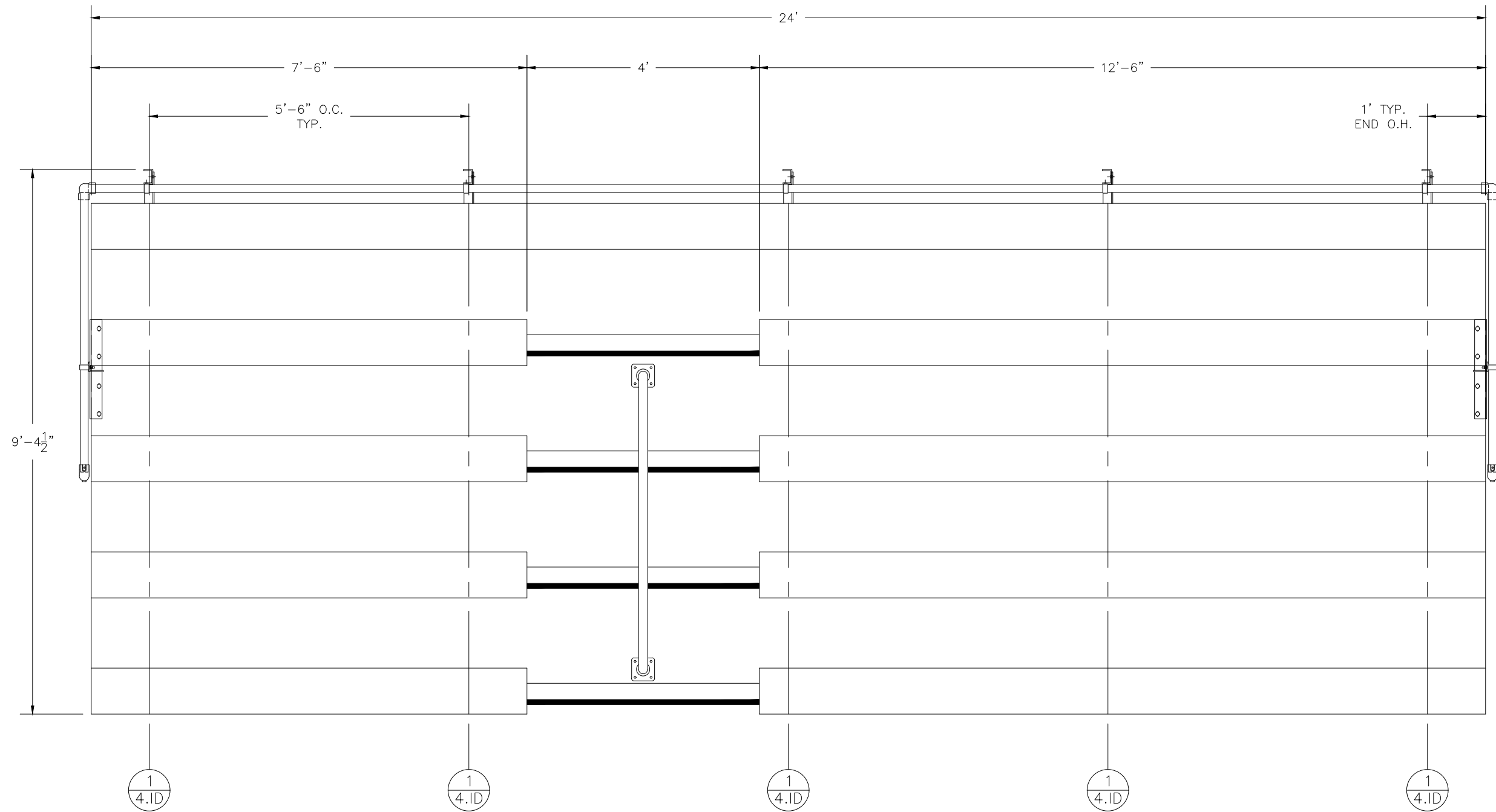


**NRS**  
National Recreation Systems  
A PLAYCORE Company

PH: 888-568-9064 FAX: 260-482-7449 WWW.BLEACHERS.NET

This drawing and all information contained herein is the property of NATIONAL RECREATION SYSTEMS, INC. and is not to be reproduced without the express written permission of this manufacturer. We assume no responsibility for unauthorized use of this drawing. NATIONAL RECREATION SYSTEMS, INC. is not responsible for local permits and occupancy requirements.

MODEL:	NA-0524TPDLX_CL			
DESCRIPTION:	NON-ELEV. 5 ROW x 24'-0" ASSEMBLY COVER SHEET			
DRAWN BY:	JCM	DATE:	6/6/22	REVISION: 0
SCALE:	N.T.S.	SHEET NUMBER:	1.CS	



SECTION LENGTH	GROSS SEATS	ACTUAL SEATS	NO. OF ROWS	NET SEATS
24	16.00	16.00	1	16
7.5	5.00	5.00	4	20
12.5	8.33	8.00	4	32
<b>NET SEATS</b>				<b>68</b>
<b>WHEELCHAIR SPACES</b>				<b>0</b>
<b>TOTAL NET SEATING CAPACITY</b>				<b>68</b>
<b>(BASED ON 18" PER SEAT)</b>				

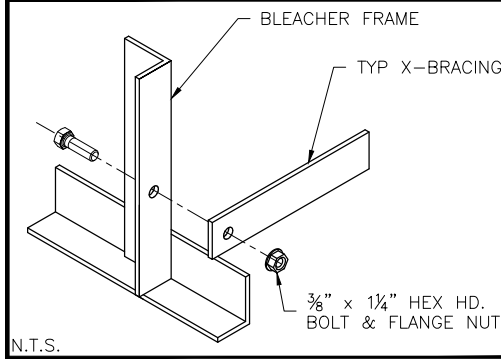


PH: 888-568-9064 FAX: 260-482-7449 WWW.BLEACHERS.NET

This drawing and all information contained herein is the property of NATIONAL RECREATION SYSTEMS, INC. and is not to be reproduced without the express written permission of this manufacturer. We assume no responsibility for unauthorized use of this drawing. NATIONAL RECREATION SYSTEMS, INC. is not responsible for local permits and occupancy requirements.

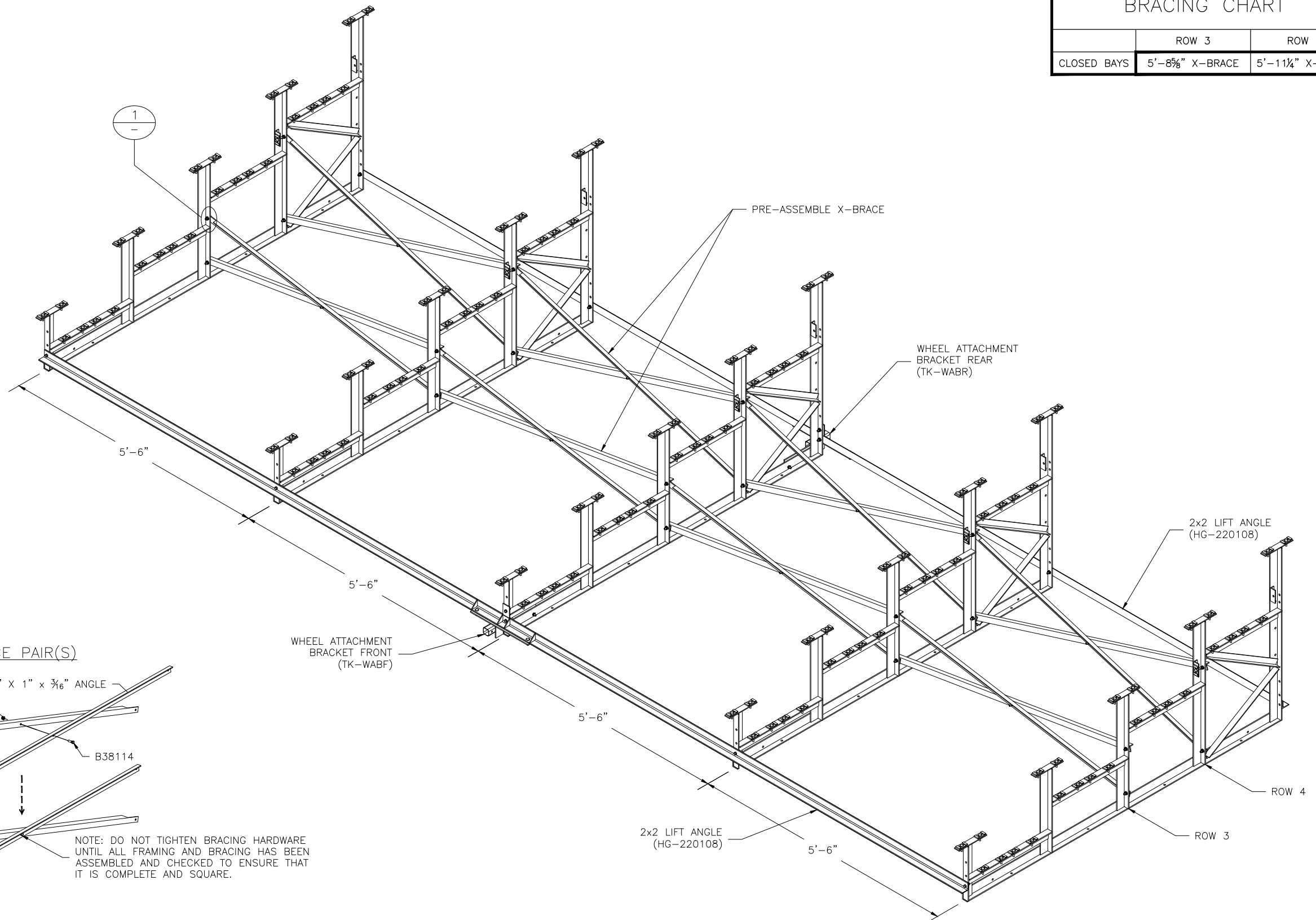
MODEL:	NA-0524TPDLX_CL				
DESCRIPTION:	NON-ELEV. 5 ROW x 24'-0" SEATING PLAN				
DRAWN BY:	JCM	DATE:	6/6/22	REVISION:	0
SCALE:	N.T.S.	SHEET NUMBER:	2.TD		

① TYP. BRACE CONN. — 1 1/4" BOLT

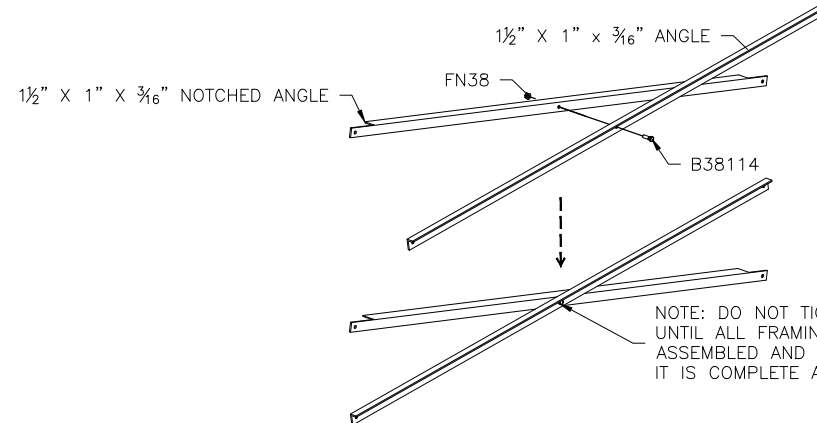


BRACING CHART

	ROW 3	ROW 4
CLOSED BAYS	5'-8 5/8" X-BRACE	5'-11 1/4" X-BRACE



PRE-ASSEMBLE X-BRACE PAIR(S)



NOTE: DO NOT TIGHTEN BRACING HARDWARE UNTIL ALL FRAMING AND BRACING HAS BEEN ASSEMBLED AND CHECKED TO ENSURE THAT IT IS COMPLETE AND SQUARE.

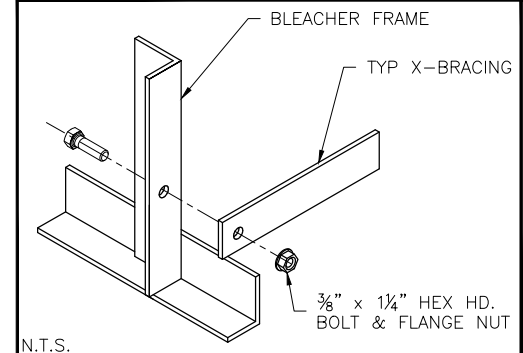


PH: 888-568-9064 FAX: 260-482-7449 WWW.BLEACHERS.NET

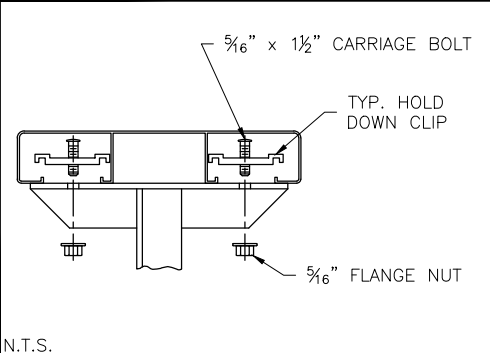
This drawing and all information contained herein is the property of NATIONAL RECREATION SYSTEMS, INC. and is not to be reproduced without the express written permission of this manufacturer. We assume no responsibility for unauthorized use of this drawing. NATIONAL RECREATION SYSTEMS, INC. is not responsible for local permits and occupancy requirements.

MODEL:	NA-0524TPDLX_CL				
DESCRIPTION:	NON-ELEV. 5 ROW x 24'-0" ASSEMBLY — BRACING				
DRAWN BY:	JCM	DATE:	6/6/22	REVISION:	0
SCALE:	N.T.S.	SHEET NUMBER:	3.BA		

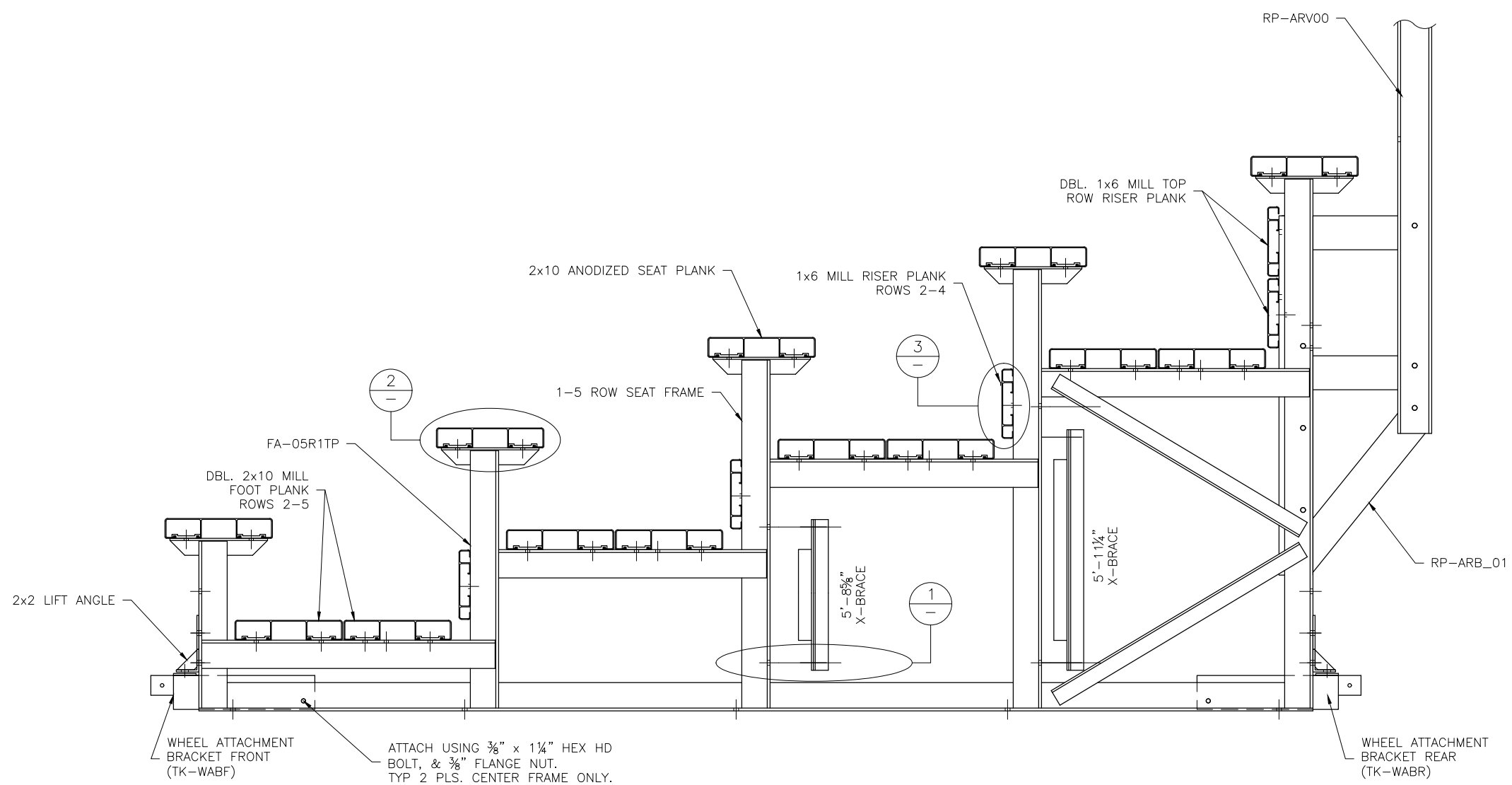
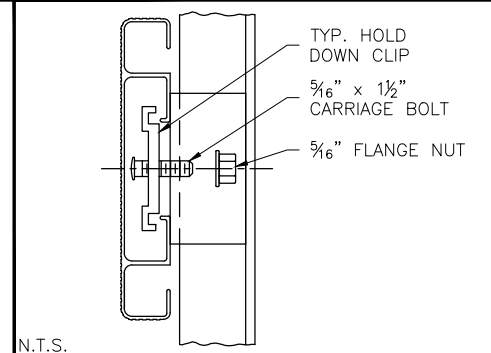
① TYP. BRACE CONN. — 1 1/4" BOLT



② TYP. 2x10 PLANK ATTACHMENT



③ TYP. 1x6 PLANK ATTACHMENT

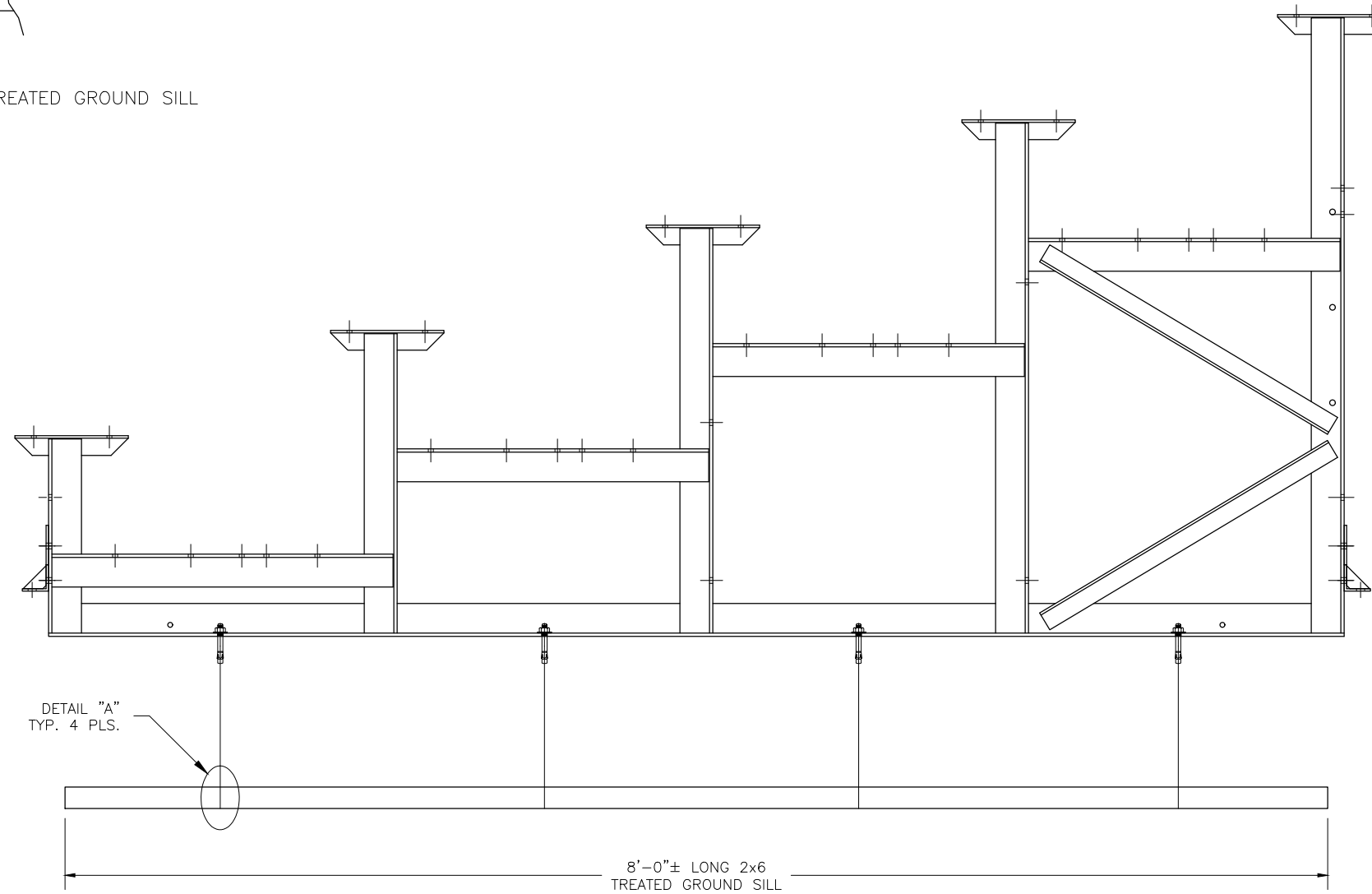
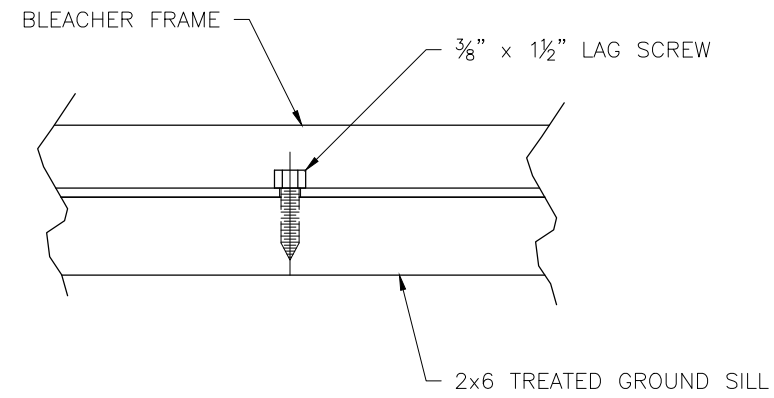


PH: 888-568-9064 FAX: 260-482-7449 WWW.BLEACHERS.NET

This drawing and all information contained herein is the property of NATIONAL RECREATION SYSTEMS, INC. and is not to be reproduced without the express written permission of this manufacturer. We assume no responsibility for unauthorized use of this drawing. NATIONAL RECREATION SYSTEMS, INC. is not responsible for local permits and occupancy requirements.

MODEL: NA-0524TPDLX_CL	
DESCRIPTION: NON-ELEV. 5 ROW x 24'-0" ASSEMBLY SECTION VIEW	
DRAWN BY: JCM	DATE: 6/6/22
REVISION: 0	SCALE: N.T.S.
SHEET NUMBER: 4,BA	

DETAIL 'A' - GROUND SILL ATTACHMENT

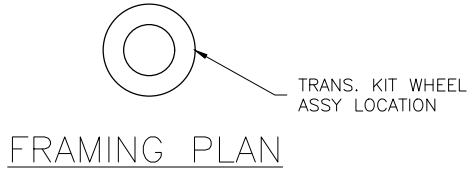
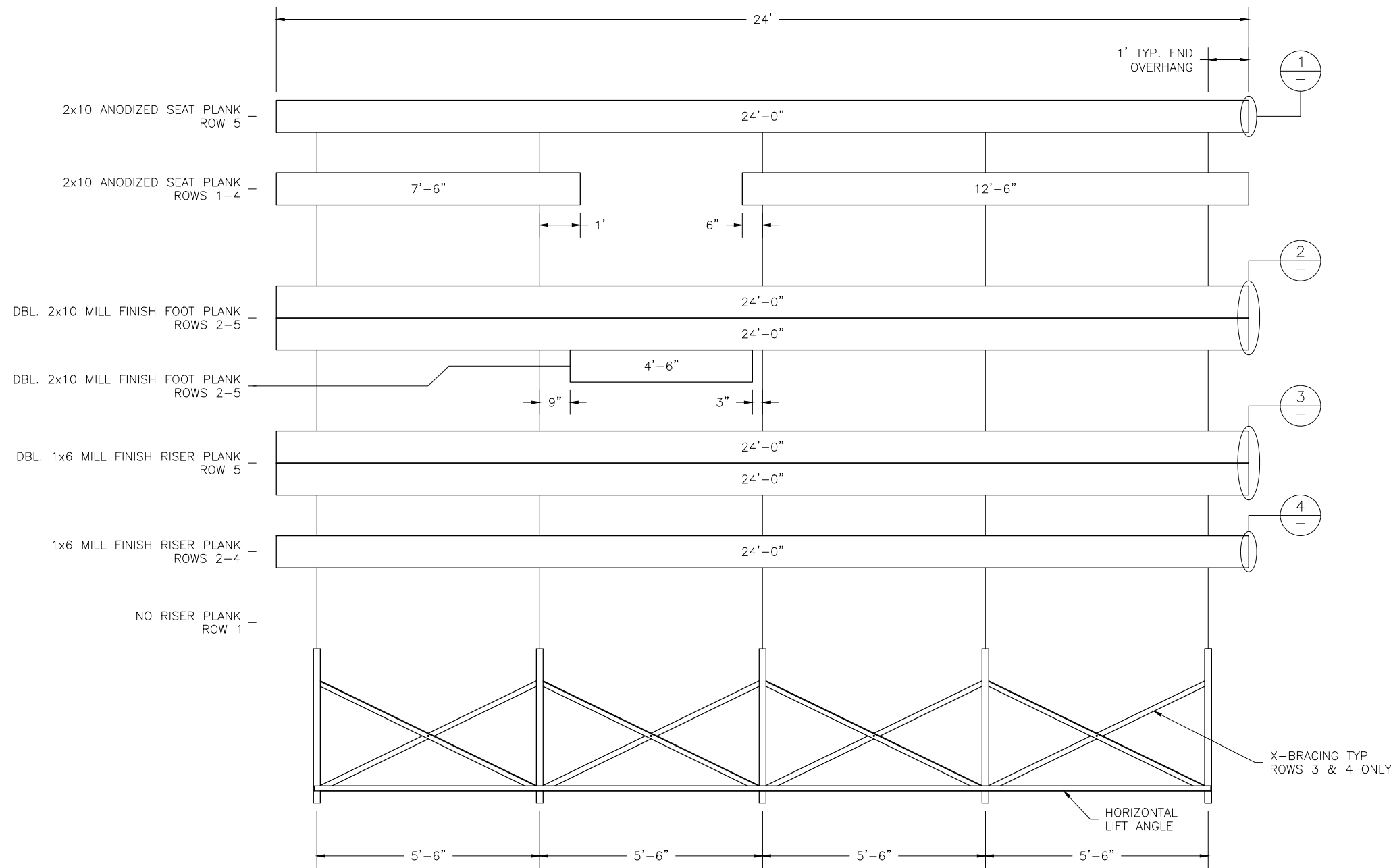


PH: 888-568-9064 FAX: 260-482-7449 WWW.BLEACHERS.NET

This drawing and all information contained herein is the property of NATIONAL RECREATION SYSTEMS, INC. and is not to be reproduced without the express written permission of this manufacturer. We assume no responsibility for unauthorized use of this drawing. NATIONAL RECREATION SYSTEMS, INC. is not responsible for local permits and occupancy requirements.

MODEL: NA-0524TPDLX_CL	
DESCRIPTION: NON-ELEV. 5 ROW x 24'-0" GROUND SILL	
DRAWN BY: JCM	DATE: 6/6/22
REVISION: 0	SCALE: N.T.S.
SHEET NUMBER: 5.GS	

### PLANK PLAN



① TYP. 2x10 ENDCAP ATTACHMENT

#8 x 1/2" STAINLESS SCREW

2x10 PLANK (UPSIDE DOWN)

2x10 PLASTIC ENDCAP ON SEAT PLANKS

2x10 ENDCAP

N.T.S.

---

② DBL. 2x10 ENDCAP ATTACHMENT

#8 x 1/2" STAINLESS SCREW

2x10 PLANK (UPSIDE DOWN)

DBL. 2x10 ENDCAP

N.T.S.

---

③ DBL. 1x6 ENDCAP ATTACHMENT

#8 x 1/2" STAINLESS SCREW

1x6 PLANK (UPSIDE DOWN)

DBL. 1x6 ENDCAP

N.T.S.

---

④ TYP. 1x6 ENDCAP ATTACHMENT

#8 x 1/2" STAINLESS SCREW

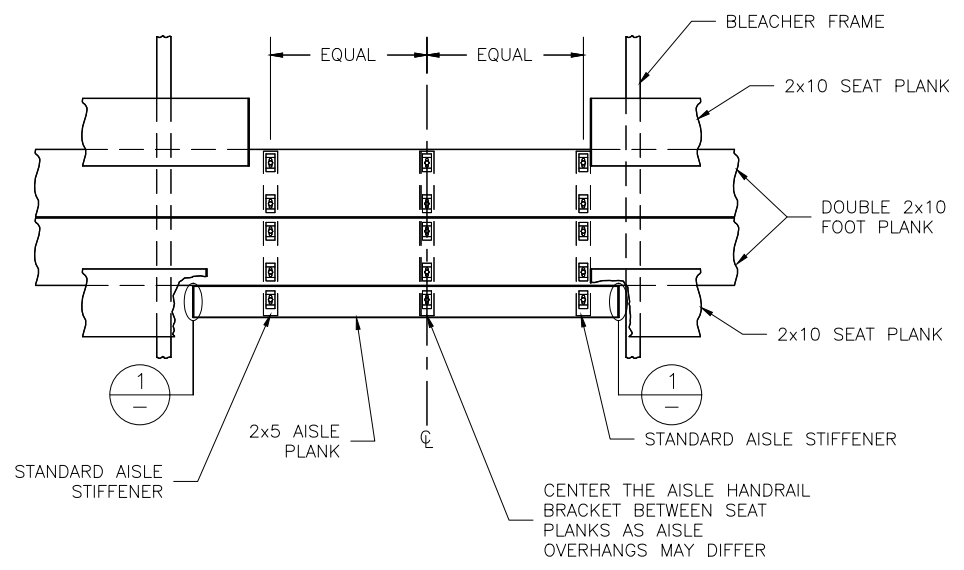
1x6 PLANK (UPSIDE DOWN)

1x6 ENDCAP

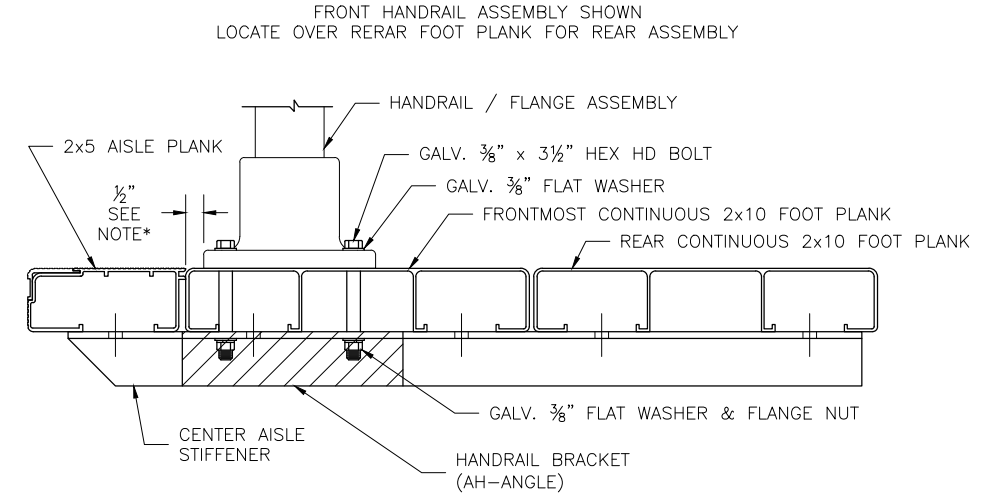
N.T.S.

<p><b>NRS</b> National Recreation Systems A PLAYCORE Company</p> <p>PH: 888-568-9064 FAX: 260-482-7449 WWW.BLEACHERS.NET</p>	This drawing and all information contained herein is the property of NATIONAL RECREATION SYSTEMS, INC. and is not to be reproduced without the express written permission of this manufacturer. We assume no responsibility for unauthorized use of this drawing. NATIONAL RECREATION SYSTEMS, INC. is not responsible for local permits and occupancy requirements.		MODEL: NA-0524TPDLX_CL			
	DESCRIPTION: NON-ELEV. 5 ROW x 24'-0" PLANK & FRAMING PLAN		DRAWN BY: JCM	DATE: 6/6/22	REVISION: 0	SCALE: N.T.S.

**DETAIL A**  
AISLE PLAN TYP ALL ROWS

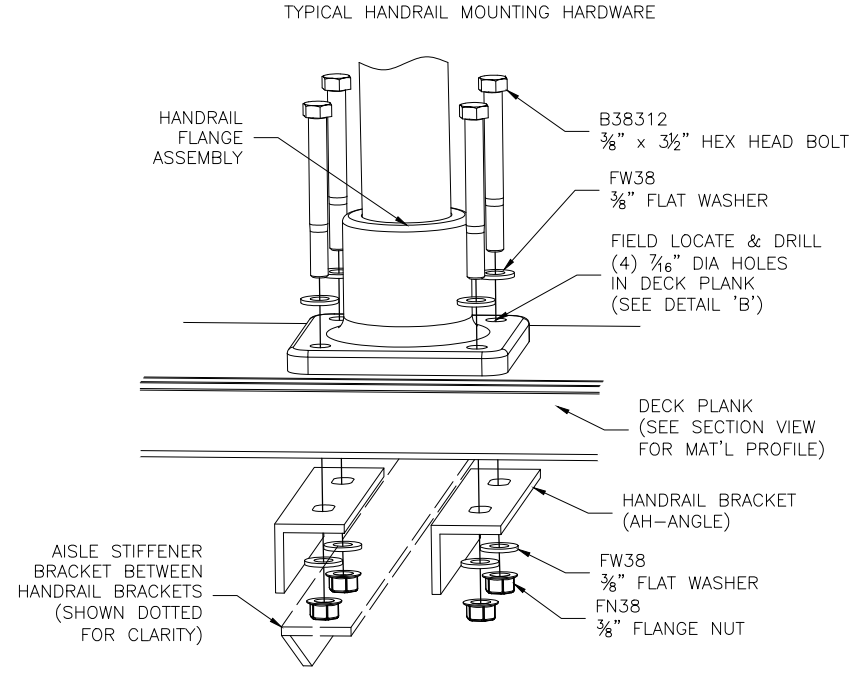


**DETAIL B**  
FRONT HANDRAIL ASSEMBLY SHOWN  
LOCATE OVER REAR FOOT PLANK FOR REAR ASSEMBLY

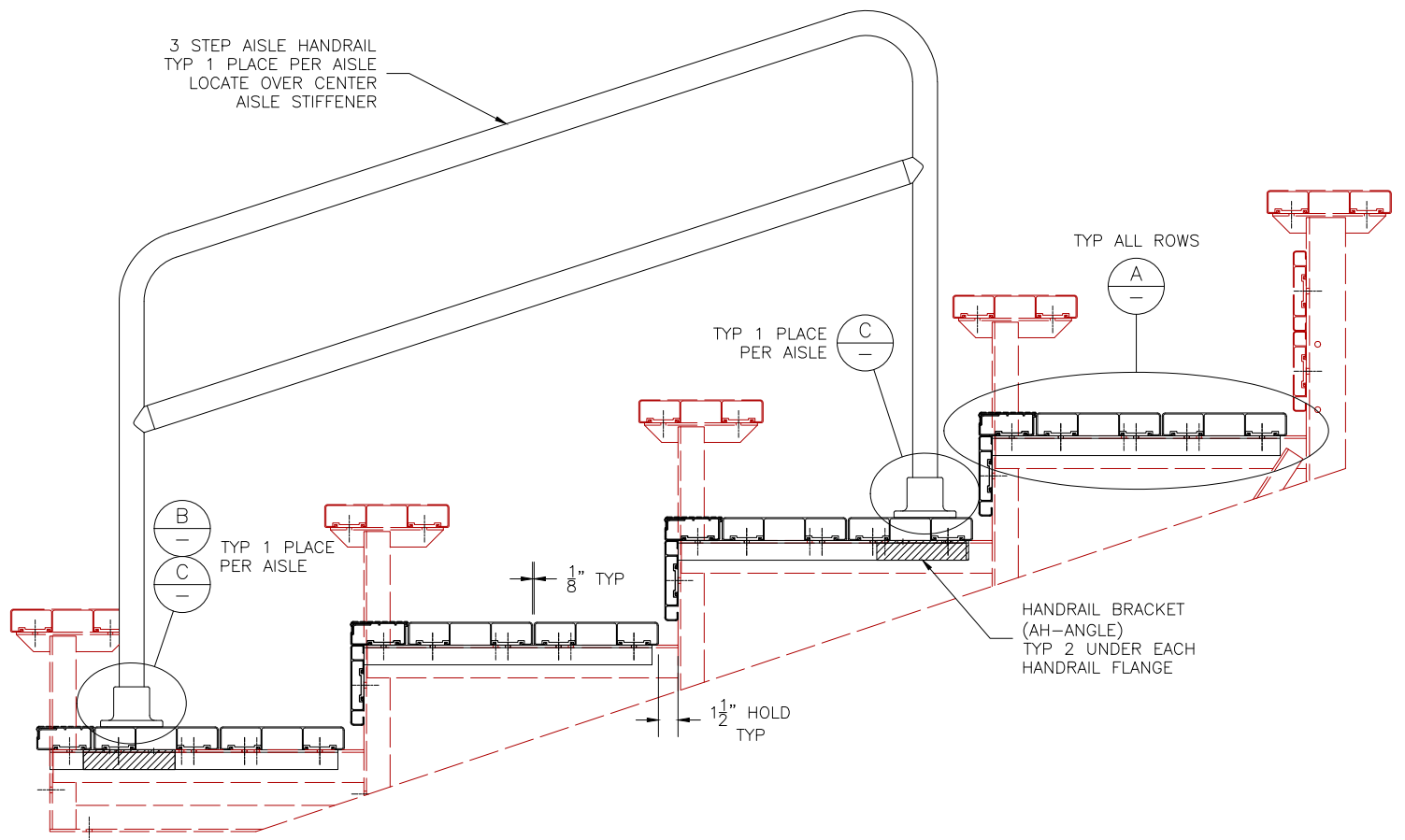


\*NOTE: ALIGN EDGE OF FLANGE APPROX. 1/2" FROM THE LEADING EDGE OF THE FRONTMOST CONTINUOUS 2x10 FOOT PLANK (NOT THE 2x5 AISLE STEP PLANK). SLIGHTLY ADJUST FLANGE LOCATION, IF NECESSARY, SO THAT THE BOLT HOLE IS NOT DRILLED INTO A VERTICAL LEG OF THE PLANK. DRILL  $\phi 7/16$ " HOLES (FOR 3/8" BOLT). ASSEMBLE AS SHOWN USING BOLTS, FLAT WASHERS, & FLANGE NUTS.

**DETAIL C**  
TYPICAL HANDRAIL MOUNTING HARDWARE



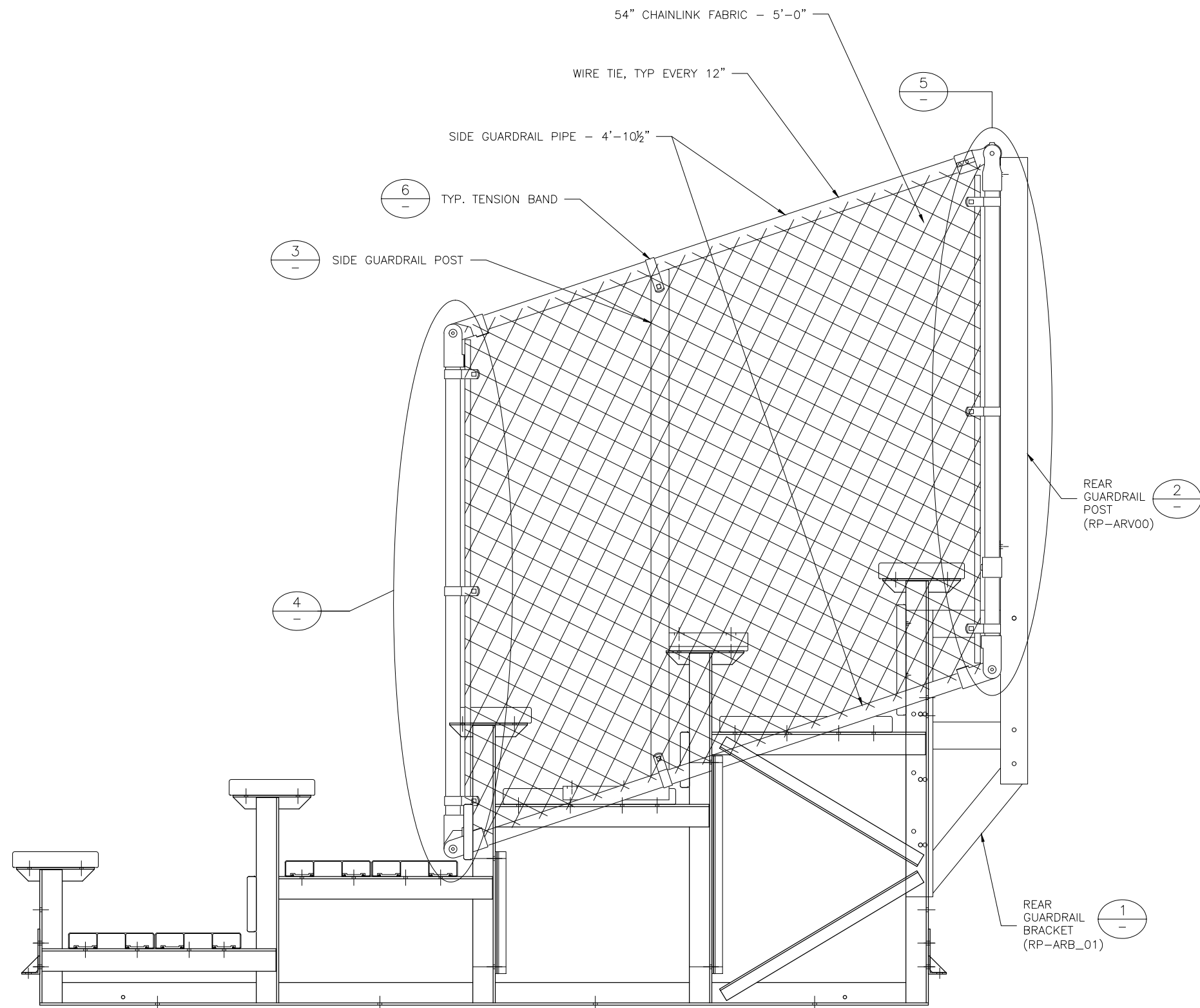
3 STEP AISLE HANDRAIL  
TYP 1 PLACE PER AISLE  
LOCATE OVER CENTER  
AISLE STIFFENER



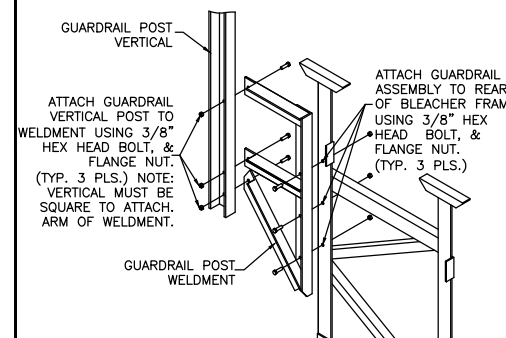
PH: 888-568-9064 FAX: 260-482-7449 WWW.BLEACHERS.NET

This drawing and all information contained herein is the property of NATIONAL RECREATION SYSTEMS, INC. and is not to be reproduced without the express written permission of this manufacturer. We assume no responsibility for unauthorized use of this drawing. NATIONAL RECREATION SYSTEMS, INC. is not responsible for local permits and occupancy requirements.

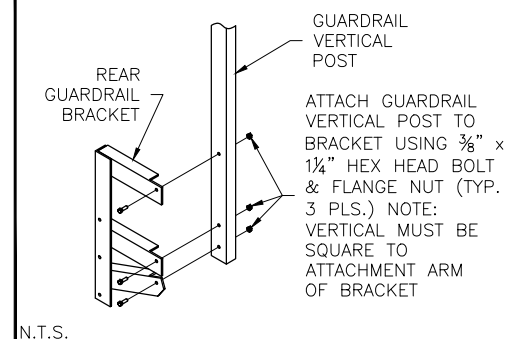
MODEL: NA-0524TPDLX_CL	
DESCRIPTION: NON-ELEV. 5 ROW VERTICAL AISLE ASSEMBLY	
DRAWN BY: JCM	DATE: 6/6/22
REVISION: 0	SCALE: N.T.S.
SHEET NUMBER: 7.VA	



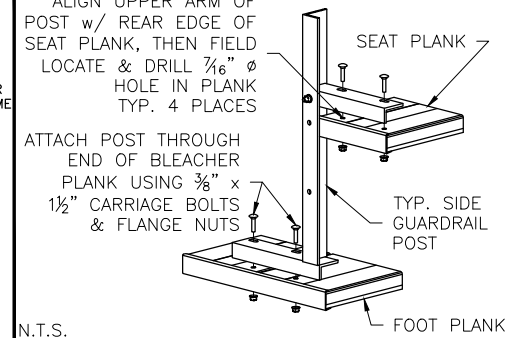
① REAR GUARDRAIL POST ATTACH.



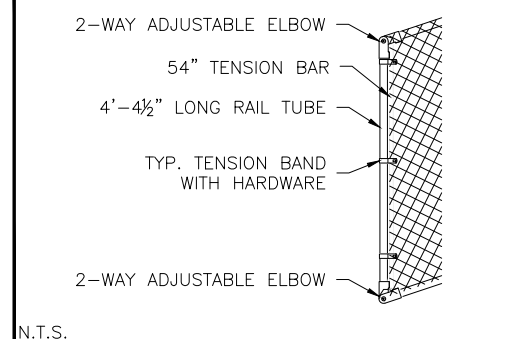
② REAR GUARDRAIL POST ATTACH



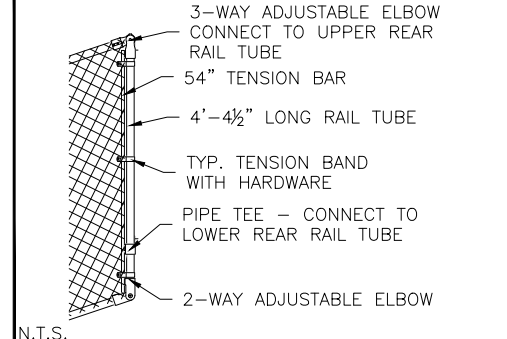
③ SIDE GD. RAIL POST INSTALLATION



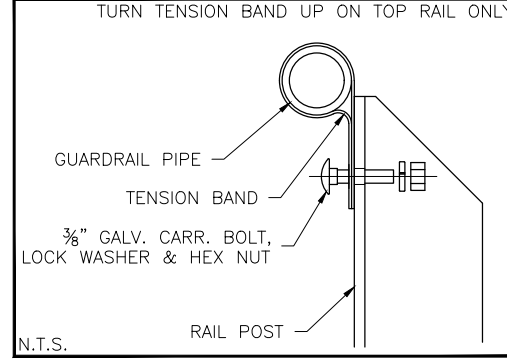
④ VERT. PIPE DETAIL (SIDE, BOTTOM)



⑤ VERT. PIPE DETAIL (SIDE, TOP)



⑥ TENSION BAND ATTACHMENT

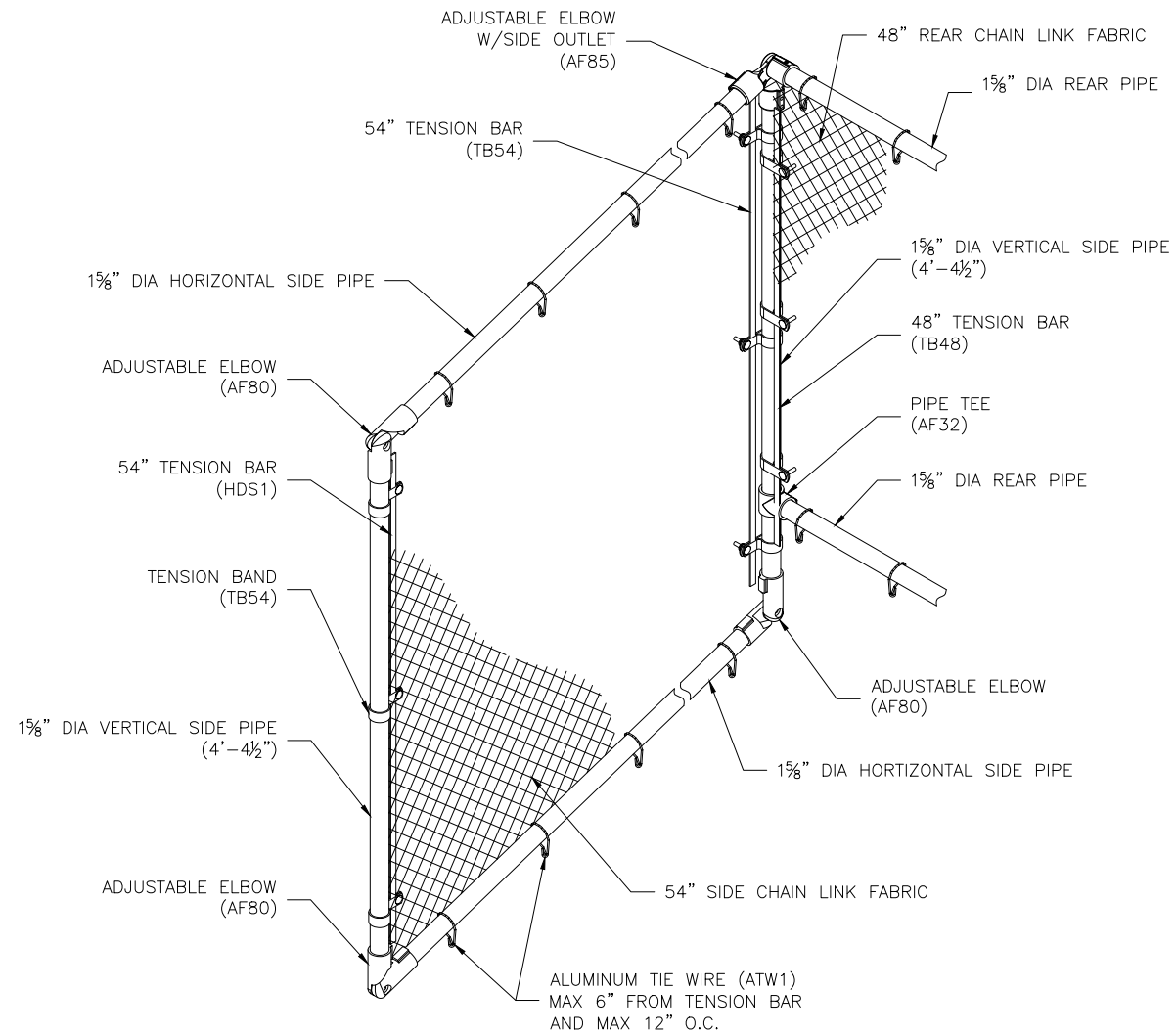


**NRS**  
National Recreation Systems  
A PLAYCORE Company  
PH: 888-568-9064 FAX: 260-482-7449 WWW.BLEACHERS.NET

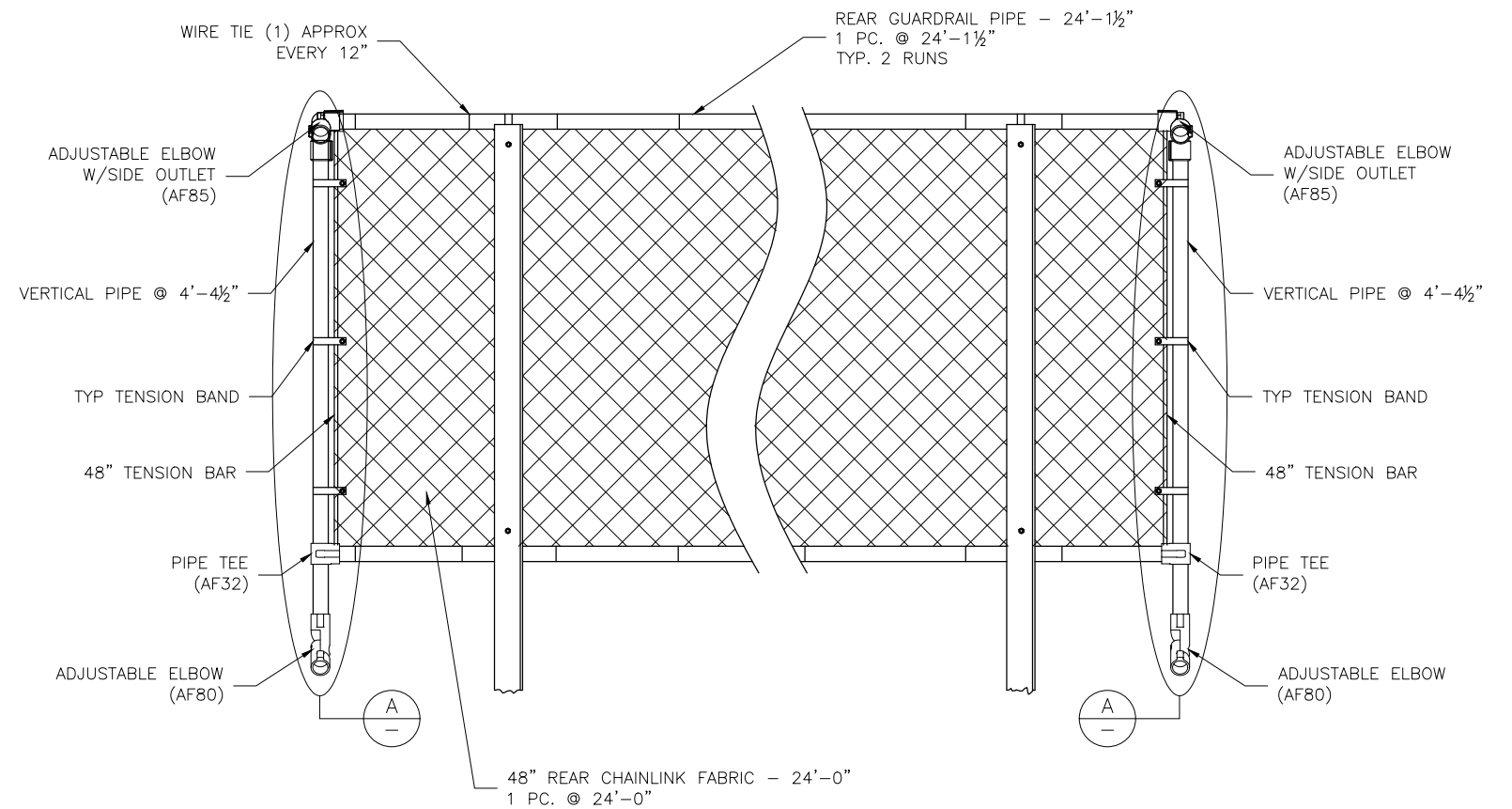
This drawing and all information contained herein is the property of NATIONAL RECREATION SYSTEMS, INC. and is not to be reproduced without the express written permission of this manufacturer. We assume no responsibility for unauthorized use of this drawing. NATIONAL RECREATION SYSTEMS, INC. is not responsible for local permits and occupancy requirements.

MODEL:	NA-0524TPDLX_CL								
DESCRIPTION:	NON-ELEV. 5 ROW x 24'-0" GUARDRAIL ASSEMBLY								
DRAWN BY:	JCM	DATE:	6/6/22	REVISION:	0	SCALE:	N.T.S.	SHEET NUMBER:	8.GR

**DETAIL A**  
SPECTATOR RIGHT SIDE GUARDRAIL CONNECTION



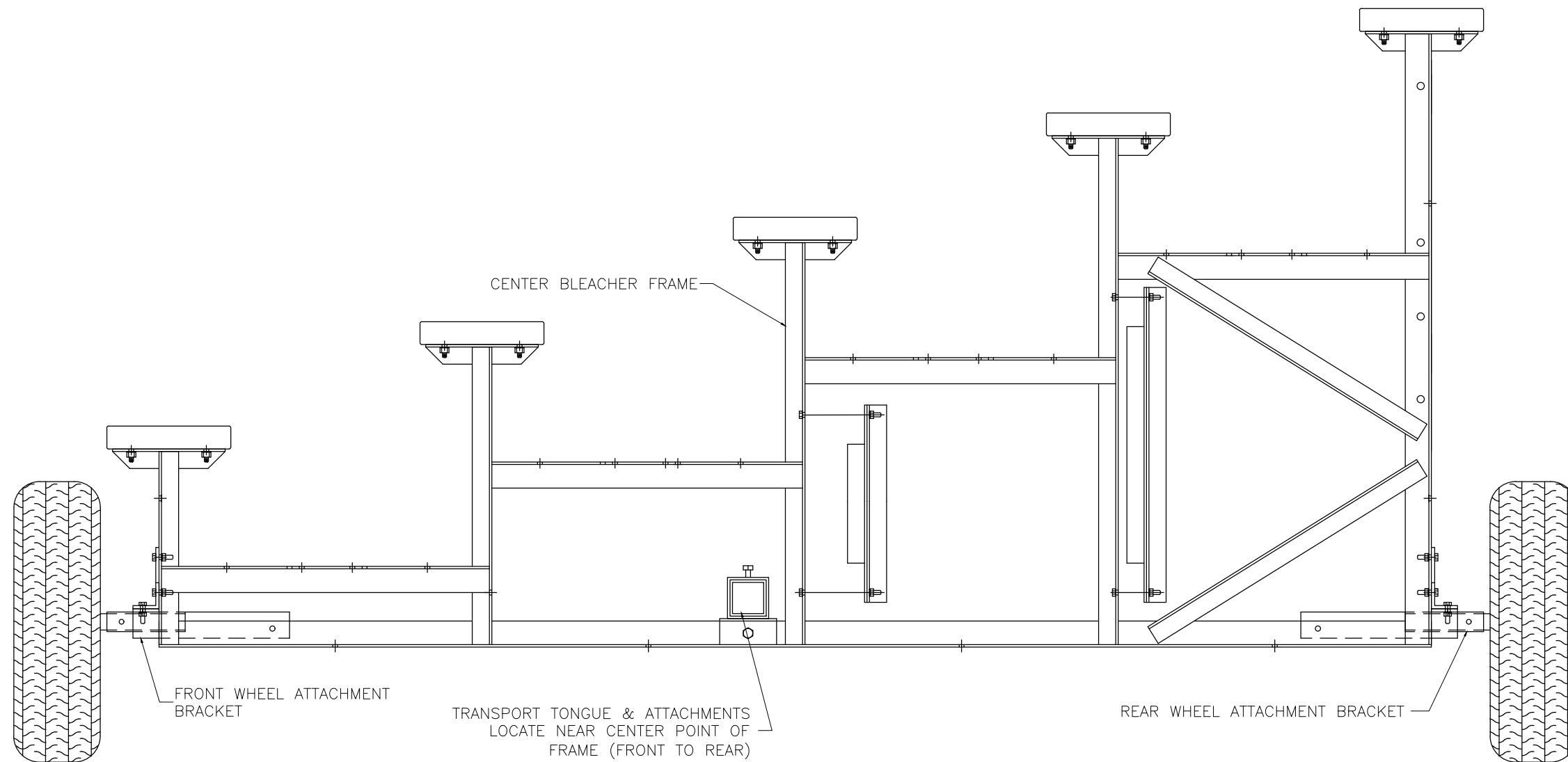
**REAR GUARDRAIL**  
AS VIEWED FROM THE REAR



PH: 888-568-9064 FAX: 260-482-7449 WWW.BLEACHERS.NET

This drawing and all information contained herein is the property of NATIONAL RECREATION SYSTEMS, INC. and is not to be reproduced without the express written permission of this manufacturer. We assume no responsibility for unauthorized use of this drawing. NATIONAL RECREATION SYSTEMS, INC. is not responsible for local permits and occupancy requirements.

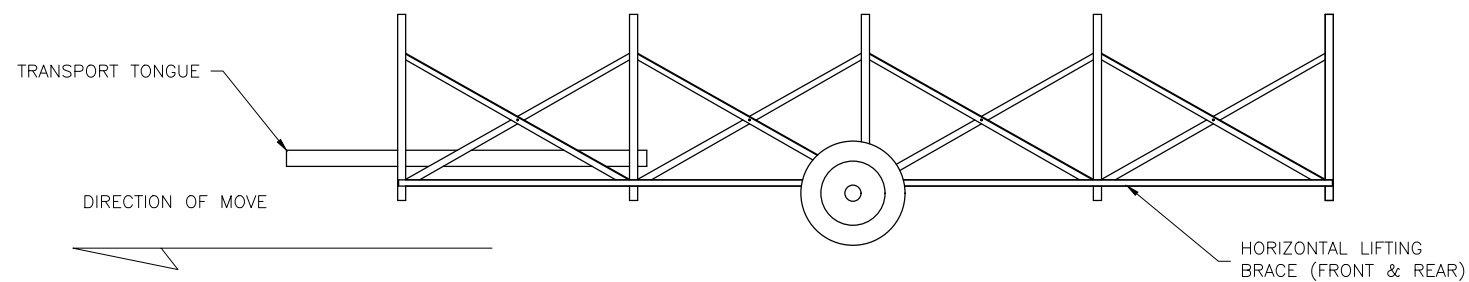
MODEL: NA-0524TPDLX_CL	
DESCRIPTION: NON-ELEV. 5 ROW x 24'-0" GUARDRAIL ASSEMBLY	
DRAWN BY: JCM	DATE: 6/6/22
REVISION: 0	SCALE: N.T.S.
SHEET NUMBER: 9.GR	



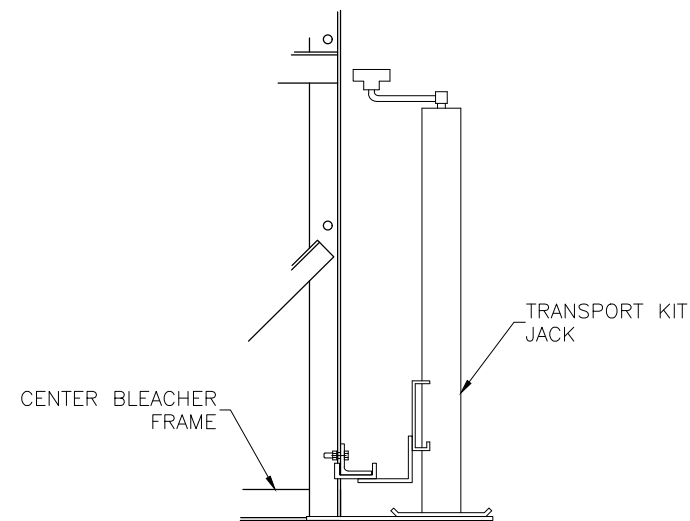
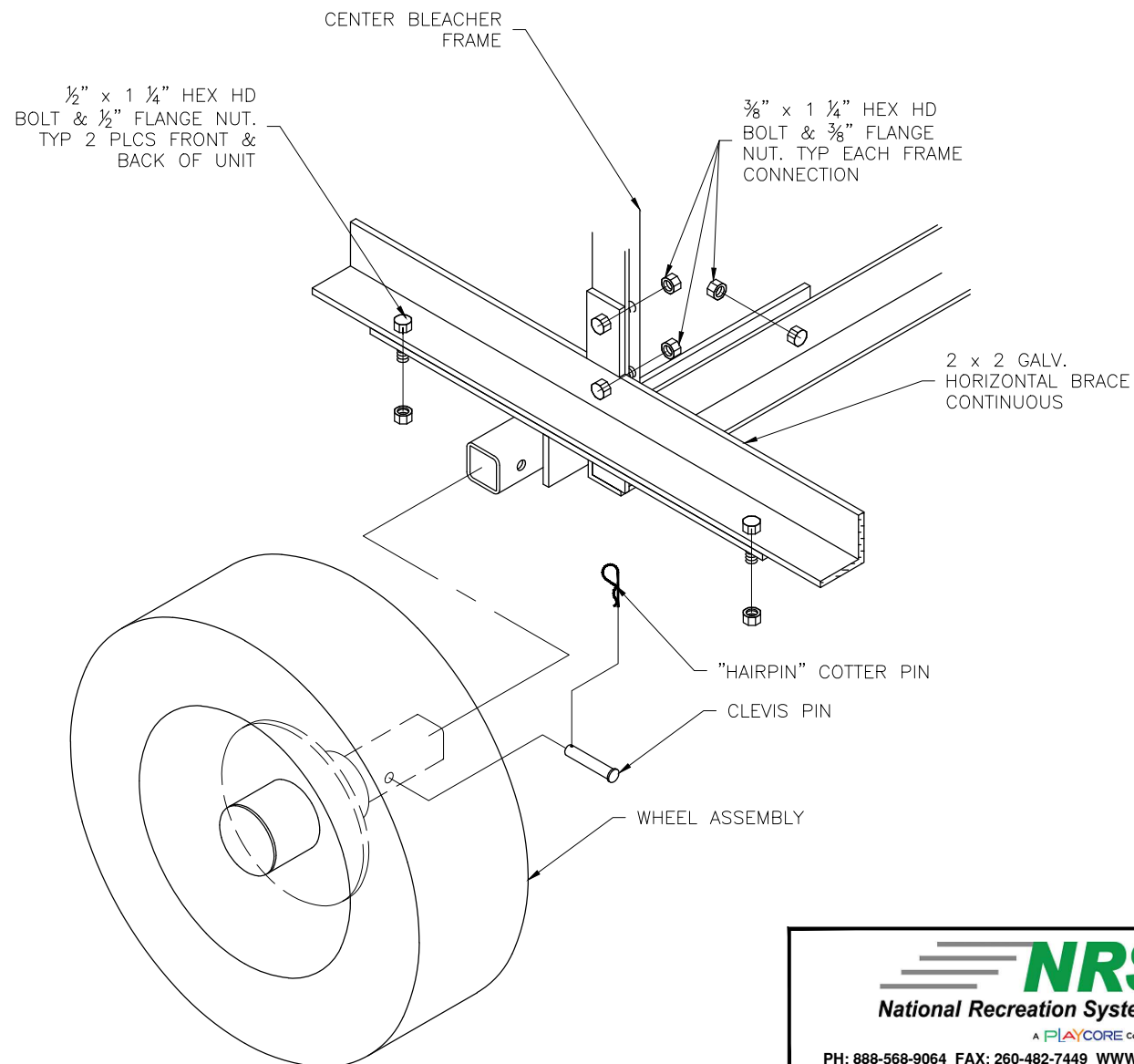
PH: 888-568-9064 FAX: 260-482-7449 WWW.BLEACHERS.NET

This drawing and all information contained herein is the property of NATIONAL RECREATION SYSTEMS, INC. and is not to be reproduced without the express written permission of this manufacturer. We assume no responsibility for unauthorized use of this drawing. NATIONAL RECREATION SYSTEMS, INC. is not responsible for local permits and occupancy requirements.

MODEL: NA-0524TPDLX_CL	
DESCRIPTION: NON-ELEV. 5 ROW x 24'-0" TRANSPORT KIT ASSEMBLY	
DRAWN BY: JCM	DATE: 6/6/22
REVISION: 0	SCALE: N.T.S.
SHEET NUMBER: 10.TA	

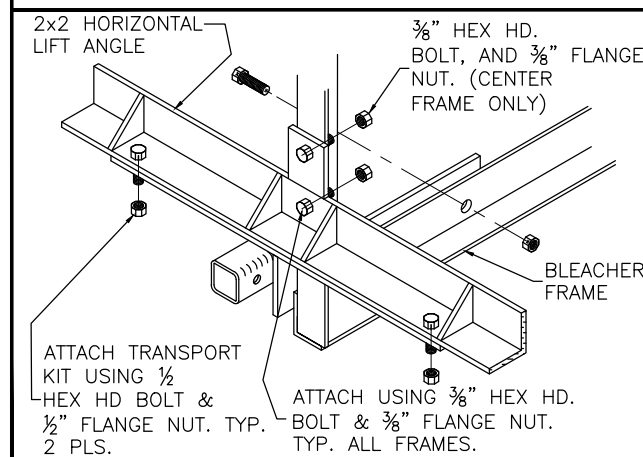


**WHEEL ASSEMBLY**

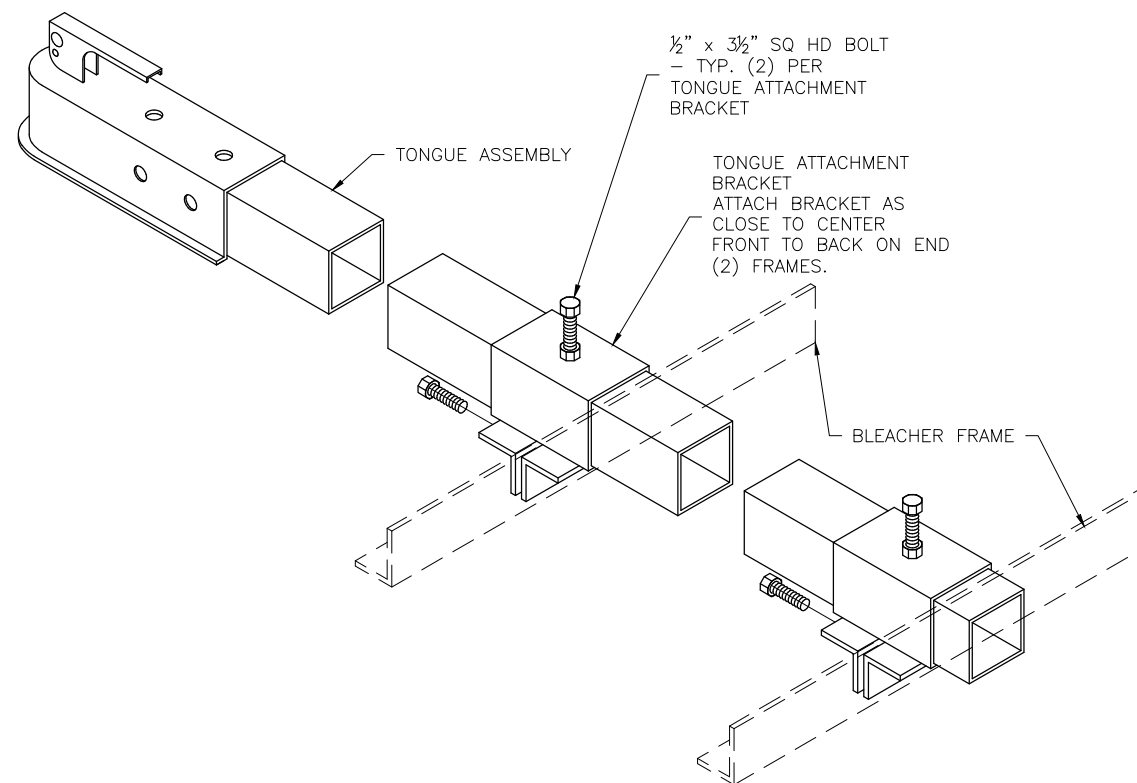


PLACE JACK ON UNDER SIDE OF HORIZONTAL BRACE APPROX. 14"-18" AWAY FROM CENTER FRAME. BLEACHER SHOULD ALWAYS BE ON SOLID, LEVEL GROUND, AND BE STABILIZED TO PREVENT MOVEMENT WHEN USING JACK.

**HORIZ. LIFT ANGLE ATTACHMENT**



**TONGUE ASSEMBLY**



PH: 888-568-9064 FAX: 260-482-7449 WWW.BLEACHERS.NET

This drawing and all information contained herein is the property of NATIONAL RECREATION SYSTEMS, INC. and is not to be reproduced without the express written permission of this manufacturer. We assume no responsibility for unauthorized use of this drawing. NATIONAL RECREATION SYSTEMS, INC. is not responsible for local permits and occupancy requirements.

MODEL:	NA-0524TPDLX_CL				
DESCRIPTION:	NON-ELEV. 5 ROW x 24'-0" TRANSPORT KIT ASSEMBLY				
DRAWN BY:	JCM	DATE:	6/6/22	REVISION:	0
SCALE:	N.T.S.	SHEET NUMBER:	11.TA		