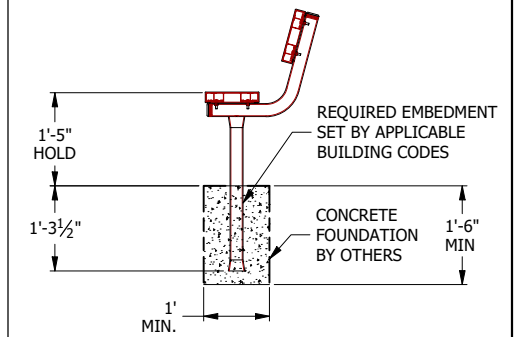
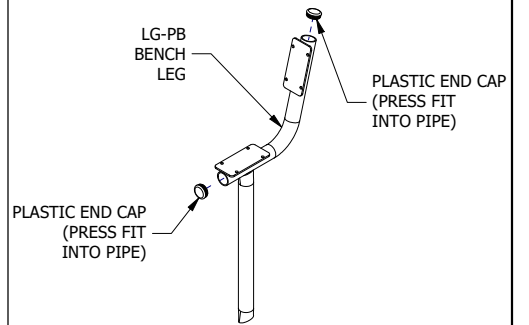


① CONCRETE EMBEDMENT DETAIL



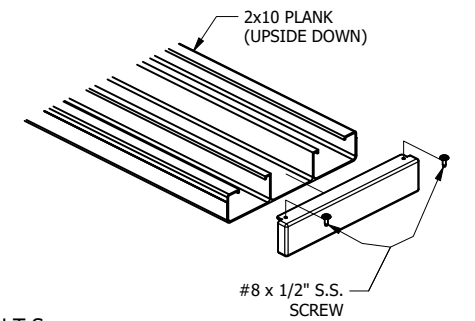
N.T.S.

② PIPE END CAP ATTACHMENT



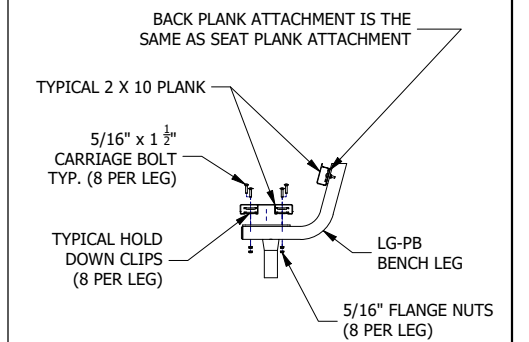
N.T.S.

③ TYPICAL 2 X 10 END CAP ATTACHMENT



N.T.S.

④ TYPICAL 2 X 10 PLANK ATTACHMENT



N.T.S.



THIS DRAWING AND ALL INFORMATION CONTAINED HEREIN IS THE PROPERTY OF NATIONAL RECREATION SYSTEMS, INC. AND IS NOT TO BE REPRODUCED WITHOUT EXPRESS WRITTEN PERMISSION OF THIS MANUFACTURER. WE ASSUME NO RESPONSIBILITY FOR UNAUTHORIZED USE OF THIS DRAWING. NATIONAL RECREATION SYSTEMS, INC. IS NOT RESPONSIBLE FOR LOCAL PERMITS AND OCCUPANCY REQUIREMENTS.

NATIONAL RECREATION SYSTEMS, INC.

MODEL:
BE-PB00800 ASSEMBLY DWG

DESCRIPTION:
BENCH GALV 8'-0" "PB" PERMANENT WITH BACKREST

DRAWN BY:
VJHECK

DATE:
7/1/2024

REVISION
0

SCALE:
N.T.S.

SHEET #:
BA.1