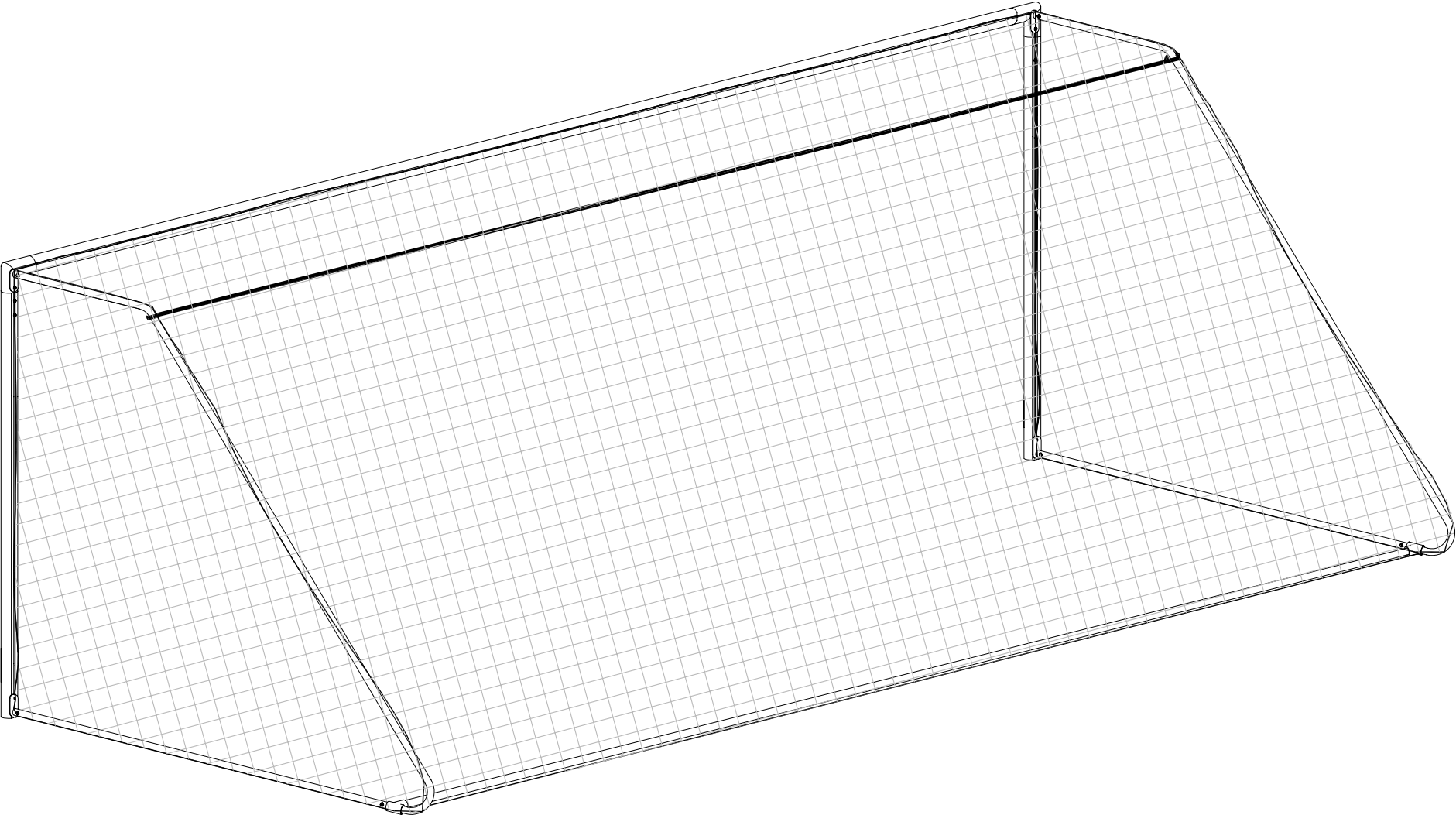
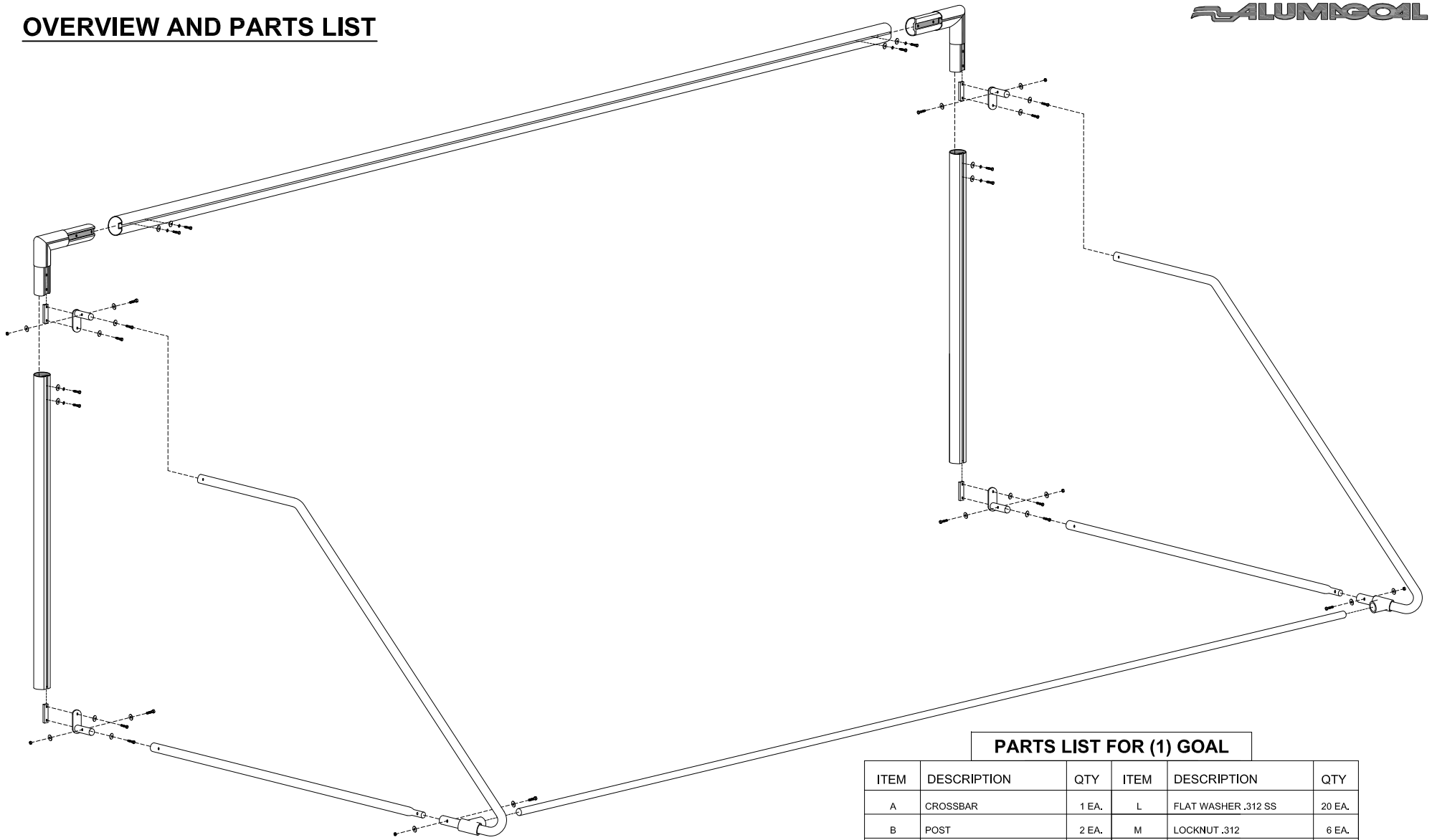


CLASSIC ALUMAGOAL



OVERVIEW AND PARTS LIST



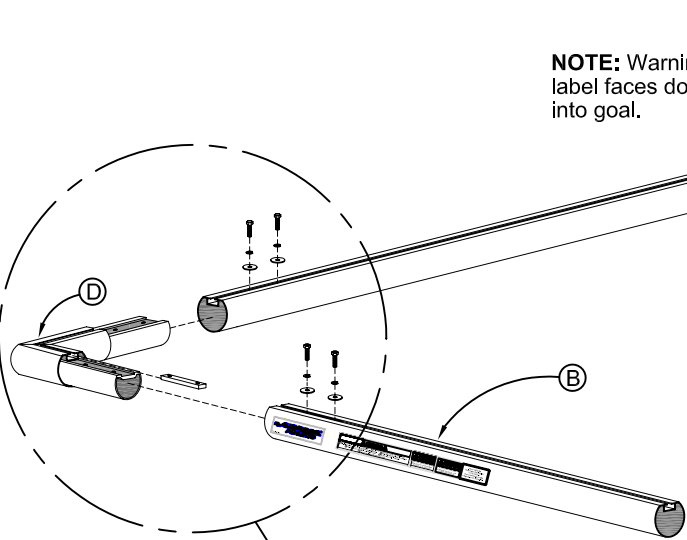
ASSEMBLY WILL REQUIRE 2-3 ADULTS.

PARTS LIST FOR (1) GOAL

ITEM	DESCRIPTION	QTY	ITEM	DESCRIPTION	QTY
A	CROSSBAR	1 EA.	L	FLAT WASHER .312 SS	20 EA.
B	POST	2 EA.	M	LOCKNUT .312	6 EA.
C	BACKSTAY EXTENSION	2 EA.	N	LOCK WASHER .375 SS	8 EA.
D	CROSSBAR CORNER	2 EA.	O	NET CLIP	37 EA.
E	BACKSTAY	2 EA.	P	NET	1 EA.
F	BACKSTAY SUPPORT	4 EA.	Q	BACKSTAY BOTTOM BAR	1 EA.
G	CLAMP BLOCK	4 EA.	R	VELCRO NET STRAPS	1 SET
H	HEX BOLT .375 X 1.75" SS	8 EA.	S	ANCHORS	4 EA.
I	FLAT WASHER .375 SS	8 EA.	T	T-FITTINGS	2 EA.
J	HEX BOLT .312 X .875" SS	8 EA.	U	HEX KEY	1 EA.
K	BUTTON HEAD BOLT .312 X 2.375" SS	6 EA.			

POST AND CROSSBAR ASSEMBLY

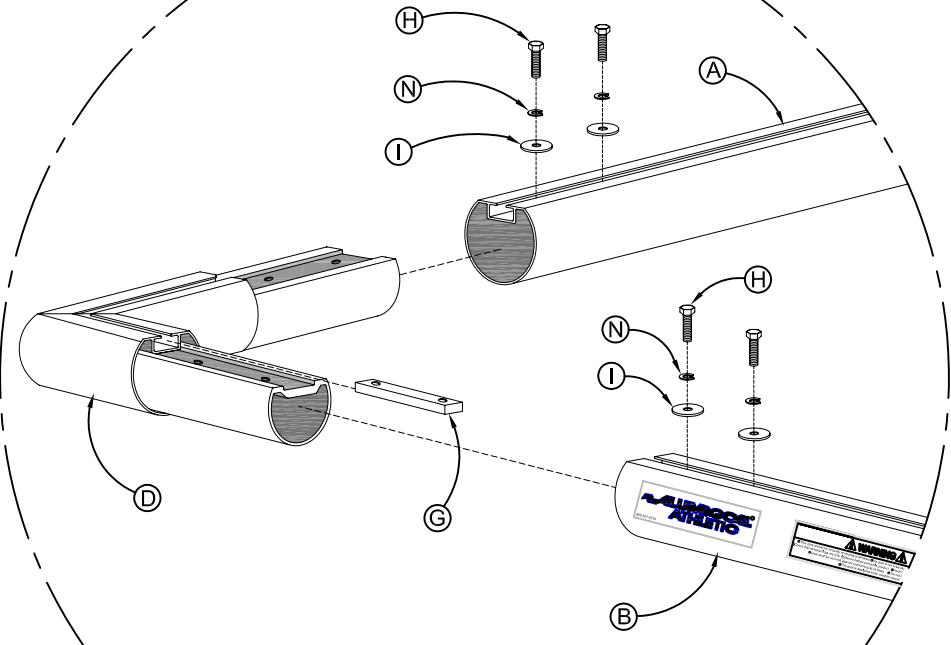
NOTE: Warning label faces down into goal.



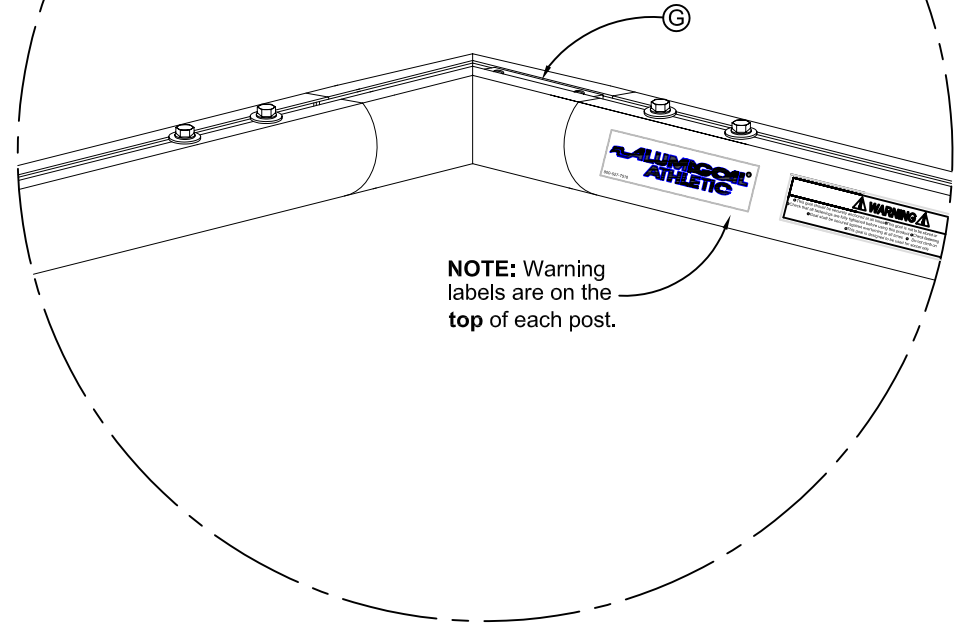
STEP - 1

- Place the parts displayed on this page face down as shown, on grass or artificial turf.
- Slide one Clamp Block (ITEM-G) into the net clip channel of the Crossbar Corner (ITEM-D).
- Attach Post (ITEM-B) and Crossbar (ITEM-A) to the Crossbar Corner (ITEM-D) as shown. Tighten these Bolts (ITEM-H) securely at this time.

EXPLODED



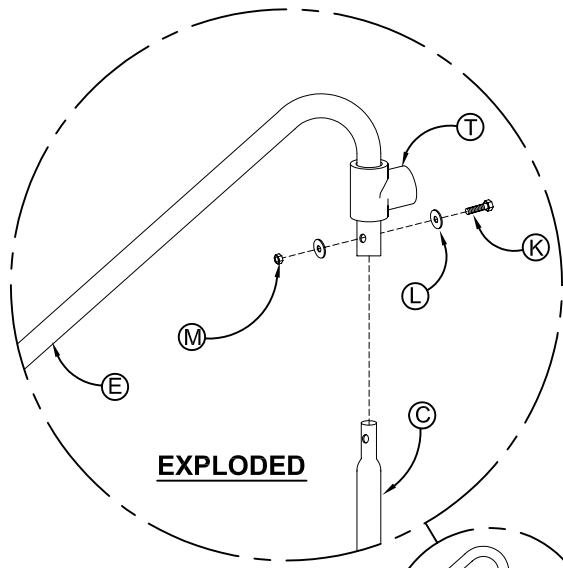
ASSEMBLED



NOTE: Warning labels are on the top of each post.

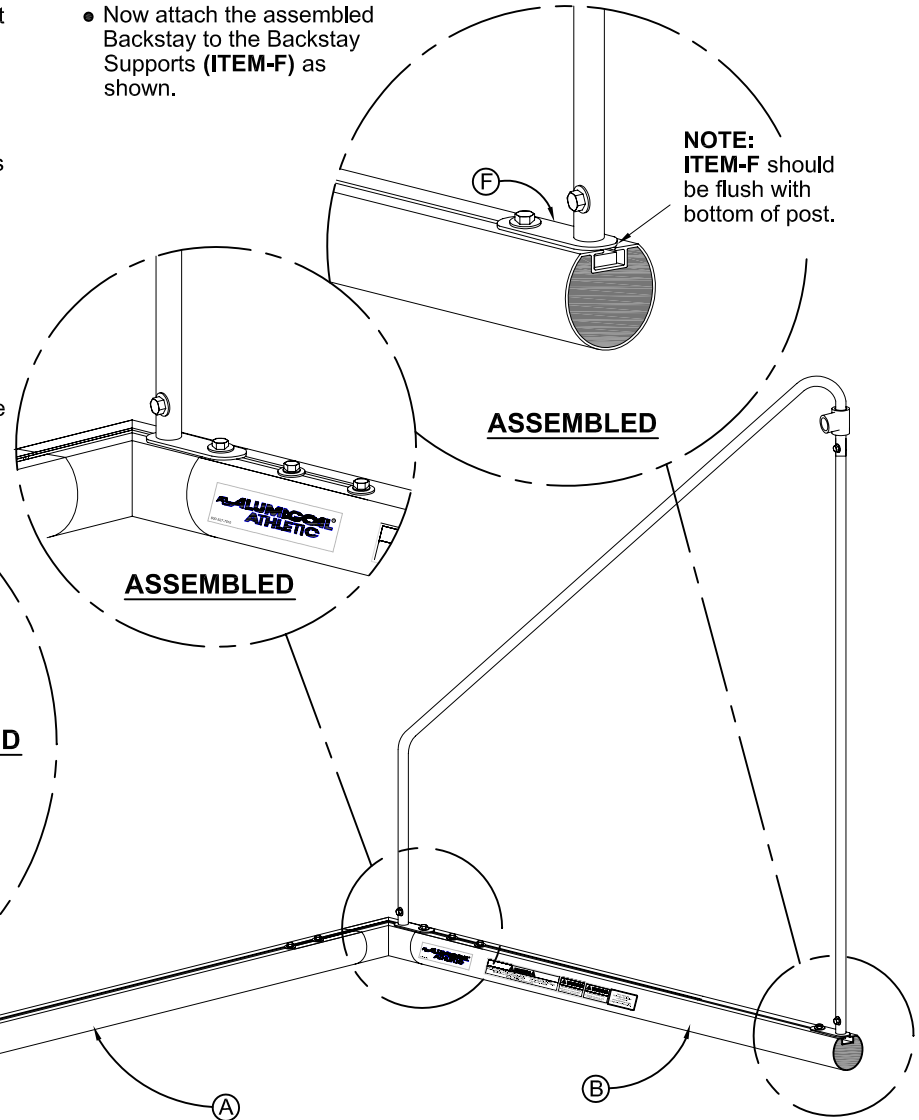
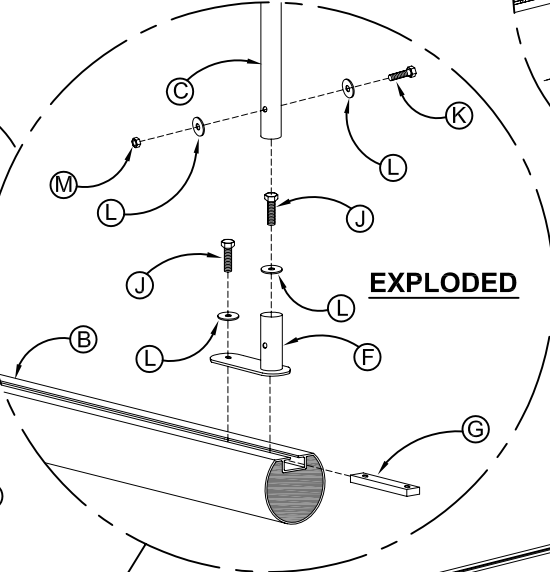
BACKSTAY ASSEMBLY

STEP - 2



- Slide one Clamp Block (**ITEM-G**) into the net clip channel at the bottom of Post (**ITEM-B**) as shown.
- Attach Backstay Supports (**ITEM-F**) to the 4 previously installed Clamp Blocks (**ITEM-G**). Do not fully tighten Backstay Supports at this time.
- Slide T-Fitting (**ITEM-T**) onto Backstay (**ITEM-E**).
- Assemble Backstay (**ITEM-E**) to the Backstay Extension (**ITEM-C**) as shown.
- Check that Backstay Supports (**ITEM-F**) are in correct alignment with the Backstay before fully tightening the bolts.

- Now attach the assembled Backstay to the Backstay Supports (**ITEM-F**) as shown.



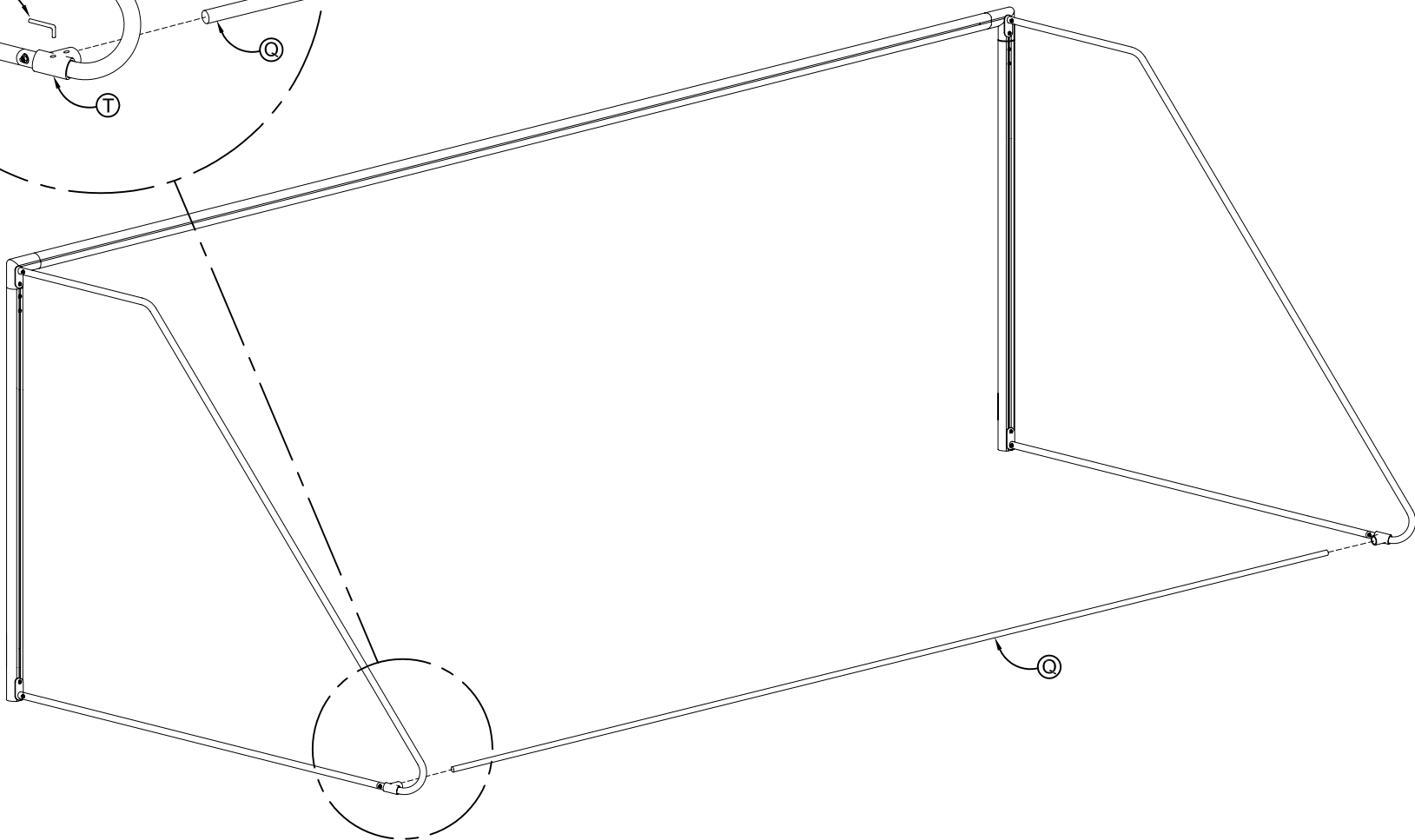
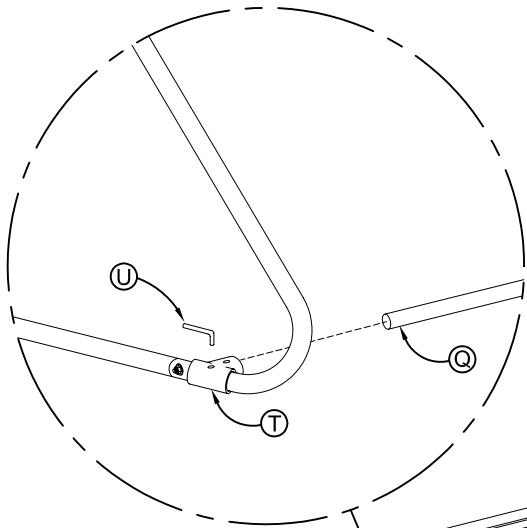
NOTE:
ITEM-F should be flush with bottom of post.

NOTE: Warning label faces down into goal.

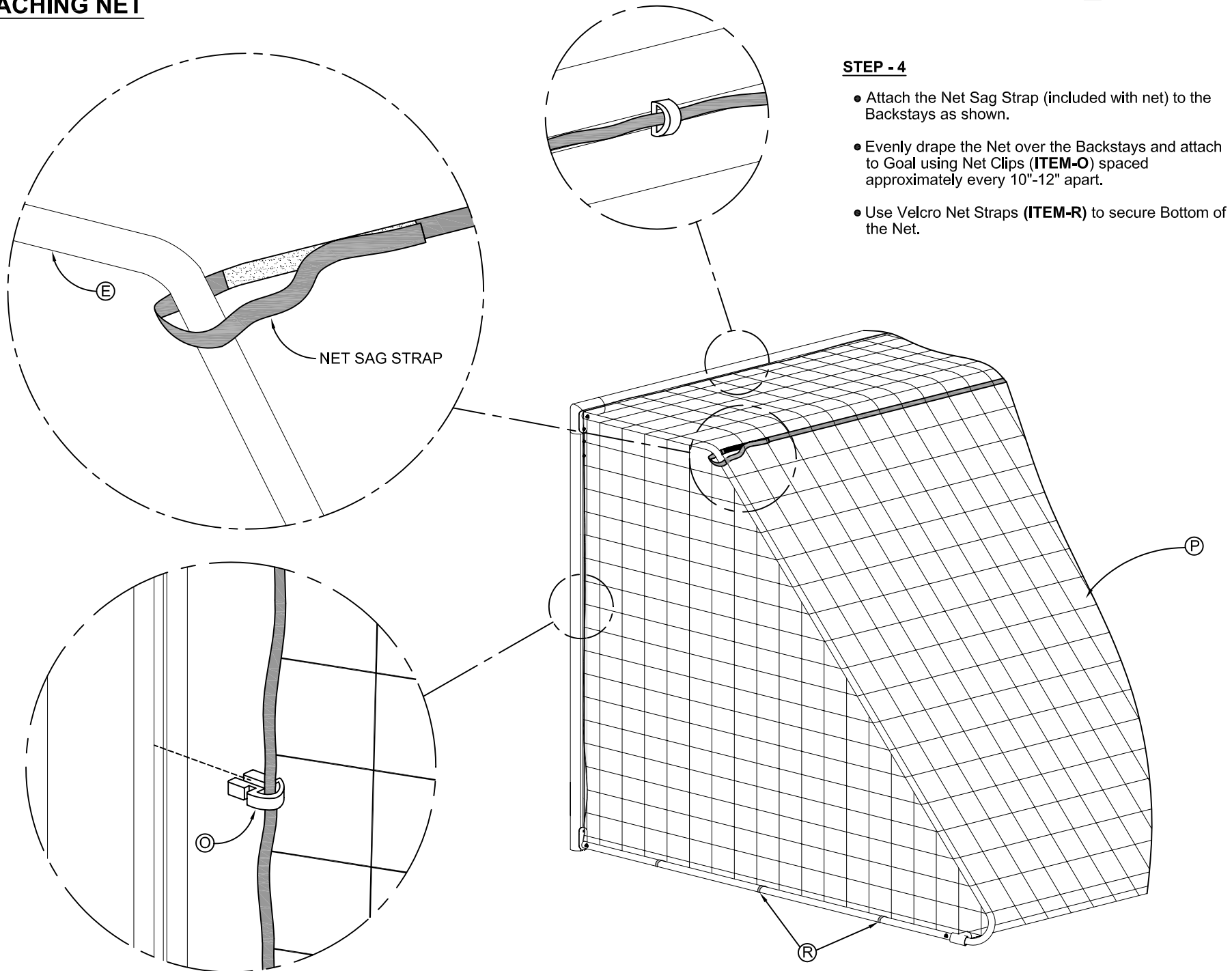
BACKSTAY BOTTOM BAR ASSEMBLY

STEP - 3

- Two adults stand up the Soccer Goal then attach Backstay Bottom Bar (**ITEM-Q**) to Backstay by sliding it into T-Fitting (**ITEM-T**). Use Hex Key to tighten T-Fitting to Backstay.
- Go back and re-check bolt tightness on the entire goal at this time.

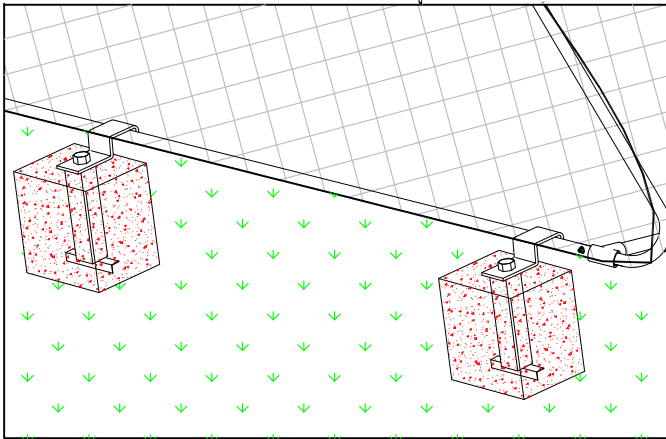
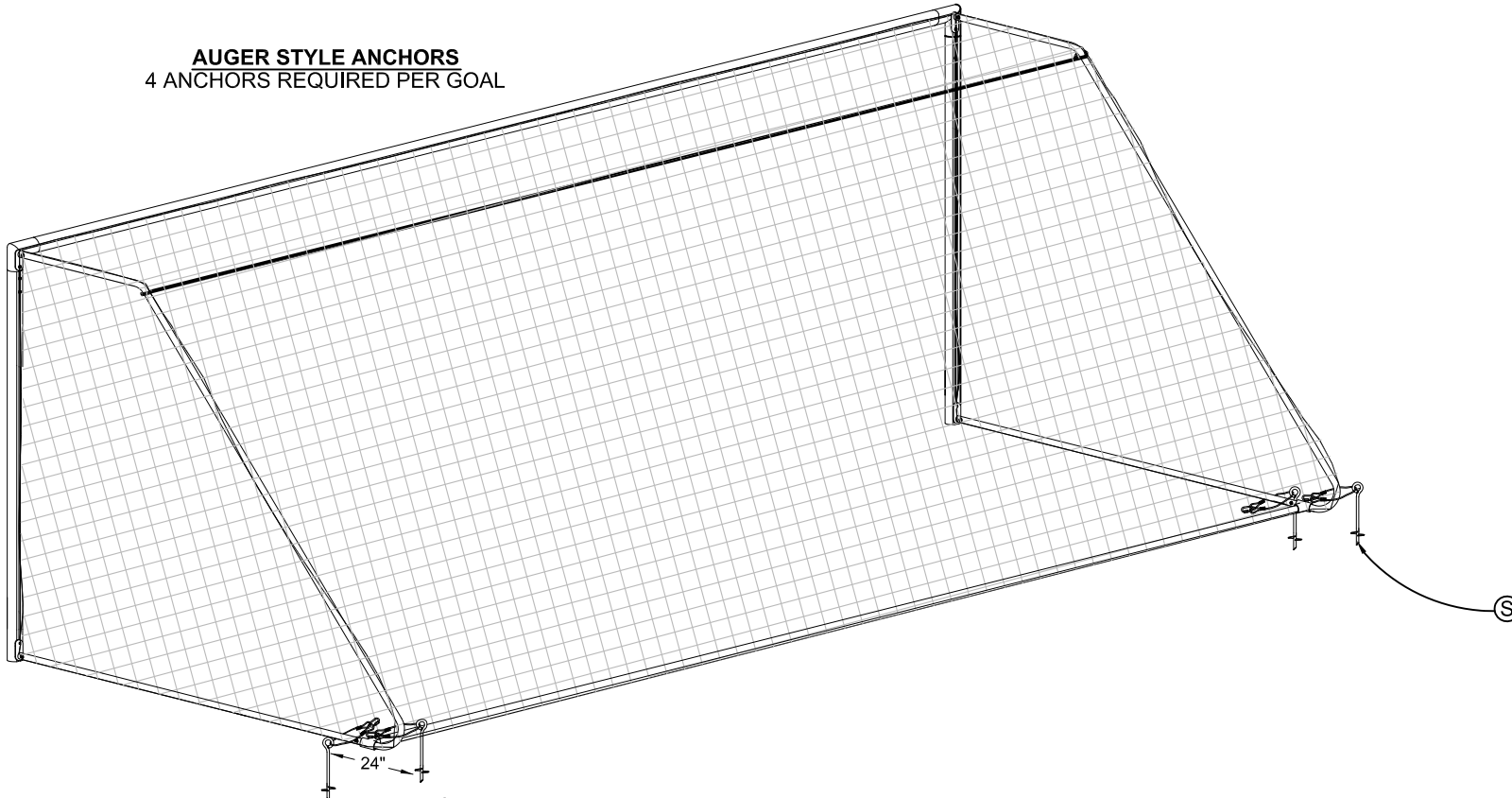


ATTACHING NET

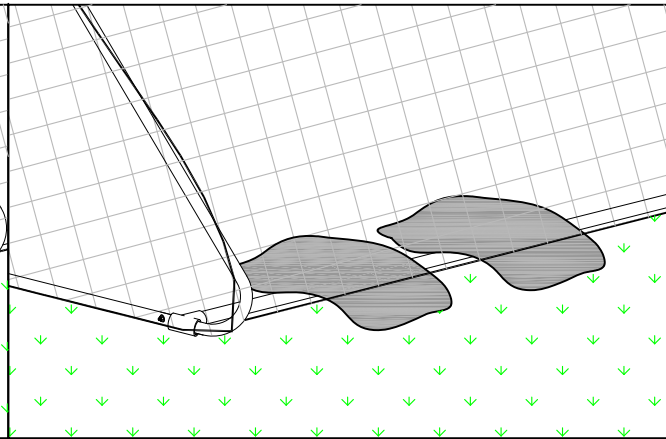


SOCCER GOAL ANCHORING

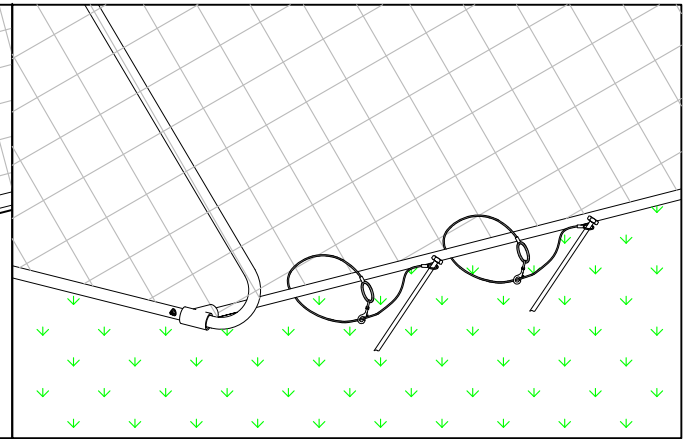
AUGER STYLE ANCHORS
4 ANCHORS REQUIRED PER GOAL



**OPTIONAL
IN-GROUND PERMANENT ANCHORS**
4 ANCHORS REQUIRED PER GOAL.



**OPTIONAL
SANDBAG ANCHORS**
4 X 40 LB. REQUIRED PER GOAL.



**OPTIONAL
STAKE W/ LEASH ANCHOR**
4 EACH REQUIRED PER GOAL
USED FOR REAL TURF FIELDS ONLY.

SAFETY INSTRUCTIONS



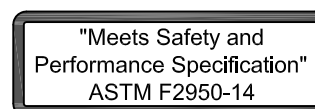
Z300SGWARN



Z300NEVERX



Z300ANCHOR



Z300F2950

These WARNING LABELS have been affixed to your goals prior to shipment.

Our labels are laminated with an ultraviolet protective layer to protect from fading. However, after years of exposure, they may fade.

Should they become illegible or be removed from your goal, you may obtain free replacements by calling BSN Sports at 1-800-527-7510.

Please request labels by part number listed under each label above.

-
- Check for structural integrity and proper connecting hardware before every use. Replace damaged or missing parts or fasteners immediately.
 - Safety/Warning labels must be clearly visible.
 - Securely anchor moveable soccer goals at ALL times.
 - Always instruct players, managers, coaches, trainers, teachers, maintenance workers and all other personnel who might come in contact with goal, on the safe handling of and potential dangers associated with moveable soccer goals.
 - Always exercise extreme caution when moving goals and provide adequate manpower to move goals of varied sizes and weights. Moveable soccer goals should only be moved by authorized personnel.
 - NEVER allow anyone to climb on the net or goal framework.
 - Moveable soccer goals should only be used on LEVEL fields, NEVER on a slope or hill area.
 - Remove nets when goals are not in use.
 - Most of the tip-over injuries occurred when goals were unattended. Anchor or chain one goal to another or to nearby fence posts, dugouts, or any other similar sturdy fixture when not in use. If this is not practical, store moveable soccer goals in a place where children cannot have access to them.
 - Fully disassemble goals for seasonal storage.

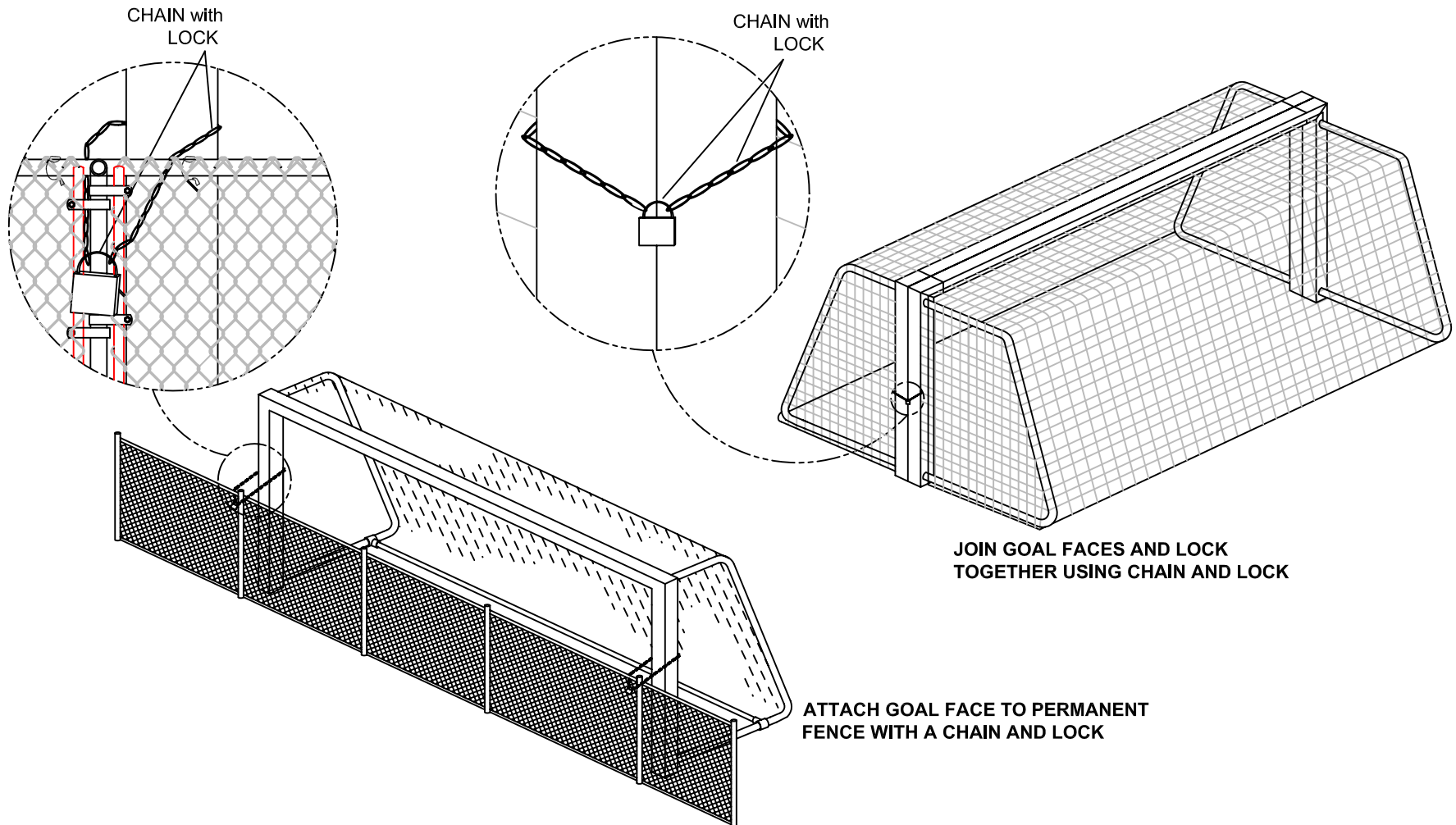
GUIDELINES FOR GOAL STORAGE OR SECURING WHEN GOAL IS NOT IN USE

THE MAJORITY OF SOCCER GOAL ACCIDENTS INVESTIGATED BY CONSUMER
PRODUCT SAFETY COMMISSION DID NOT OCCUR DURING A SOCCER MATCH.

MOST INCIDENTS OCCURRED WHEN GOALS WERE UNATTENDED.

ALWAYS STORE GOALS PROPERLY WHEN NOT IN USE.

BSN SPORTS IS A MEMBER OF THE COALITION TO PROMOTE SOCCER GOAL SAFETY.





CPSC Safety Alert

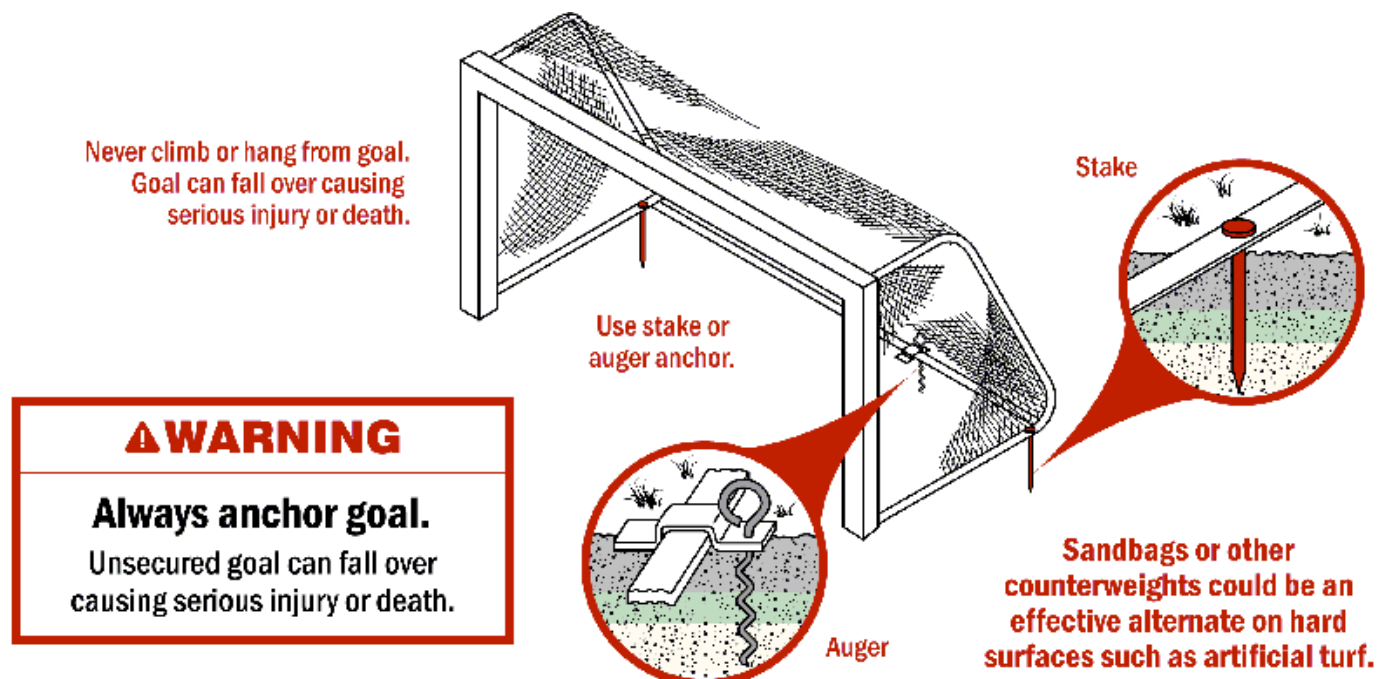
Movable Soccer Goals Can Fall Over On Children

Movable soccer goals can fall over and kill or injure children who climb on them or hang from the crossbar. The U.S. Consumer Product Safety Commission (CPSC) has reports of at least 36 deaths since 1979 resulting from soccer goals falling over. Both homemade and professionally manufactured soccer goals are involved in these incidents.

To help prevent deaths and injuries associated with soccer goals, follow these safety suggestions.

- Securely anchor or counter-weight movable soccer goals at all times (see illustration).
- Never climb on the soccer net or goal framework.
- Always instruct soccer players on the safe handling of and potential dangers associated with movable soccer goals.
- Use movable soccer goals only on level (flat) fields.
- Check all connecting hardware before every use. Replace damaged or missing fasteners immediately.
- Ensure safety labels are clearly visible.
- Remove nets when goals are not in use.
- Anchor or chain goals to nearby fence posts, dugouts or similar sturdy fixtures when not in use.
- Fully disassemble goals for seasonal storage.

A voluntary safety standard for soccer goals and a guide for safer use are available from ASTM International at www.ASTM.org.



Publication 5118 072014