



**We Manufacture
You Score**

▲! WARNING

1. This goal is intended to be used outdoors only.
2. The goal is not to be stored or used on a sloped or hill area.
3. The goal shall be secured against tilting or overturning at all times
4. Check to ensure that all fasteners are fully tightened before using this product; Check fasteners periodically over time.
5. Do not climb on the net or framework.
6. **ALWAYS** anchor goal. **If provided anchoring system is not used, Channel Series goals require 220 lbs of counterweight to be considered safely anchored.**
7. Goal can fall over causing serious injury or death.
8. Check for damaged parts or hardware before each use; replace broken or missing hardware, fasteners, or other parts immediately.
9. Do not remove warning labels under any circumstance; Warning labels should always be clearly visible, placed under crossbar and on the sides of the uprights at eye level.
10. Goals should be disassembled with nets removed for seasonal storage.
11. Always exercise extreme caution when moving soccer goals and allow adequate manpower to move goals of varied sizes and weights. Movable soccer goals should only be moved by authorized and trained personnel.
12. Anchor or chain one goal to another, to itself in a folded down position, or to nearby fence posts, dugouts, or any other similar sturdy fixture when not in use. If this is not practical, store movable soccer goals in a place where children cannot have access to them.
13. **Always instruct players, managers, coaches, trainers, teachers, maintenance and other personnel who might come into contact with goal on the safe handling of and potential dangers associated with movable soccer goals.**

CastLite Channel Movable Soccer Goal

Models: SGM-4x6C, SGM-6x12C, SGM-6x18C, SGM-7x21C, SGM-8x24C

General Notes:

It will take one adult approximately 30 minutes to assemble this goal.

Tools Required:

- a. Adjustable Wrench or 9/16" Wrench
- b. Hex Key (Included)

Assembly Instructions:

Remove all hardware from packaging and inspect to make sure it matches below list and there is no damage.

Item	Qty. Per Goal	Total
Crossbar Tube (with PEVO Label)	1	
Side Assembly (with Installed Hardware)	2	
Ground Bar	1	
Net	1	
Channel Spacer	2	
Bungee Balls	7, 8, 9, 10, 12	
LockIt Channel Clip Net Fasteners	28, 36, 40, 44, 48	
J-Stake or Auger Stake with Chain (9 link)	2, or 2 Sets	
Hex Bolt – ¼" x 3 ¼"	2	
Nut – ¼"	2	
Lock Washer	2	

1) Unbox and lay out components (sides, crossbar, ground bar) as seen in image below. Remove Bolts and Washers from Upright Stubs and place nearby.



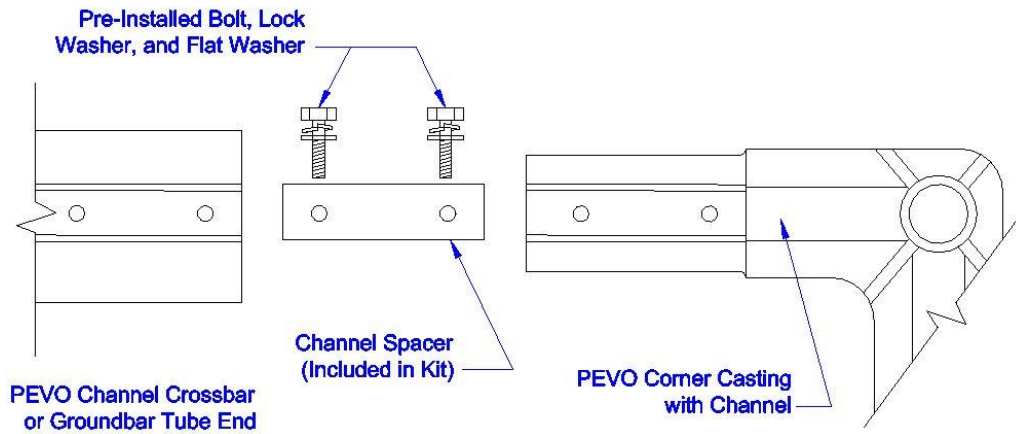


Figure 1. Crossbar and Upright/Backstay Casting

- 2) Place Channel Spacer in Crossbar as seen in image below**



- 3) Align holes in Crossbar with threaded holes in Upright Stub as seen in image. Install Lock Washer and Flat Washer on Hex Bolt and insert through Crossbar Hole into threaded hole in Upright. Use finger pressure to turn Bolt in threaded holes to ensure proper threading occurs. Tighten Bolts with Wrench until snug with Crossbar. Repeat on the other side of the goal. DO NOT OVER TIGHTEN! DAMAGE TO GOAL MAY OCCUR.**



4) Carefully raise up Goal using one adult at either end of Goal Assembly. Place ends of Ground bar into castings in back of Upright/Backstay Assemblies and tighten set screws with Hex Key. (See Figure 2)

On both ends of ground bar, push $\frac{1}{4}$ " x 3-1/2" Hex Safety Bolt into Hole through side opposite of Set Screw, so that the threaded end is fed through set screw opening. (See Figure 2)

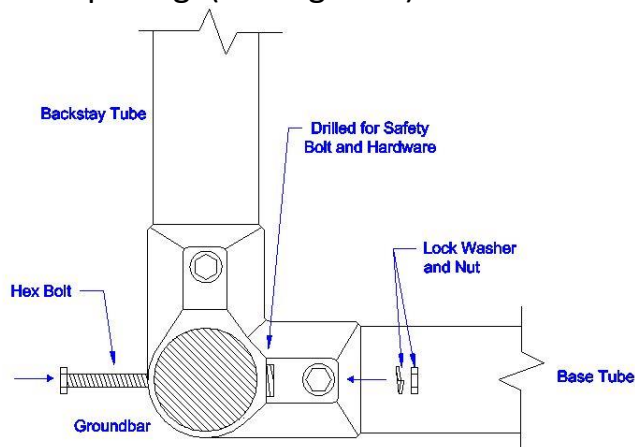


Figure 2. Groundbar coupling with Safety Hardware.

Place Lock Washer and Nut on end of Bolt, and tighten using **finger pressure only**.

Tighten nut using wrench until snug.

Position Net on top of Goal Assembly insuring top of net is aligned with crossbar and net is resting on top of Backstays.

c. NOTE: Label indicates top corner of net.

Slide Net perimeter rope into Channel Tube opening and insert net fastener. Twist net fastener until it locks with slot in same direction as channel (See Figure 3). Continue until the net is completely attached to Crossbar, Ground Bar, and the channel tubing of the side assemblies.



Figure 3. LockIt Channel Net Fastener in Crossbar tube.
Secure rear base of Net to ground bar using Bungee Balls.
Ensure net is completely attached to Goal Assembly.
Ensure all Bolts & Screws are all still properly tightened.

d. NOTE: Check fasteners periodically as goal is in use.
Install Auger and Chain over Ground Bar tube near each end and step or screw into ground. (See Figure 5)

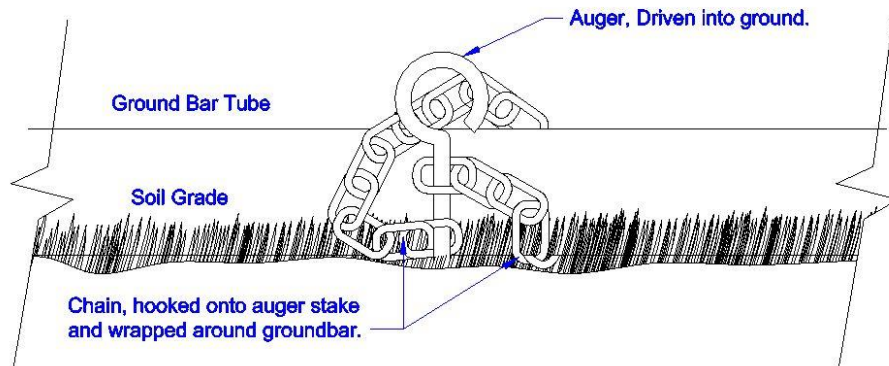


Figure 5. Auger and Chain installation.



Assembled Channel series goal.

CHANNEL SERIES GOALS REQUIRE 220 LBS OF COUNTERWEIGHT IF NOT ANCHORED WITH PROVIDED ANCHORING SYSTEM.