

## WARRANTY AND MAINTENANCE SHEET

Before attempting assembly, examine the enclosed drawings; identify the various parts and their corresponding part numbers. Compare the parts and quantities with packing list, noting any discrepancies. The assembly drawings were designed to provide you with an easy to understand picture of the bleacher assembly. Should you have any difficulties in assembly, contact our customer service department at 1-800-527-7510.

### IMPORTANT NOTICE

These bleachers have been designed and manufactured to meet NFPA National Fire Protection Association and CPSC Consumer Product Safety Commission Standards for Safety. However, since local codes may vary, the purchaser of the product must be responsible for compliance with local or state codes pertaining to this product. The manufacturer, distributor, or any of their representatives assume no liability for code compliance.

### SURFACE PREPARATION

**ALL** bleachers **MUST** be installed on a solid, smooth and level surface. Manufacturer will not be responsible for any damage resulting from the use of this product on any irregular surface conditions. **ALL** bleachers with a top row seat over 30" from ground level **MUST** be anchored to a concrete pad or footer. Most local codes require permanent anchoring to concrete to meet wind load requirements. Please check your local codes. Bleachers with a top row seat less than 30" from ground level may remain portable however manufacturer strongly recommends attaching weather treated lumber Groundsills. Groundsills should be at least 2" x 6" lumber and attached with  $\frac{3}{8}$ " x 1  $\frac{1}{2}$ " lag screws (not provided).

### STORAGE

Assembled units shall be stored in usable position only, not tilted back on column. The manufacturer will not be responsible for damage or personal injury resulting from product being stored in any other position.

### MAINTAINANCE

In order to assure continued spectator safety and comfort, an annual inspection of these bleachers is required. No warranties, specified or implied, will be honored on this product unless replacement parts are purchased from original manufacturer and unless inspection and maintainance records have been kept by the Owner. This annual inspection shall include, but is not limited to the following:

1. Bolt tightness (Bolts, nuts, set screws, etc).
2. Vertical and horizontal alignment of all component parts.
3. Any broken or damaged parts, whether from normal use or abuse.
4. End cap fit and condition (snug fit, unbroken condition).
5. Visual inspection of any and all welded connections.
6. Insure that the base angle is in full and continuous contact with supporting surface, i.e., turf, concrete, asphalt or grade.

### WARRANTY

All bleachers shall carry, after proper assembly and under normal use for the type of structure, a five (5) year warranty against all defects in materials and workmanship. In addition, all aluminum plank extrusions shall be covered by a one (1) year warranty against deterioration of anodized finish or loss of structural strength due specifically to constant exposure to changing weather and environmental conditions. Acts of vandalism or abuse shall render the conditions of these warranties null and void

**4 ROW - 56 SEAT - 27' LOW RISE  
BLEACHER ASSEMBLY**

- STEP 1)** Unpack all parts. Check all parts with parts list to verify you have everything and that no damage has occurred during shipping.
- STEP 2)** Attach the six cross braces (*item B*) to the Bleacher Frames (*item A*) using Hex Bolts, Flat Washers, Lock Washers and Hex Nuts (*items H, I, J, K,*) as shown in diagram-1. **Tighten bolts securely.**
- STEP 3)** Now attach all the Bolt Clips (*item E*) to the Bleacher Frame using Carriage Bolts and Locking Flange Nuts (*item F, G*) ; leave the nuts loose at this time. See diagram-2.
- STEP 4)** Lay the Foot Planks (*item D shiny finish*) and the Seat Planks (*item C dull finish*) in place with the Bolt Clips in the channels of the Planks as shown in diagram-2.
- STEP 5)** Working along each Plank, lift and twist each Bolt Clip so it is in the locking position clamping the Plank to the Frame. Be sure the overhang of the Planks is even on each side (approximately 17") and that the Bleacher Frame is square. You are now ready to tighten all the Bolt Clips. See diagram-2.
- STEP 6)** Attach Poly End Caps (*item M*) using Self Drilling Screws (*item L*). First tap End Caps on end of each Plank with rubber mallet then using a Drill with a Phillips tip drive Screws into aluminum planks as shown in diagram-2.

<b>ITEM</b>	<b>DESCRIPTION</b>	<b>QTY</b>
A	4 ROW BLEACHER FRAME	5 EA
B	DIAGONAL CROSS BRACING 73 7/8"	8 EA
C	SEAT PLANK 27' anodized dull finish	4 EA
D	FOOT PLANK 27' mill shiny finish	3 EA
E	BOLT CLIP	70 EA
F	CARRIAGE BOLT 5/16" X 1 1/4"	70 EA
G	LOCKING FLANGE NUT 5/16"	70 EA
H	HEX BOLT 3/8" X 1 1/4"	15 EA
I	HEX NUT 3/8"	15 EA
J	SPLIT LOCK WASHER 3/8"	15 EA
K	FLAT WASHER 3/8"	30 EA
L	SELF DRILLING SCREW #8	56 EA
M	POLY END CAP	14 EA

NOTICE: Purchaser of this product must be responsible for compliance with any local or state codes pertaining to this product. Manufacturer, Distributor or any of the representatives will assume no liability for code compliance.

**4 ROW - 56 SEAT - 27' LOW RISE BLEACHER**

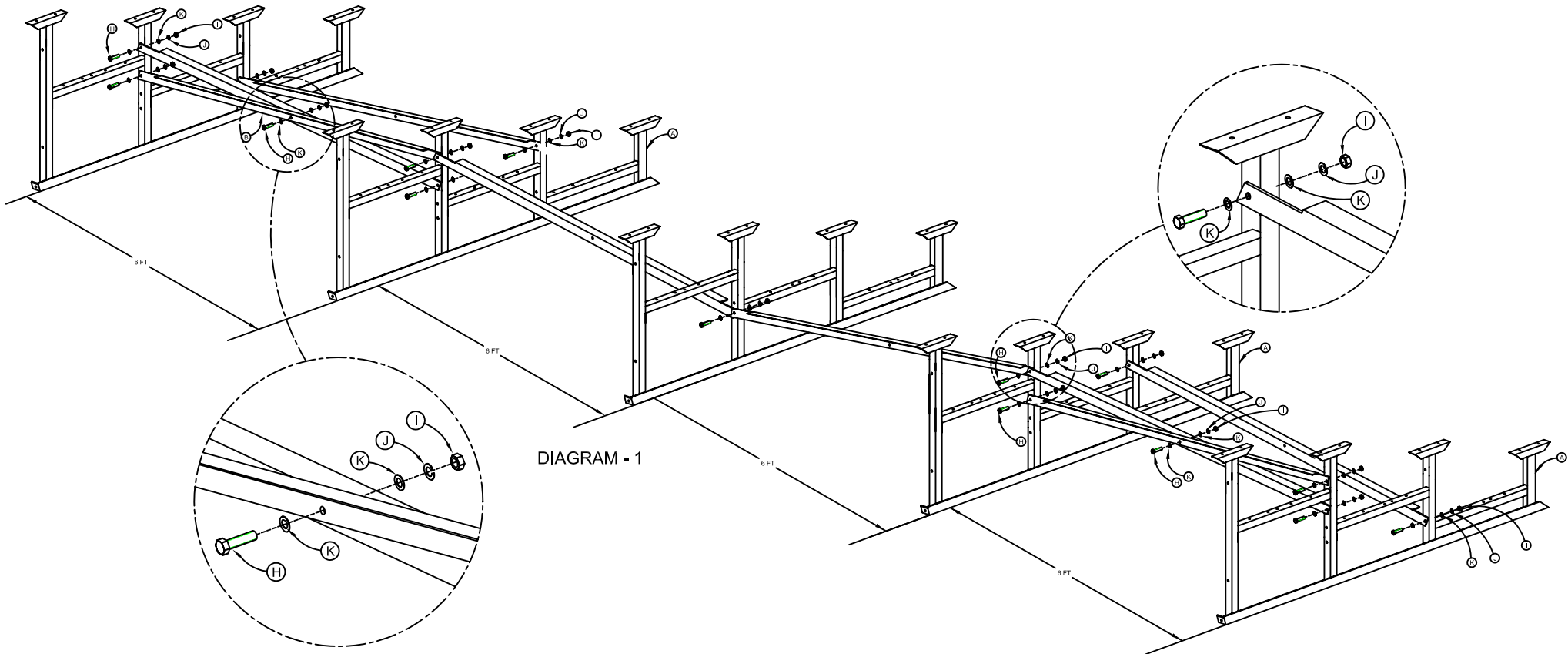


DIAGRAM - 1

