



ASSEMBLY INSTRUCTIONS FOR 9B53 PORTABLE ONLY SHELTER FRAME

THIS UNIT MUST BE ASSEMBLED BY A MINIMUM OF TWO QUALIFIED PERSONS

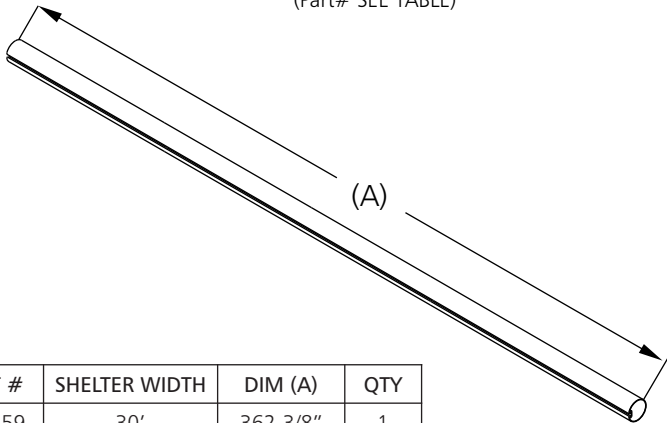
NOTICE Sunlight reflecting off polycarbonate panels can contribute to increased temperatures of surrounding objects. In certain situations, these increased temperatures can damage some artificial turf surfaces. Kwik Goal is not responsible for any damage to artificial turf.

1. Unpack all parts and check for damage that may have occurred during shipping. If damage has occurred, notify Kwik Goal immediately. Lay out all parts. Remove all cardboard and packaging immediately. Wet or damp packaging may damage contents.
2. Read through entire instruction before beginning assembly and installation.

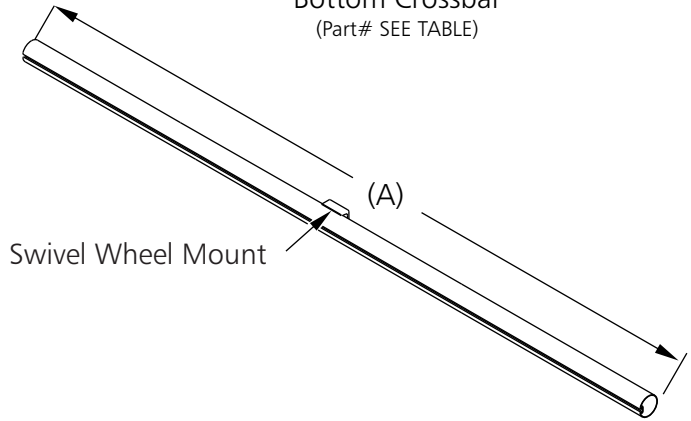
NOTE: Components may be packaged in one or more additional boxes.

Parts

Crossbar
(Part# SEE TABLE)



Bottom Crossbar
(Part# SEE TABLE)



PART #	SHELTER WIDTH	DIM (A)	QTY
UZ1559	30'	362-3/8"	1
UZ1116	24'	287-3/4"	1
UZ1433	21'	250-7/16"	1
UZ1434	18'	213-1/8"	2
UZ1435	15'	175-13/16"	2
UZ1436	12'	138-1/2"	2
UZ1114	9'	101-3/16"	2

PART #	SHELTER WIDTH	DIM (A)	QTY
UZ1577	30'	362-3/8"	1
UZ1444	24'	287-3/4"	1
UZ1443	21'	250-7/16"	1

THIS UNIT MUST BE ANCHORED ACCORDING TO THESE INSTRUCTIONS AT ALL TIMES

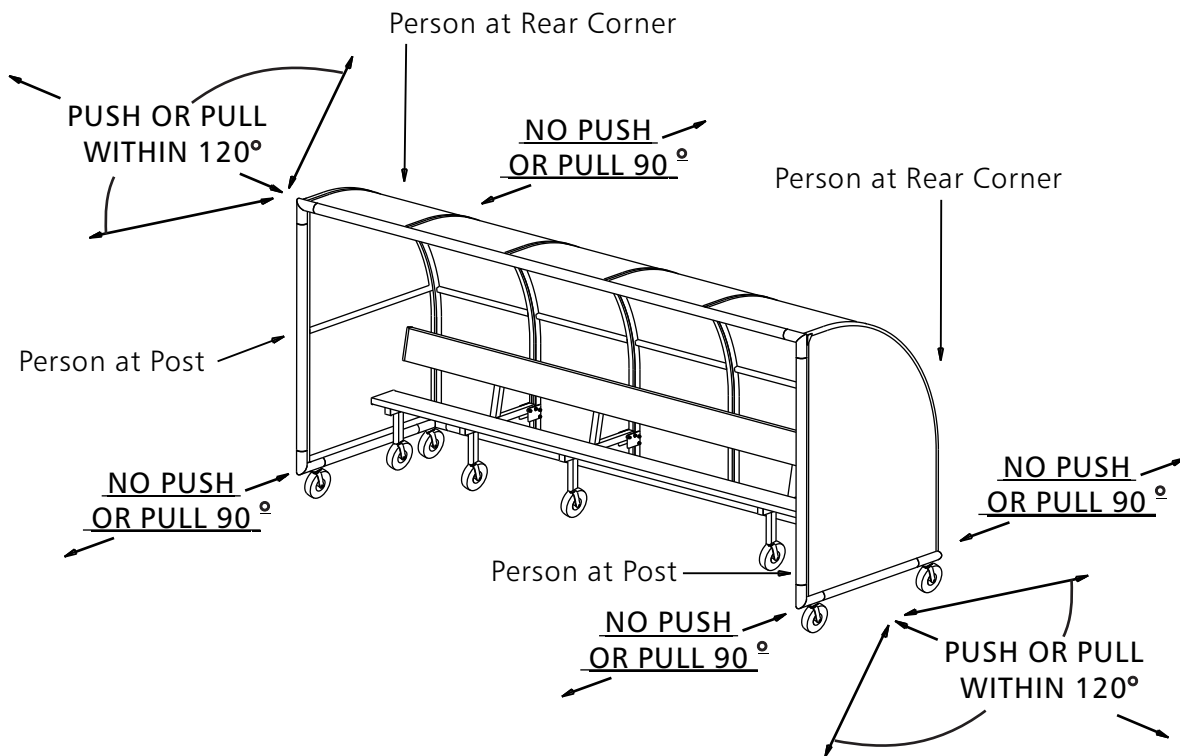
▲WARNING

THIS EQUIPMENT MUST BE STORED IN A SECURED, SHELTERED AREA WHEN NOT IN USE OR IN THE THREAT OF HIGH WINDS. ANY WEATHER DAMAGE TO THIS EQUIPMENT WILL NOT BE COVERED UNDER KWIK GOAL'S PRODUCT GUARANTEE. DO NOT LEAVE THIS EQUIPMENT UNATTENDED.



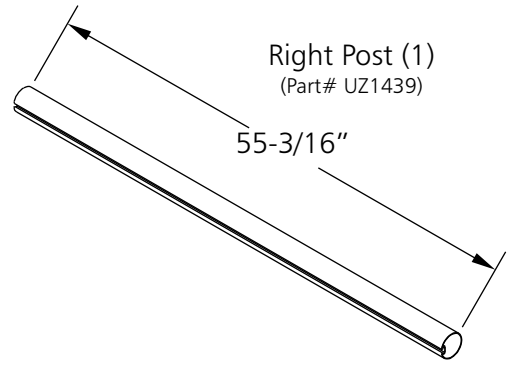
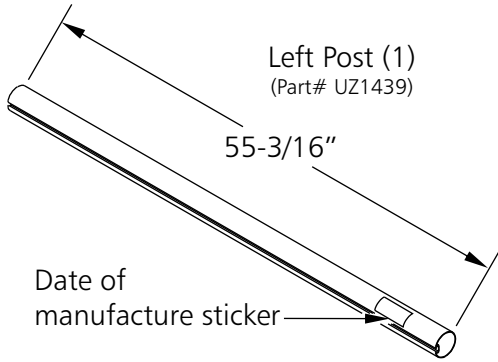
⚠ WARNING IMPORTANT SAFETY INSTRUCTIONS
READ CAREFULLY

1. Lifting and moving heavy field equipment can be dangerous if not done properly. All Kwik Goal shelters must be moved by qualified personnel who are experienced in moving large, heavy field equipment.
2. A minimum of four qualified, experienced people are required to move shelter.
3. Do not attempt to lift or move shelter in windy conditions.
4. Shelters must not be left unattended and unsecured.
5. Shelter must be on level, flat ground at all times.
6. Use extreme caution when pushing shelter. Excessive force can overturn shelter. Always push at lowest point on shelter frame possible.
7. Do not push shelter directly from the front to rear or rear to front. Push from end to end.

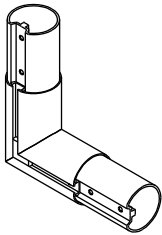


NEVER LEAVE SHELTERS UNATTENDED AND UNSECURED

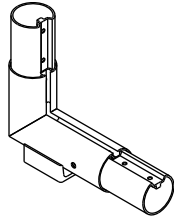
Parts Continued



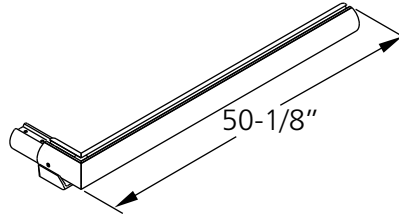
Crossbar Corner (2)
(Part# UZ1211)



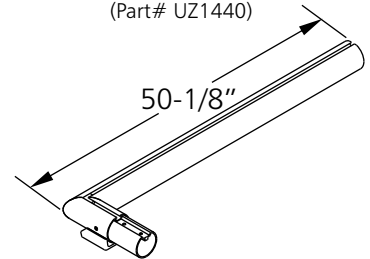
Post Corner (2)
(Part# UZ1442)



Left Base (1)
(Part# UZ1441)



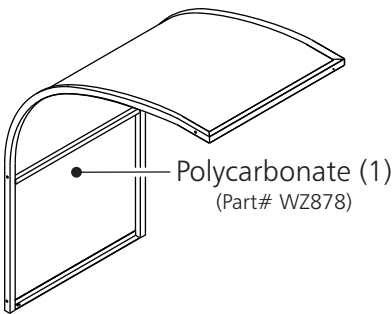
Right Base (1)
(Part# UZ1440)



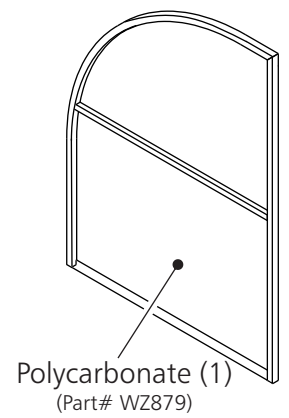
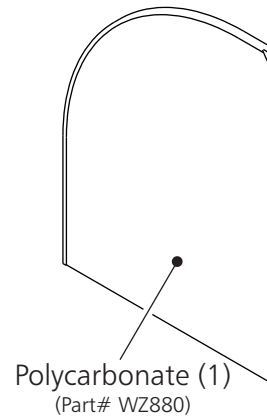
Center Panel (SEE TABLE)
(Part# UZ1445)

Left Panel (1)
(Part# UZ1447)

Right Panel (1)
(Part# UZ1446)

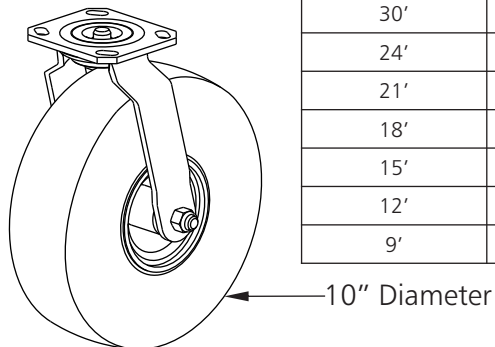


SHELTER WIDTH	QTY
30'	10
24'	8
21'	7
18'	6
15'	5
12'	4
9'	3

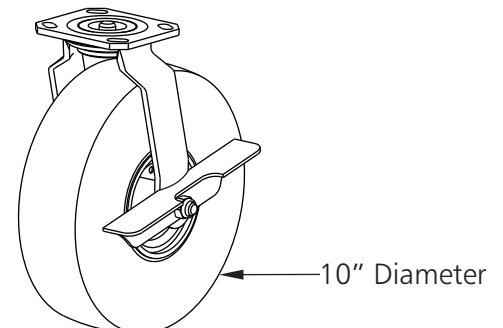


Swivel Wheel (SEE TABLE)
(Part# VZ629)

SHELTER WIDTH	QTY
30'	3
24'	3
21'	3
18'	2
15'	2
12'	2
9'	2



Swivel Wheel w/ Brake (2)
(Part# VZ747)



THIS UNIT MUST BE ANCHORED ACCORDING TO THESE INSTRUCTIONS AT ALL TIMES

▲WARNING

THIS EQUIPMENT MUST BE STORED IN A SECURED, SHELTERED AREA WHEN NOT IN USE OR IN THE THREAT OF HIGH WINDS. ANY WEATHER DAMAGE TO THIS EQUIPMENT WILL NOT BE COVERED UNDER KWIK GOAL'S PRODUCT GUARANTEE. DO NOT LEAVE THIS EQUIPMENT UNATTENDED.

Note: Hardware is packed separately in one or more boxes.
 Open all boxes and layout all sealed hardware packs
 before beginning assembly.

Frame Hdw (Part# JZ190)

- 3/8" X 1" Socket Head (Part# TZ323) (20)
- 3/8" Lock Washer (Part# TZ65) (20)
- 5/16" X 1" Hex Bolt (Part# TZ330) (20)
- 5/16" Flat Washer (Part# TZ4) (20)
- 5/16" Lock Washer (Part# TZ174) (20)

Anchor Hdw (Part# JZ217)

- 7/16" Flat Washer (Part# TZ171) (8)
- 7/16" X 5" Hex Bolt (Part# TZ307) (4)
- 7/16" Lock Nut (Part# TZ47) (4)
- 1/4" X 12 1/2" Chain (Part# VZ564-12) (4)
- 1/4" X 3 1/2" Chain (Part# VZ564-3) (4)
- 7/16" Snap Link (Part# VZ737) (4)

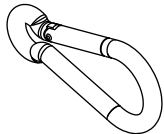
Quantity per shelter length

Panel Hdw (Part# JZ199, JZ202)

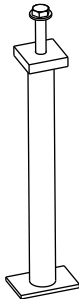
	<u>9ft</u>	<u>12ft</u>	<u>15ft</u>	<u>18ft</u>	<u>21ft</u>	<u>24ft</u>	<u>30ft</u>
3/8" X 7/8" Hex Bolt (Part# TZ249)	(5)	(6)	(7)	(8)	(9)	(10)	(12)
3/8" X 2-1/4" Hex Bolt (Part# TZ305)	(7)	(8)	(9)	(10)	(11)	(12)	(14)
3/8" Square Nut (Part# TZ247)	(12)	(14)	(16)	(18)	(20)	(22)	(26)
3/8" Lock Washer (Part# TZ65)	(32)	(34)	(36)	(38)	(40)	(42)	(46)
3/8" Flat Washer (Part# TZ60)	(12)	(14)	(16)	(18)	(20)	(22)	(26)
5/16" X 3-3/4" Hex Bolt (Part# TZ264)	(6)	(9)	(12)	(15)	(18)	(21)	(27)
5/16" Lock Nut (Part# TZ5)	(12)	(15)	(18)	(21)	(24)	(27)	(33)
5/16" Flat Washer (Part# TZ4)	(18)	(24)	(30)	(36)	(42)	(48)	(60)

Parts

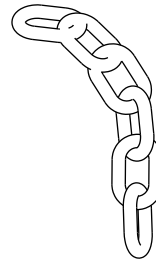
Snap Link (See Anchor Hdw)
(Part# VZ737)



Ground Anchor (4)
(Part# 10B103 Pack of 4)



12 1/2" L
Chain (See Anchor Hdw)
(Part# VZ564-12)

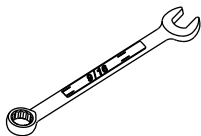


3 1/2" L
Chain (See Anchor Hdw)
(Part# VZ564-3)

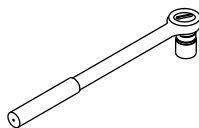


Assembly Tools

1/2", 5/8", 9/16", 3/4"
Wrenches



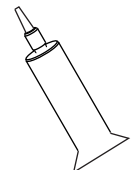
Ratchet with
1/2", 5/8", 9/16", 3/4" Sockets



5/16" Hex wrench



Polyurethane Sealant
(Part# VZ837)



THIS UNIT MUST BE ANCHORED ACCORDING TO THESE INSTRUCTIONS AT ALL TIMES

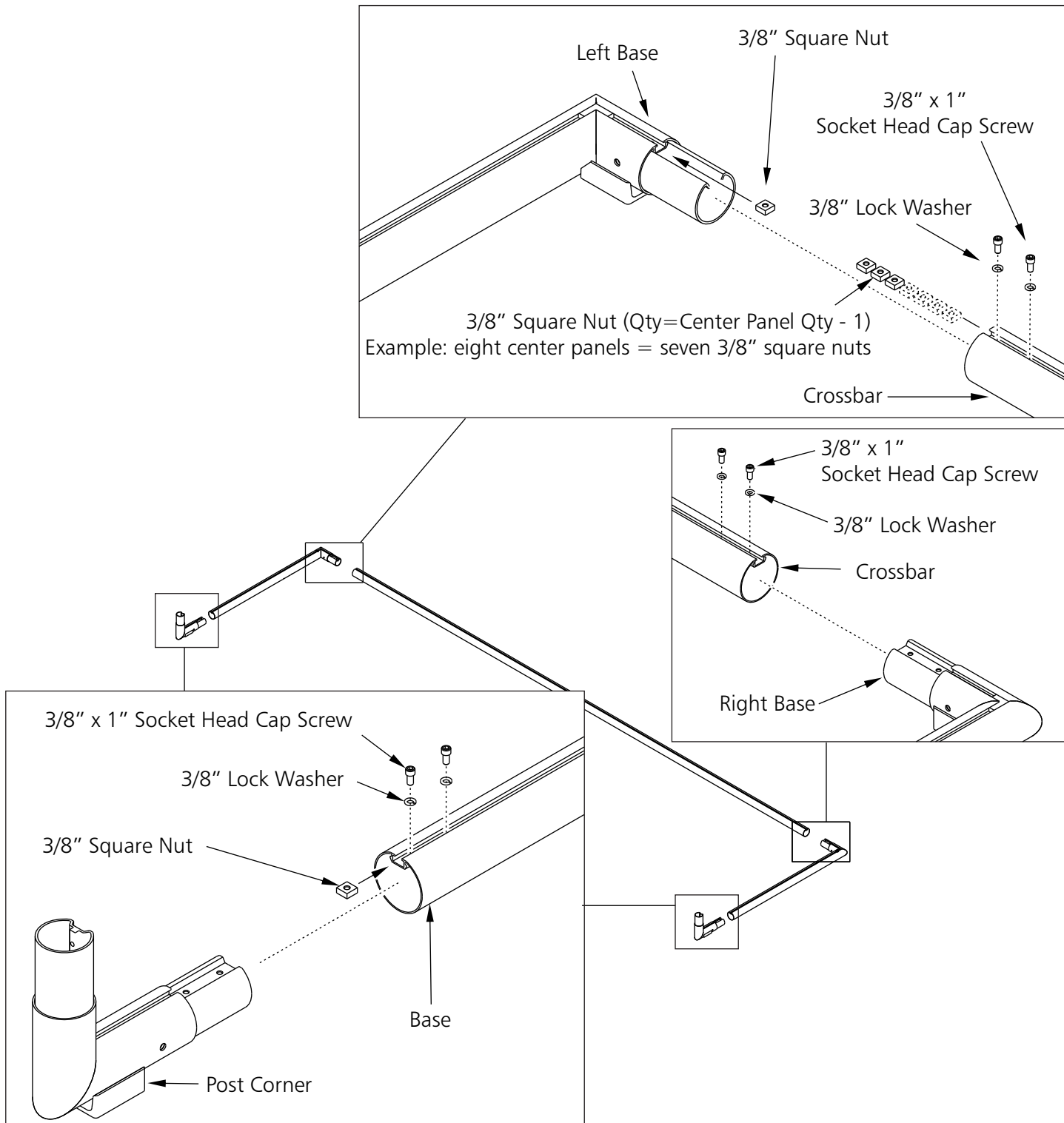
▲WARNING

THIS EQUIPMENT MUST BE STORED IN A SECURED, SHELTERED AREA WHEN NOT IN USE OR IN THE THREAT OF HIGH WINDS. ANY WEATHER DAMAGE TO THIS EQUIPMENT WILL NOT BE COVERED UNDER KWIK GOAL'S PRODUCT GUARANTEE. DO NOT LEAVE THIS EQUIPMENT UNATTENDED.

3. Hardware for this step is in **Frame Hdw** & **Panel Hdw** packs.

Assemble crossbar, bases, and post corners. Press joints together firmly before tightening bolts.

NOTE: Square nuts will float loose in channels until used later.



THIS UNIT MUST BE ANCHORED ACCORDING TO THESE INSTRUCTIONS AT ALL TIMES

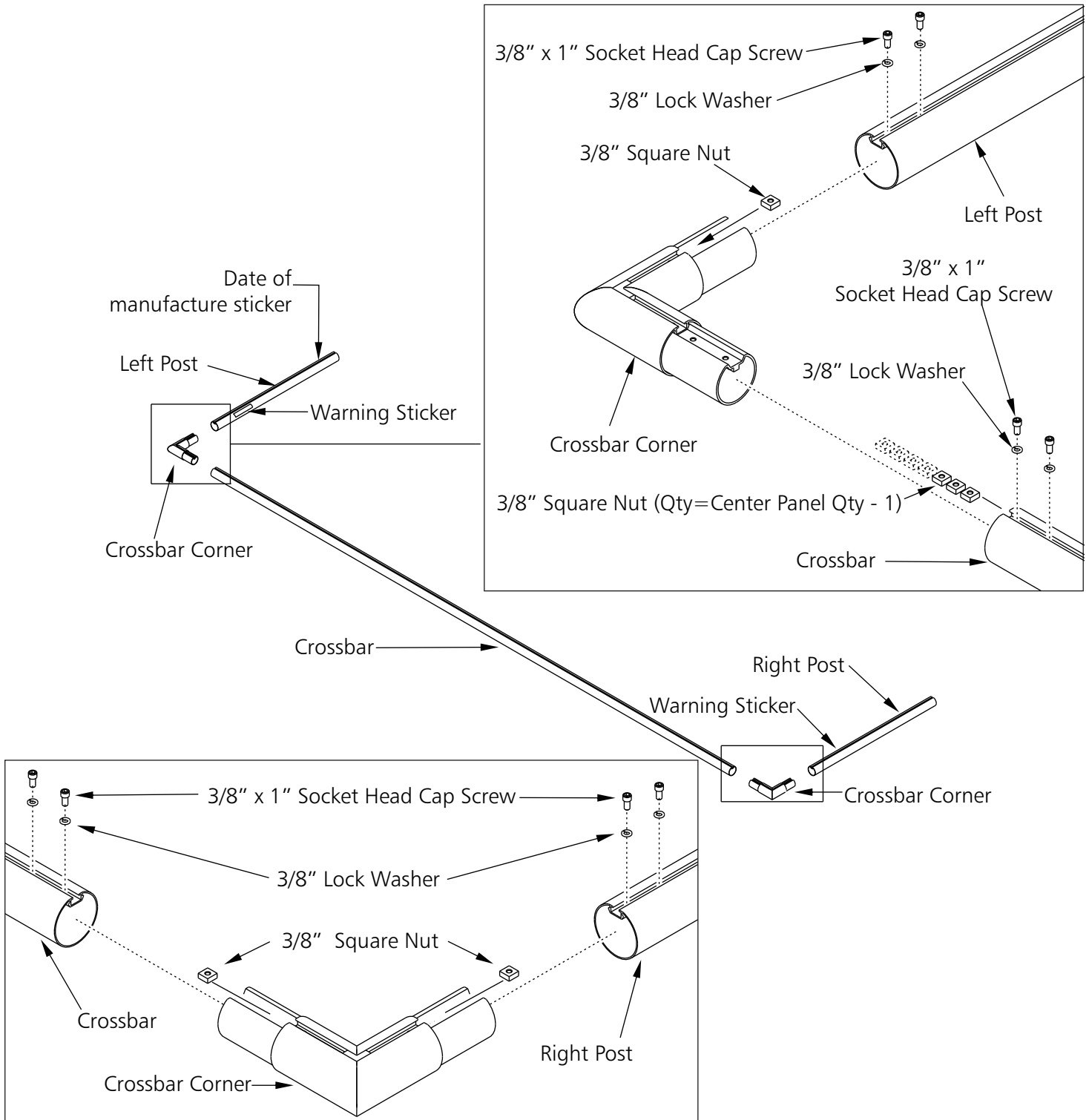
▲WARNING

THIS EQUIPMENT MUST BE STORED IN A SECURED, SHELTERED AREA WHEN NOT IN USE OR IN THE THREAT OF HIGH WINDS. ANY WEATHER DAMAGE TO THIS EQUIPMENT WILL NOT BE COVERED UNDER KWIK GOAL'S PRODUCT GUARANTEE. DO NOT LEAVE THIS EQUIPMENT UNATTENDED.

4. Hardware for this step is in **Frame Hdw** & **Panel Hdw** packs.

Assemble crossbar, posts, and crossbar corners. Press joints together firmly before tightening bolts.

NOTE: Square nuts will float loose in channels until used later.

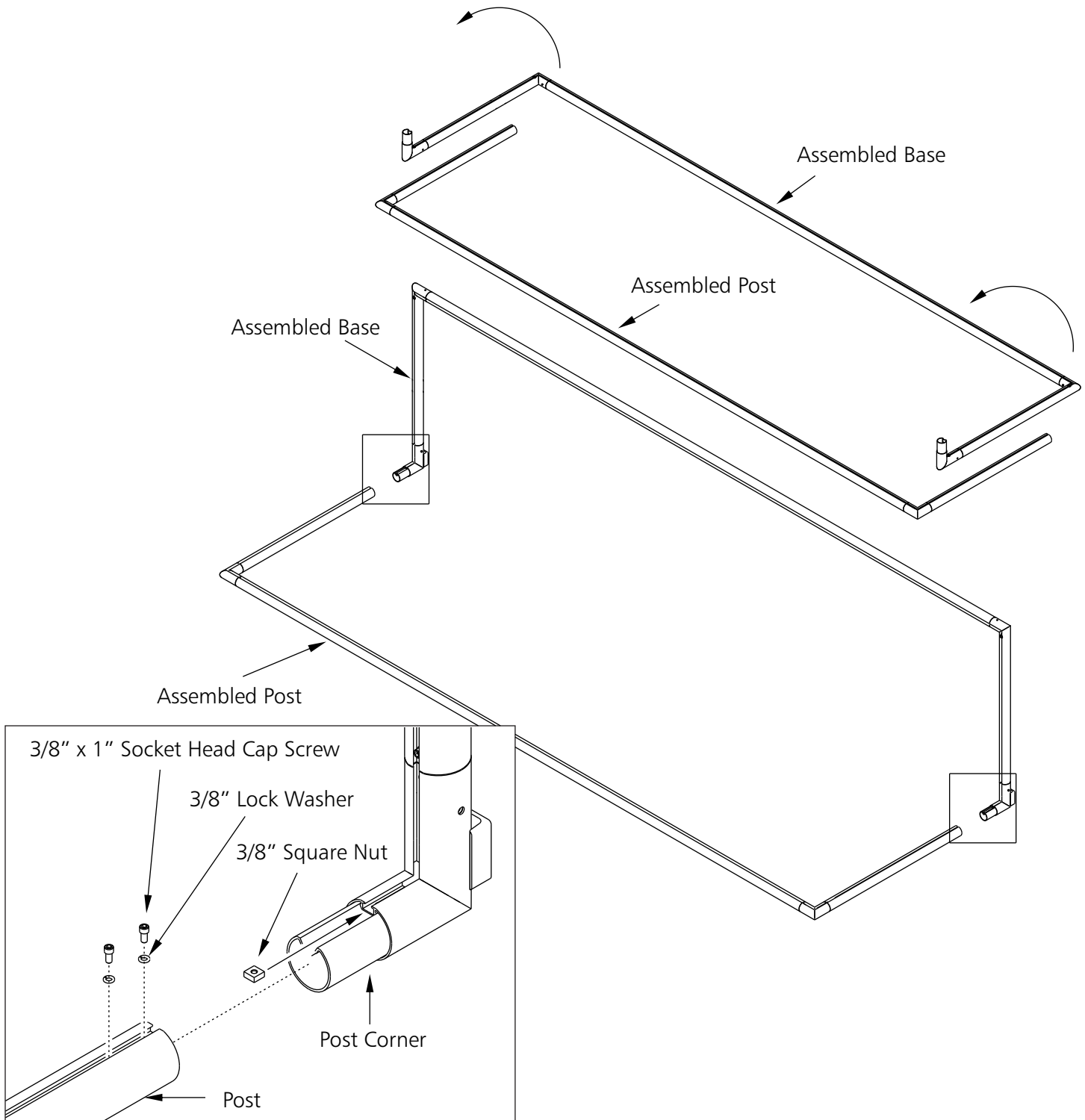


THIS UNIT MUST BE ANCHORED ACCORDING TO THESE INSTRUCTIONS AT ALL TIMES

▲WARNING

THIS EQUIPMENT MUST BE STORED IN A SECURED, SHELTERED AREA WHEN NOT IN USE OR IN THE THREAT OF HIGH WINDS. ANY WEATHER DAMAGE TO THIS EQUIPMENT WILL NOT BE COVERED UNDER KWIK GOAL'S PRODUCT GUARANTEE. DO NOT LEAVE THIS EQUIPMENT UNATTENDED.

5. Hardware for this step is in **Frame Hdw** & **Panel Hdw** packs.
Insert one 3/8" square nut in each side of assembled base corner. Connect assembled base and post as shown.
Press joints together firmly before tightening bolts.

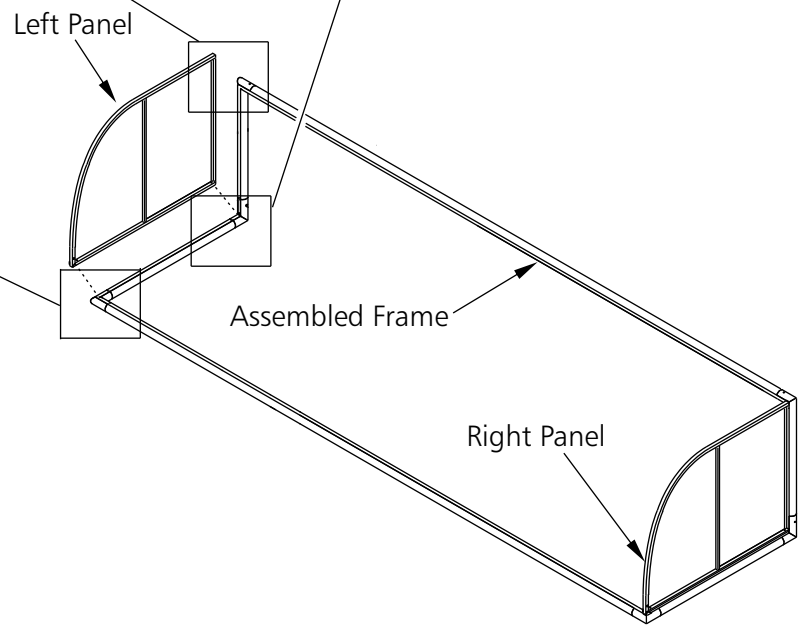
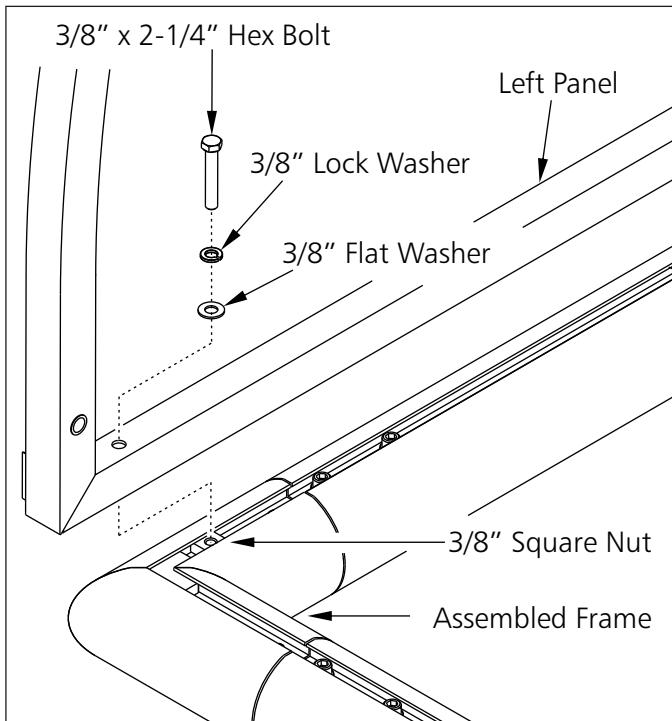
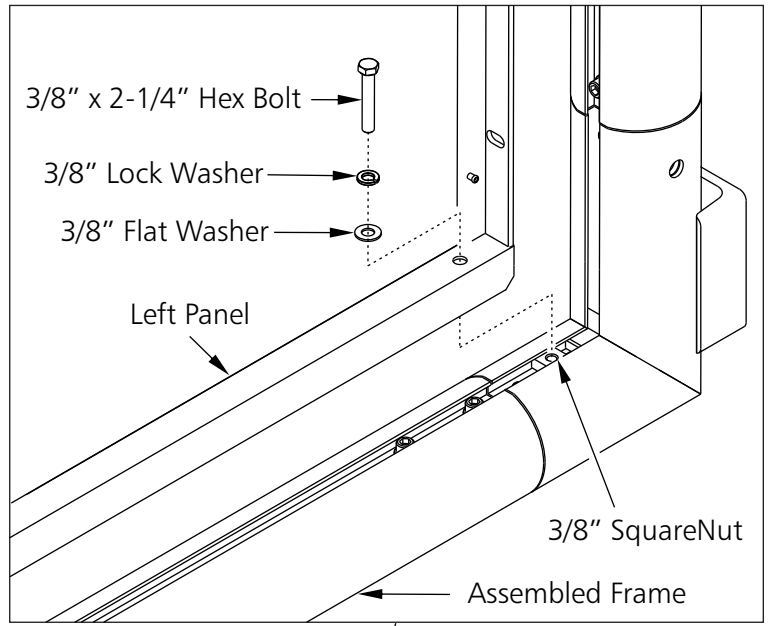
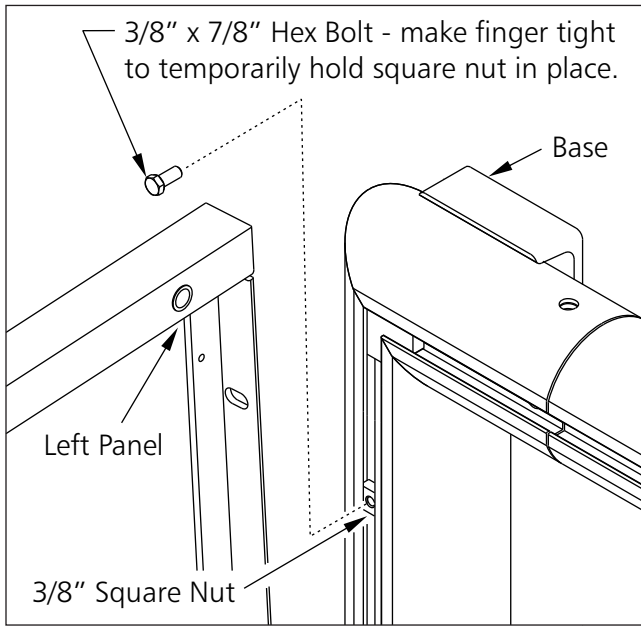


THIS UNIT MUST BE ANCHORED ACCORDING TO THESE INSTRUCTIONS AT ALL TIMES

▲WARNING

THIS EQUIPMENT MUST BE STORED IN A SECURED, SHELTERED AREA WHEN NOT IN USE OR IN THE THREAT OF HIGH WINDS. ANY WEATHER DAMAGE TO THIS EQUIPMENT WILL NOT BE COVERED UNDER KWIK GOAL'S PRODUCT GUARANTEE. DO NOT LEAVE THIS EQUIPMENT UNATTENDED.

6. Hardware for this step is in **Panel Hdw** packs.
 Attach right and left panels to assembled frame as shown.
Do NOT tighten bolts at this time.

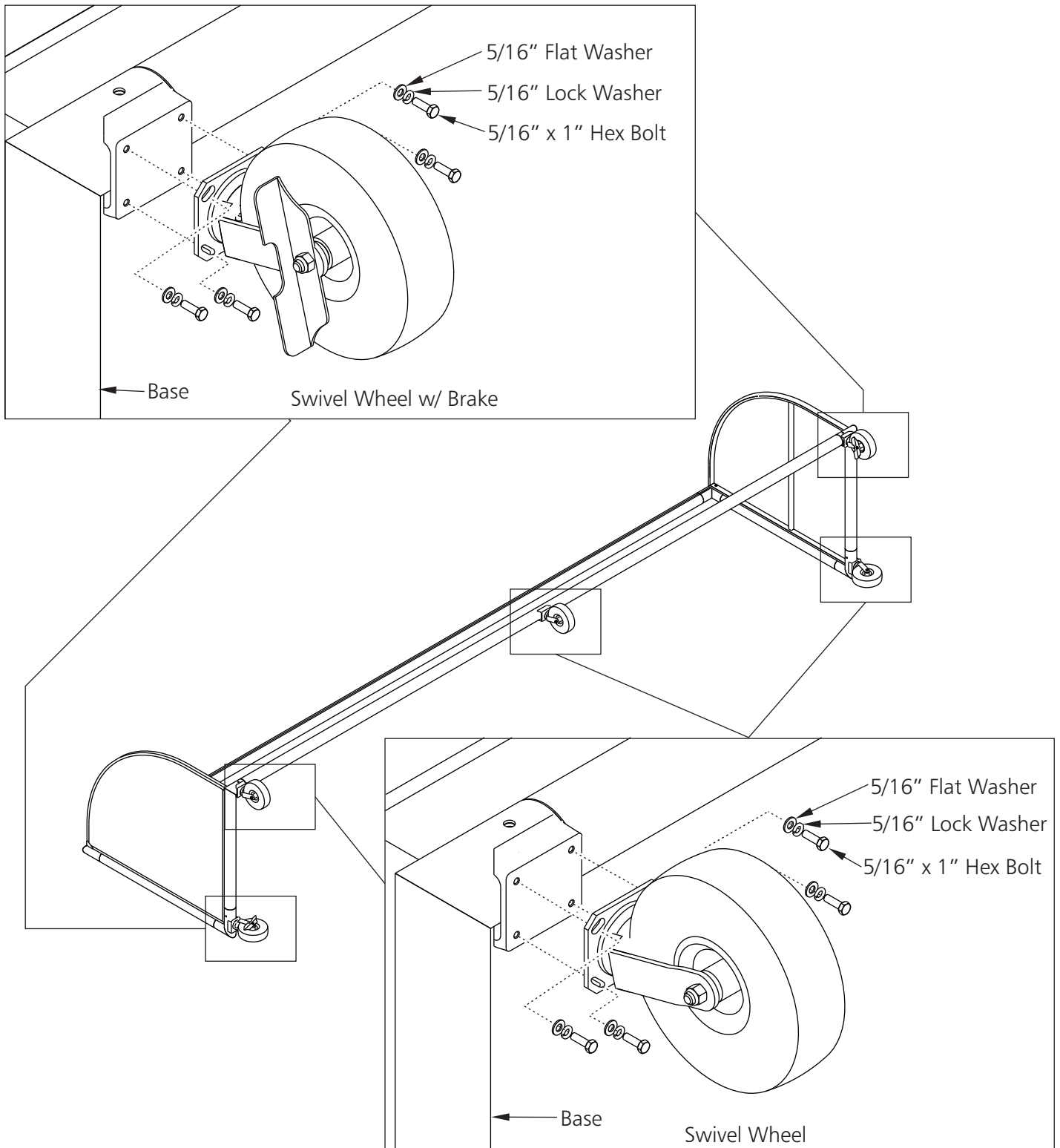


THIS UNIT MUST BE ANCHORED ACCORDING TO THESE INSTRUCTIONS AT ALL TIMES

▲WARNING

THIS EQUIPMENT MUST BE STORED IN A SECURED, SHELTERED AREA WHEN NOT IN USE OR IN THE THREAT OF HIGH WINDS. ANY WEATHER DAMAGE TO THIS EQUIPMENT WILL NOT BE COVERED UNDER KWIK GOAL'S PRODUCT GUARANTEE. DO NOT LEAVE THIS EQUIPMENT UNATTENDED.

7. Install swivel wheels - 10" diameter tires. Note suggested location of brakes as shown below.

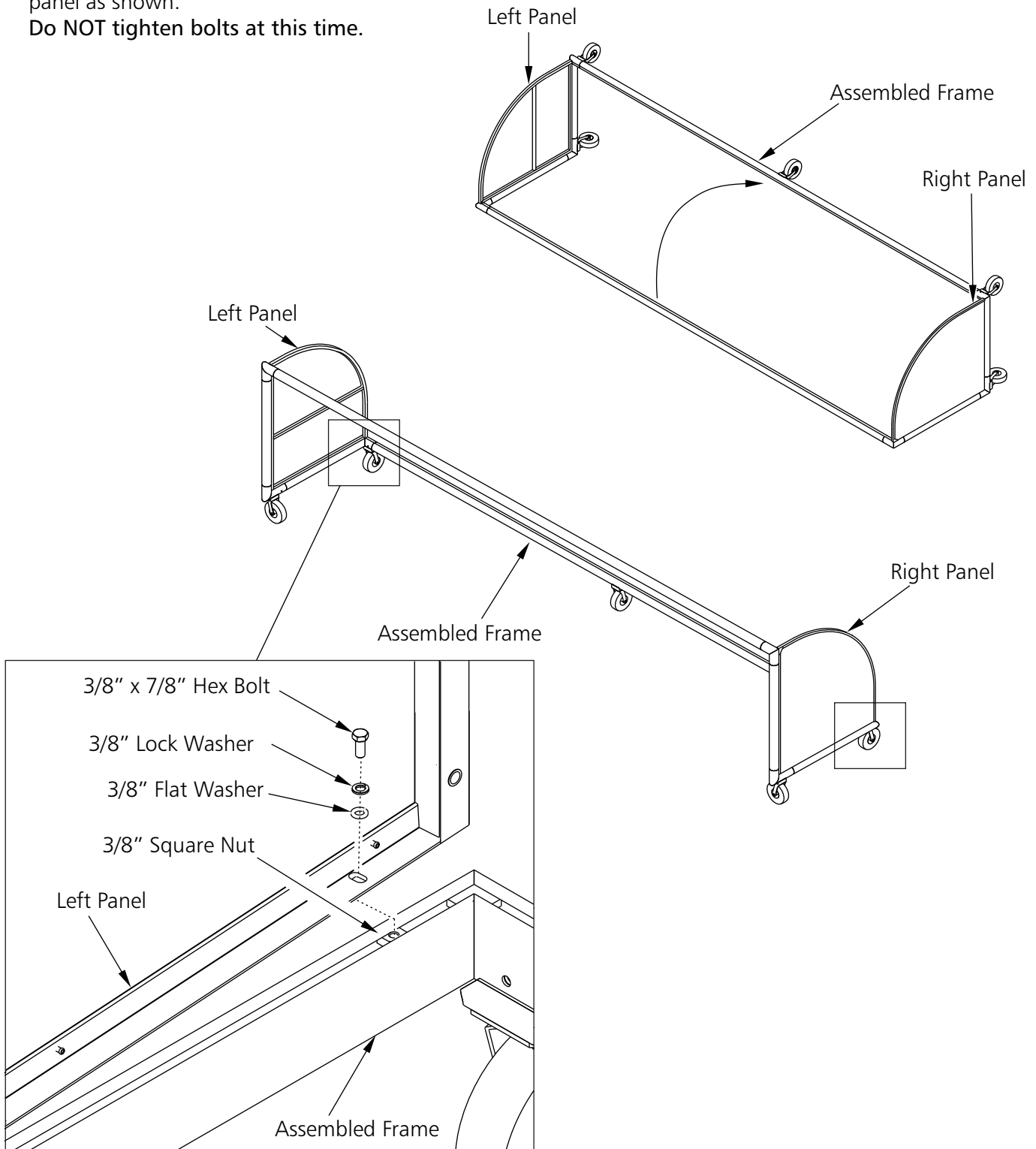


THIS UNIT MUST BE ANCHORED ACCORDING TO THESE INSTRUCTIONS AT ALL TIMES

▲WARNING

THIS EQUIPMENT MUST BE STORED IN A SECURED, SHELTERED AREA WHEN NOT IN USE OR IN THE THREAT OF HIGH WINDS. ANY WEATHER DAMAGE TO THIS EQUIPMENT WILL NOT BE COVERED UNDER KWIK GOAL'S PRODUCT GUARANTEE. DO NOT LEAVE THIS EQUIPMENT UNATTENDED.

8. Turn shelter frame onto base and remove temporary 3/8" X 7/8" bolt then connect bottom of right and left panel as shown.
Do NOT tighten bolts at this time.



THIS UNIT MUST BE ANCHORED ACCORDING TO THESE INSTRUCTIONS AT ALL TIMES

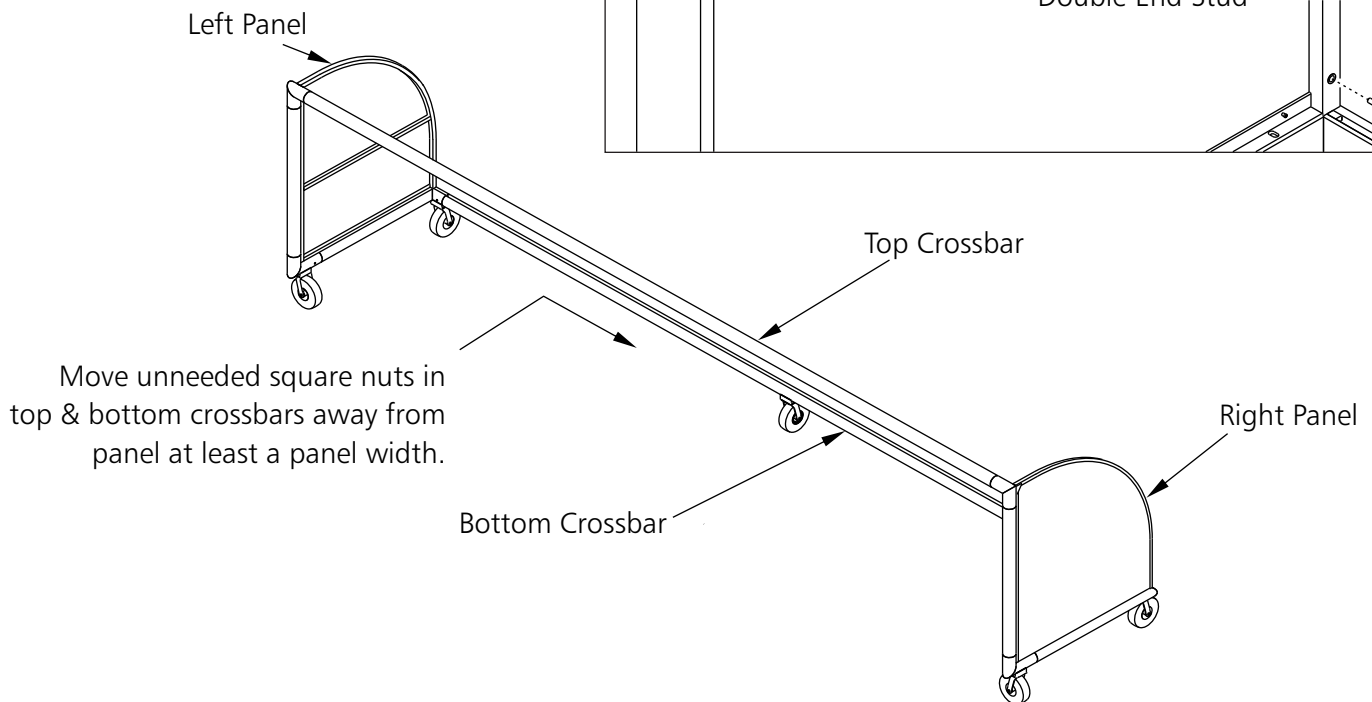
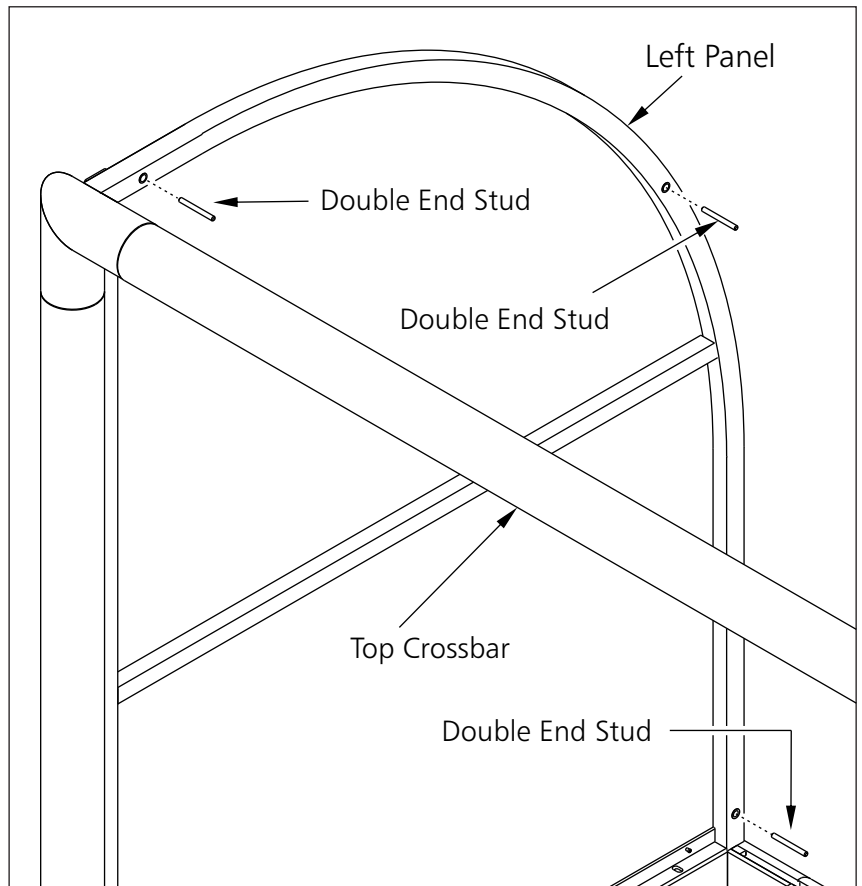
▲WARNING

THIS EQUIPMENT MUST BE STORED IN A SECURED, SHELTERED AREA WHEN NOT IN USE OR IN THE THREAT OF HIGH WINDS. ANY WEATHER DAMAGE TO THIS EQUIPMENT WILL NOT BE COVERED UNDER KWIK GOAL'S PRODUCT GUARANTEE. DO NOT LEAVE THIS EQUIPMENT UNATTENDED.

9. Hardware for this step is in **Panel Hdw** packs.

Insert double end studs into left panel. Move unneeded square nuts in top and bottom crossbars away from left side at least one center panel width.

Do NOT tighten bolts at this time.

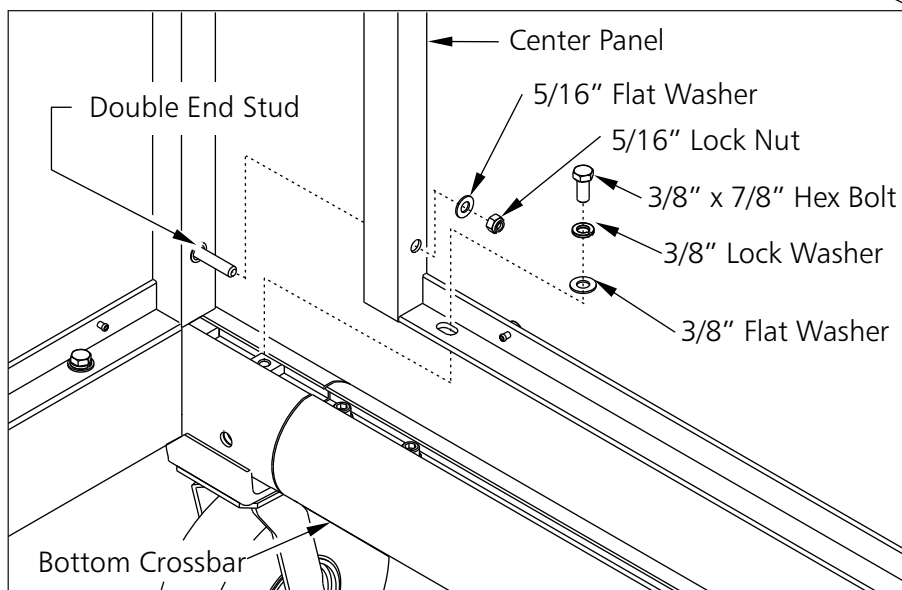
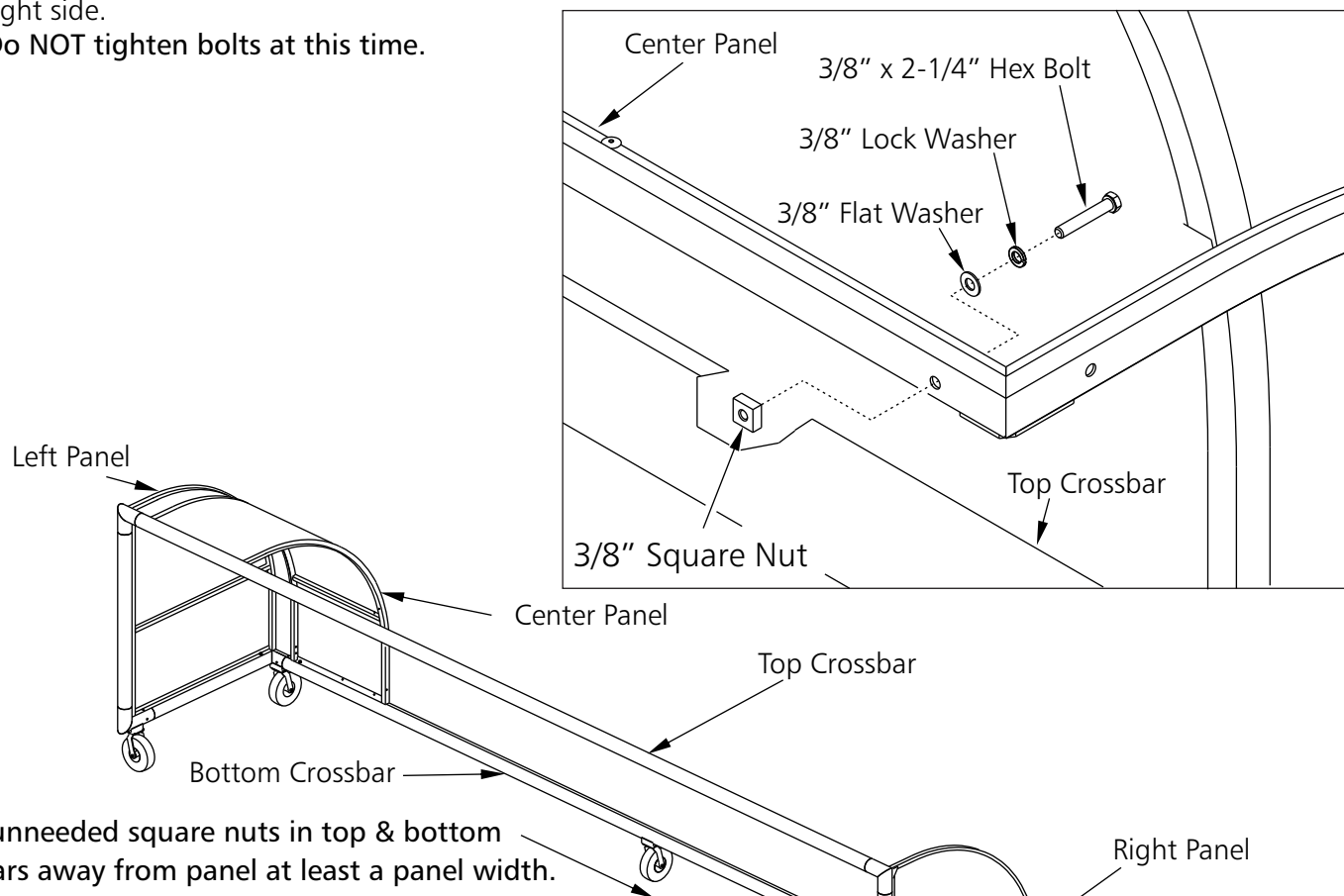


THIS UNIT MUST BE ANCHORED ACCORDING TO THESE INSTRUCTIONS AT ALL TIMES

▲WARNING

THIS EQUIPMENT MUST BE STORED IN A SECURED, SHELTERED AREA WHEN NOT IN USE OR IN THE THREAT OF HIGH WINDS. ANY WEATHER DAMAGE TO THIS EQUIPMENT WILL NOT BE COVERED UNDER KWIK GOAL'S PRODUCT GUARANTEE. DO NOT LEAVE THIS EQUIPMENT UNATTENDED.

10. Hardware for this step is in **Panel Hdw** packs.
 Line up square nut with holes in center panel and attach center panel to shelter frame. Slide center panel to mate with left panel lining up double end studs, as shown. Repeat steps 9 & 10 to attach center panel to the right side.
Do NOT tighten bolts at this time.



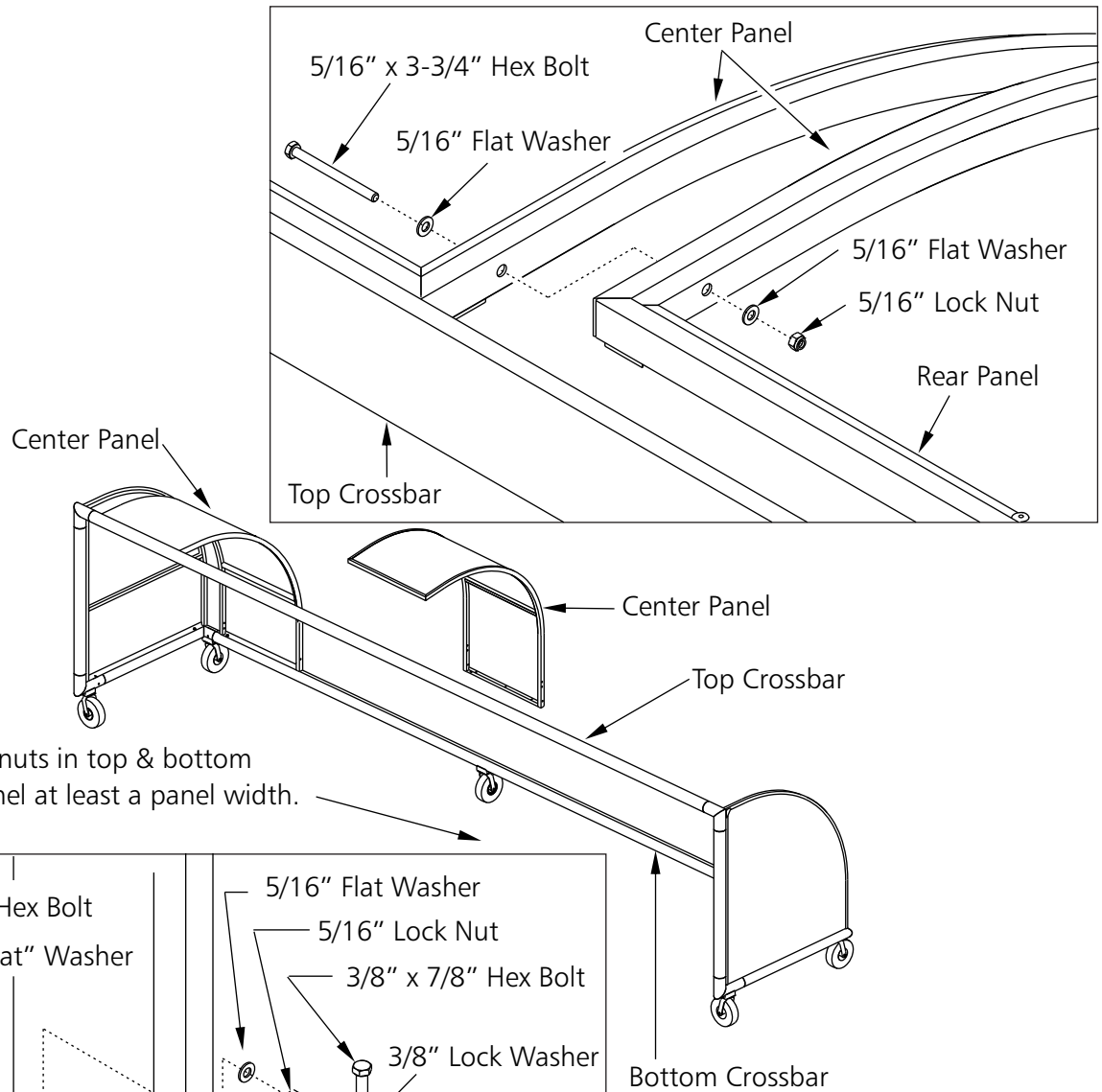
THIS UNIT MUST BE ANCHORED ACCORDING TO THESE INSTRUCTIONS AT ALL TIMES

▲WARNING

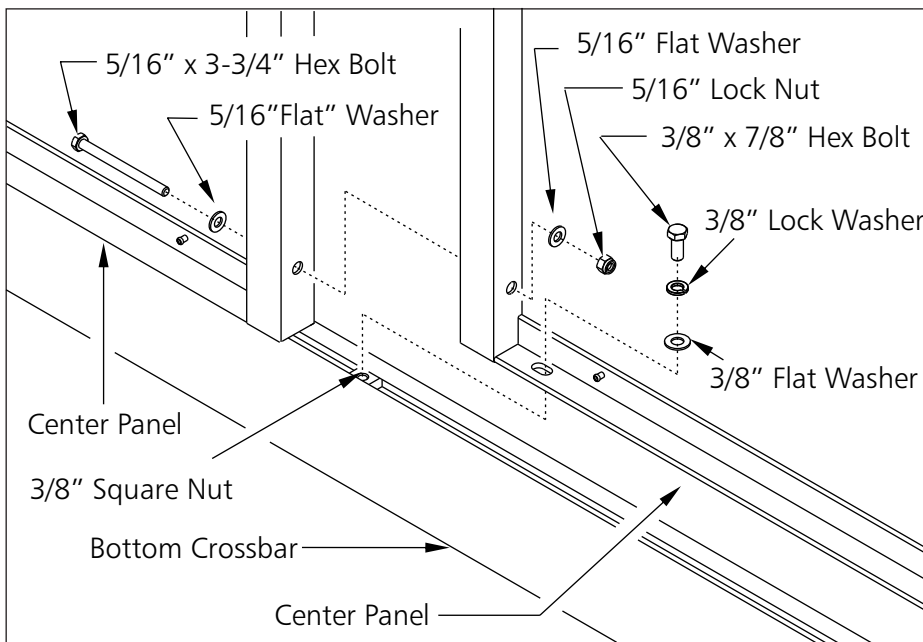
THIS EQUIPMENT MUST BE STORED IN A SECURED, SHELTERED AREA WHEN NOT IN USE OR IN THE THREAT OF HIGH WINDS. ANY WEATHER DAMAGE TO THIS EQUIPMENT WILL NOT BE COVERED UNDER KWIK GOAL'S PRODUCT GUARANTEE. DO NOT LEAVE THIS EQUIPMENT UNATTENDED.

11. Hardware for this step is in **Panel Hdw** packs.

Repeat step 10 to attach center panels to crossbars then connect center panels together until the only 1 center panel is left. Remember to move unneeded square nuts on top and bottom crossbars out from under the center panel being attached before bolting center panel in place.



Move unneeded square nuts in top & bottom crossbars away from panel at least a panel width.



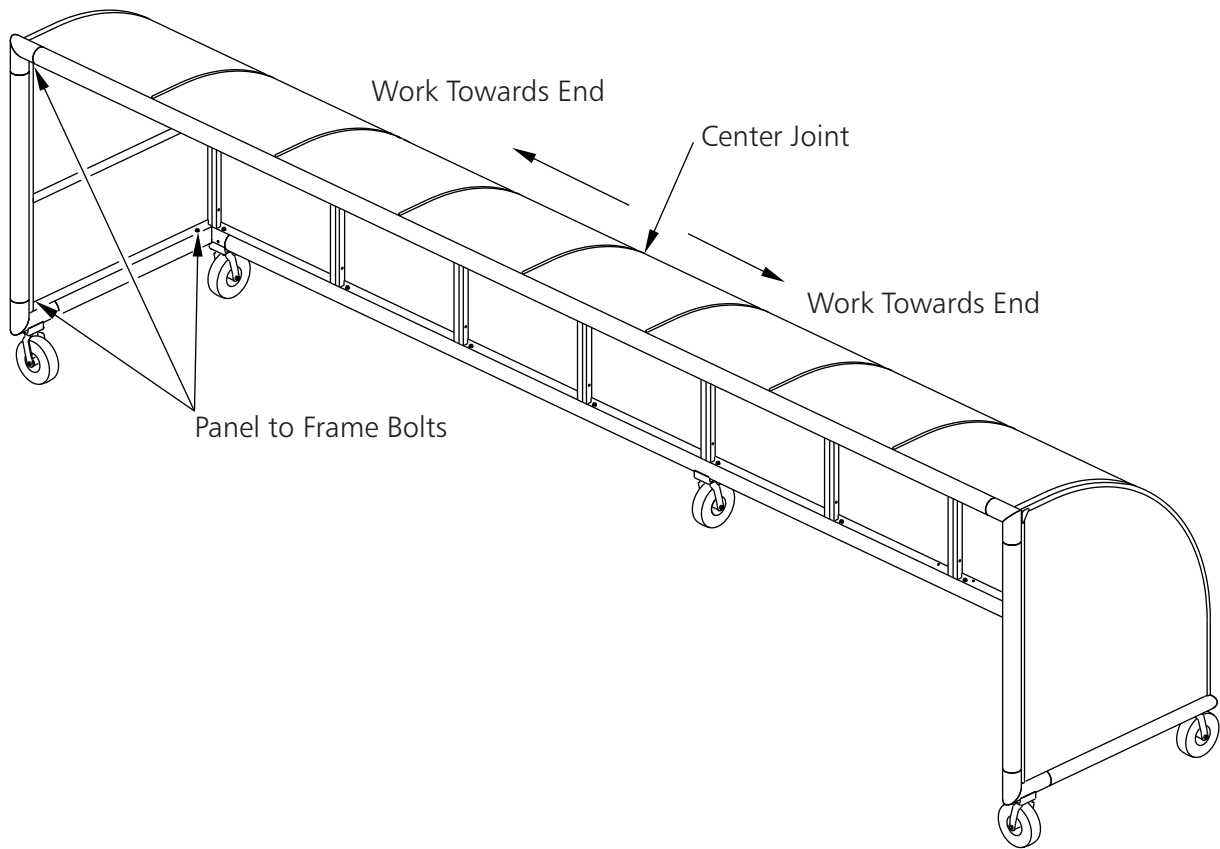
THIS UNIT MUST BE ANCHORED ACCORDING TO THESE INSTRUCTIONS AT ALL TIMES

▲WARNING

THIS EQUIPMENT MUST BE STORED IN A SECURED, SHELTERED AREA WHEN NOT IN USE OR IN THE THREAT OF HIGH WINDS. ANY WEATHER DAMAGE TO THIS EQUIPMENT WILL NOT BE COVERED UNDER KWIK GOAL'S PRODUCT GUARANTEE. DO NOT LEAVE THIS EQUIPMENT UNATTENDED.

12. If installing Bench or Molded Seating, skip to step 13.

If installing Luxury Seating, tighten all panel joint bolts. Begin at center joint and work outward. Tighten 3 bolts per joint. Tighten 3 panel frame bolts on each of the left and right end panels. Tighten panel to frame bolts at top and bottom of each center panel.



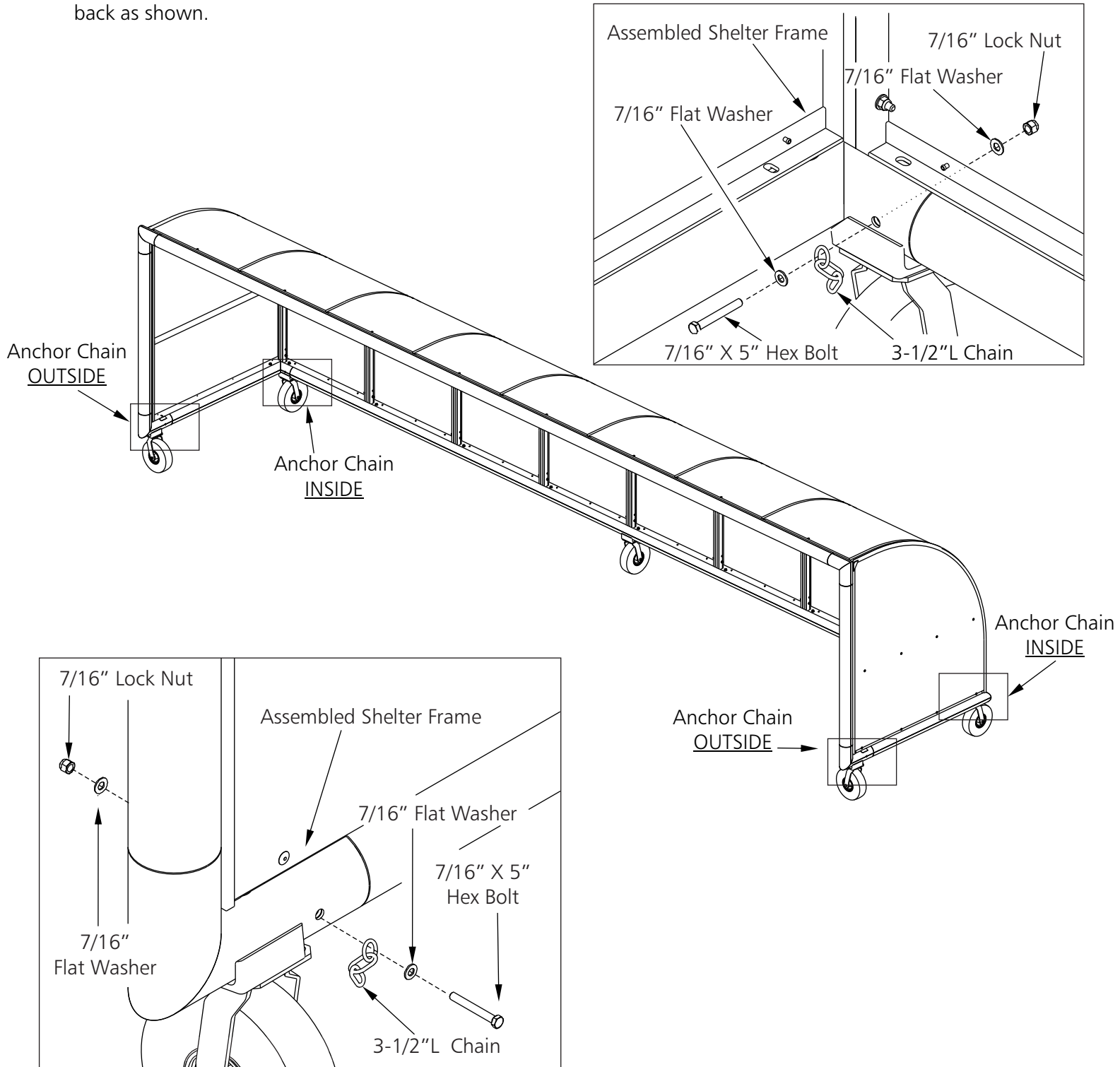
THIS UNIT MUST BE ANCHORED ACCORDING TO THESE INSTRUCTIONS AT ALL TIMES

▲WARNING

THIS EQUIPMENT MUST BE STORED IN A SECURED, SHELTERED AREA WHEN NOT IN USE OR IN THE THREAT OF HIGH WINDS. ANY WEATHER DAMAGE TO THIS EQUIPMENT WILL NOT BE COVERED UNDER KWIK GOAL'S PRODUCT GUARANTEE. DO NOT LEAVE THIS EQUIPMENT UNATTENDED.

13. Hardware for this steps 13 and 14 is in **Anchor Hdw** pack.

Attach anchor chain to shelter frame, 2 in the front on the outside and 2 on the inside at the back as shown.

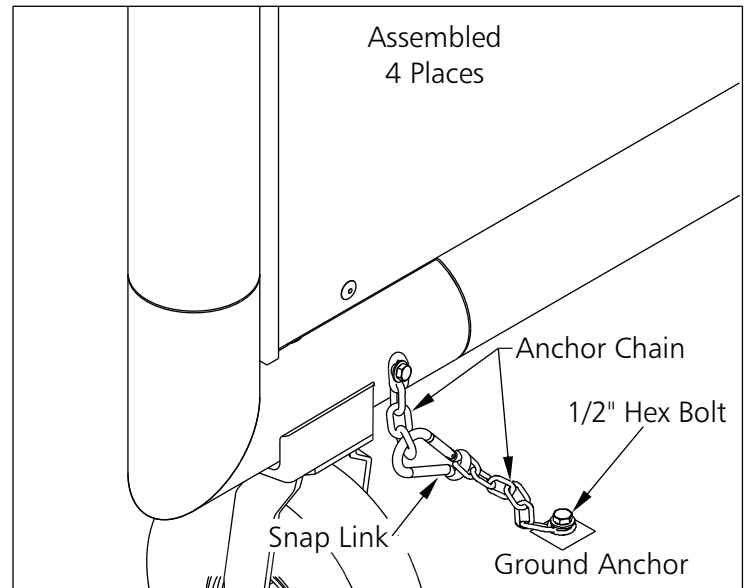
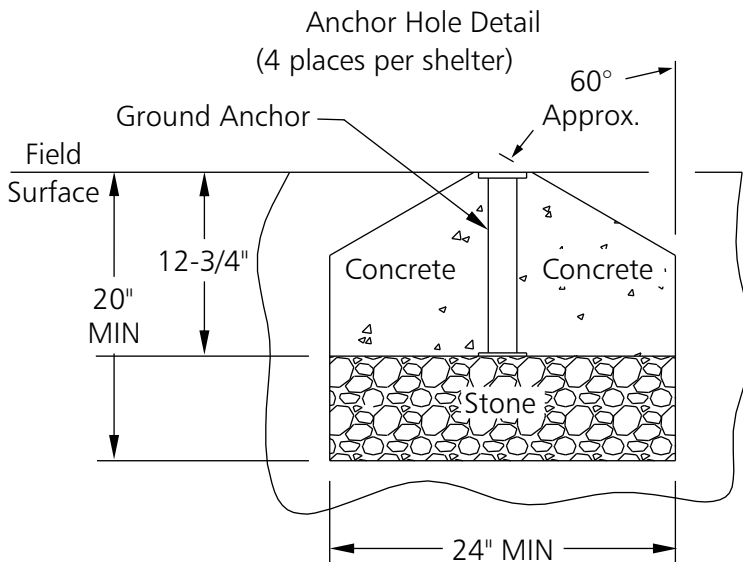
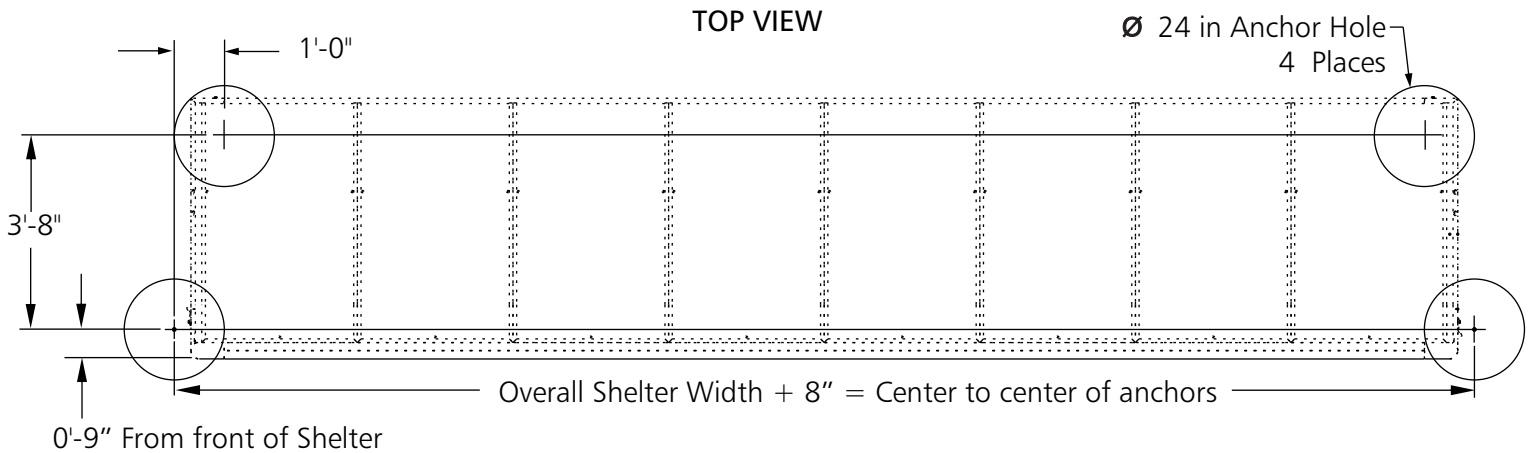
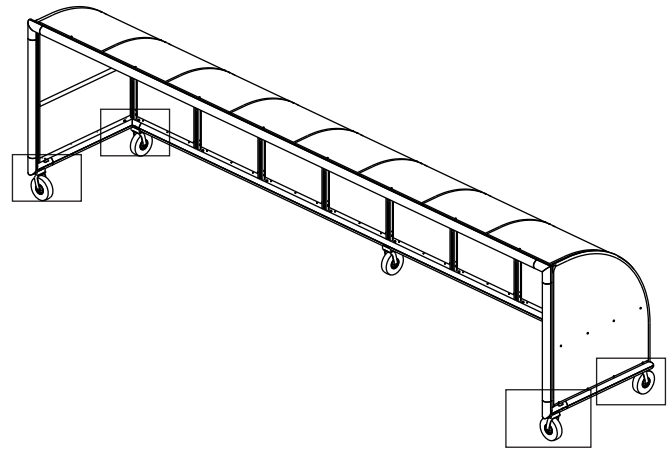


THIS UNIT MUST BE ANCHORED ACCORDING TO THESE INSTRUCTIONS AT ALL TIMES

▲WARNING

THIS EQUIPMENT MUST BE STORED IN A SECURED, SHELTERED AREA WHEN NOT IN USE OR IN THE THREAT OF HIGH WINDS. ANY WEATHER DAMAGE TO THIS EQUIPMENT WILL NOT BE COVERED UNDER KWIK GOAL'S PRODUCT GUARANTEE. DO NOT LEAVE THIS EQUIPMENT UNATTENDED.

14. Permanent ground anchors must be used at all times. Dig four holes according to the layout below. Note: areas subject to heavy frost may require depths as deep as 36". Prepare hole and add drain stone as shown. Install anchor in each hole and fill hole with concrete. Allow concrete to cure before attaching shelter to anchors. Use snap links to connect anchor chains. Upon completion of shelter frame, refer to seating instructions to complete your seating shelter.



THIS UNIT MUST BE ANCHORED ACCORDING TO THESE INSTRUCTIONS AT ALL TIMES

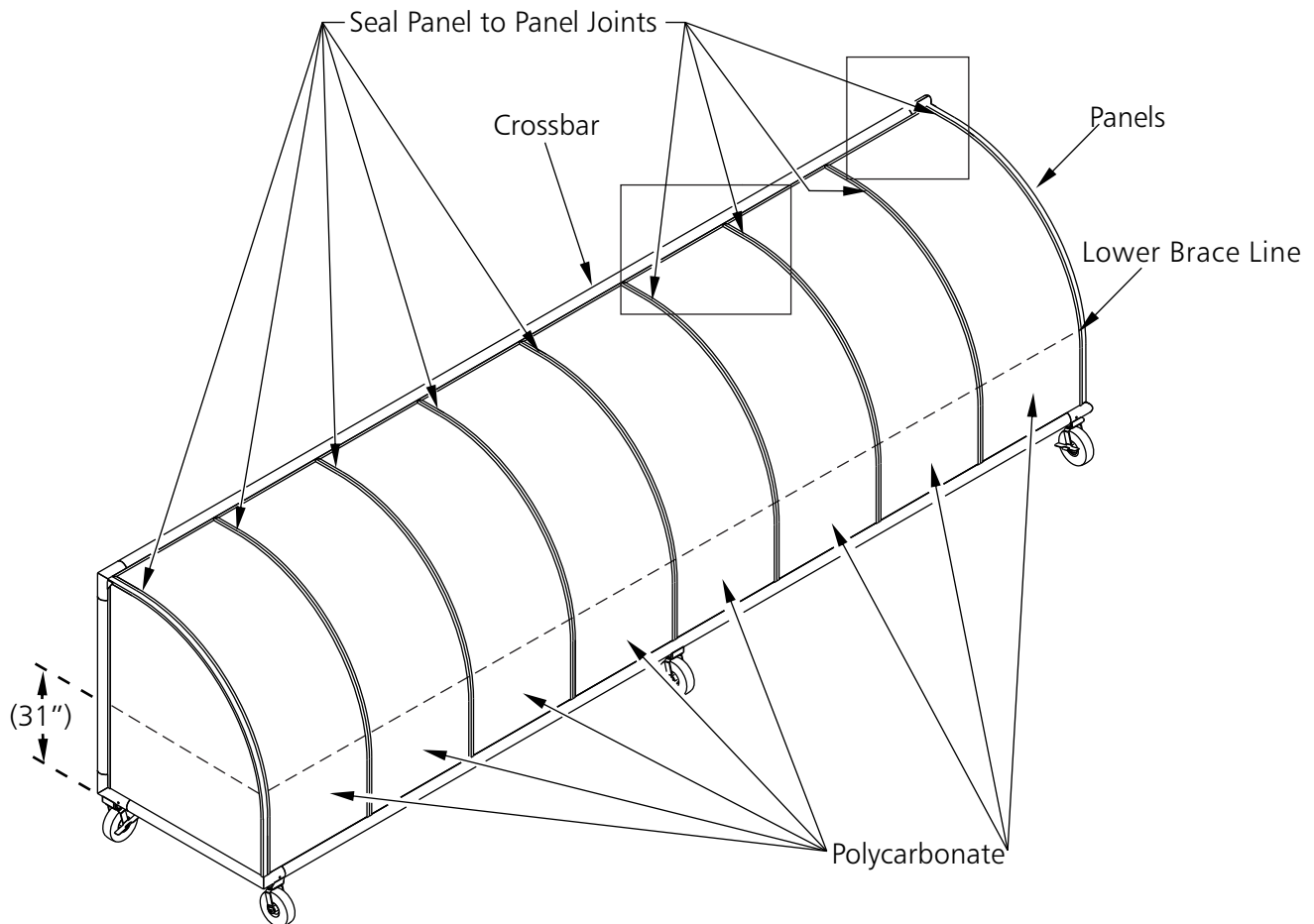
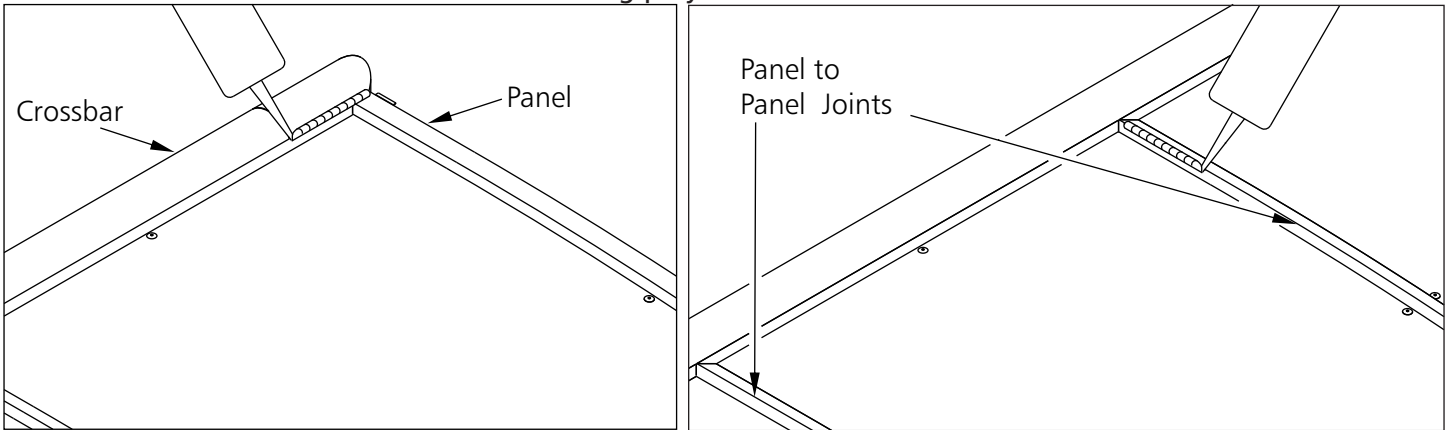
▲WARNING

THIS EQUIPMENT MUST BE STORED IN A SECURED, SHELTERED AREA WHEN NOT IN USE OR IN THE THREAT OF HIGH WINDS. ANY WEATHER DAMAGE TO THIS EQUIPMENT WILL NOT BE COVERED UNDER KWIK GOAL'S PRODUCT GUARANTEE. DO NOT LEAVE THIS EQUIPMENT UNATTENDED.

15. If desired, panel joints may be sealed with a small bead of urethane sealant. Seal across crossbar to panel joint, then panel to panel joints.

NOTE: Panel to panel joints should only be sealed between crossbar and lower brace of panels. Sealant below lower brace line is not necessary.

Prevent sealant material from contacting polycarbonate.



Go to kwikgoal.com for additional product information.

THIS UNIT MUST BE ANCHORED ACCORDING TO THESE INSTRUCTIONS AT ALL TIMES

▲WARNING

THIS EQUIPMENT MUST BE STORED IN A SECURED, SHELTERED AREA WHEN NOT IN USE OR IN THE THREAT OF HIGH WINDS. ANY WEATHER DAMAGE TO THIS EQUIPMENT WILL NOT BE COVERED UNDER KWIK GOAL'S PRODUCT GUARANTEE. DO NOT LEAVE THIS EQUIPMENT UNATTENDED.