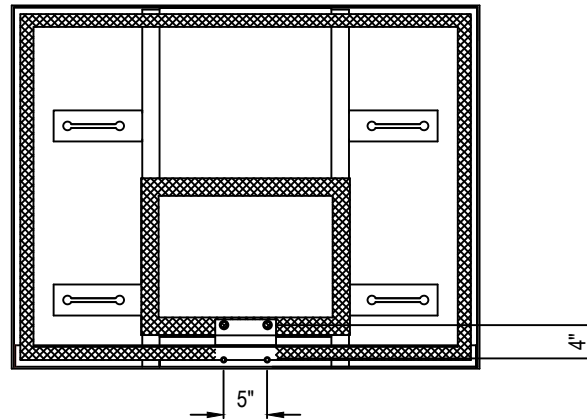
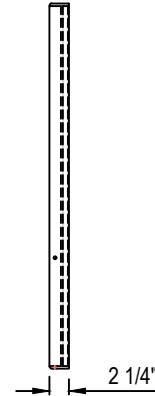


PRODUCT SPECIFICATION

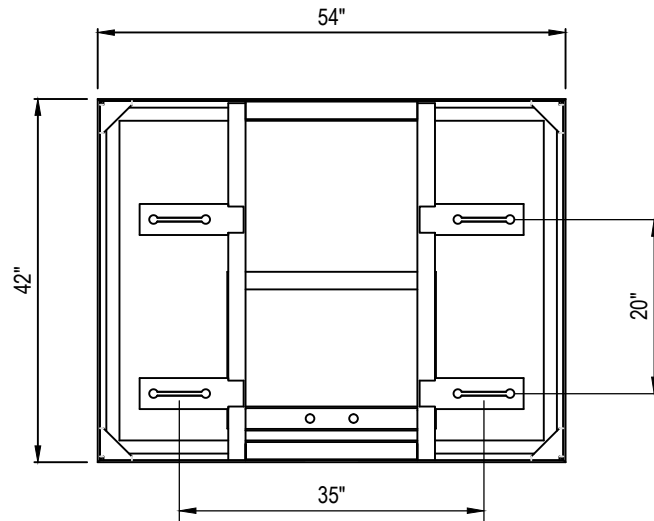
BA407C SIDE COURT CONVERSION GLASS BACKBOARD



FRONT



SIDE



REAR

Backboard shall be constructed of $\frac{1}{2}$ " thick tempered glass and measure 54" x 42". Frame shall be aluminum extrusion held together in the corners by means of 7 ga. steel corner brackets. A single welded tubular steel framework shall be mounted into the rear side of the backboard to facilitate mounting the backboard to wall or ceiling mounting structures that were designed to support fan-shaped backboards with industry standard 20" x 35" mounting patterns. Rim mounting bolts shall pass through tubular steel bushings that are separated from the glass by means of rubber bushings. An official sized shooter's square and border shall be fire impregnated on the backboard. Backboard shall accept rims that have a 5" x 4" mounting pattern. Installation to be completed in accordance with manufacturer's instructions. Do not scale drawings. Backboard shall carry an unconditional lifetime warranty and weigh 175#.