

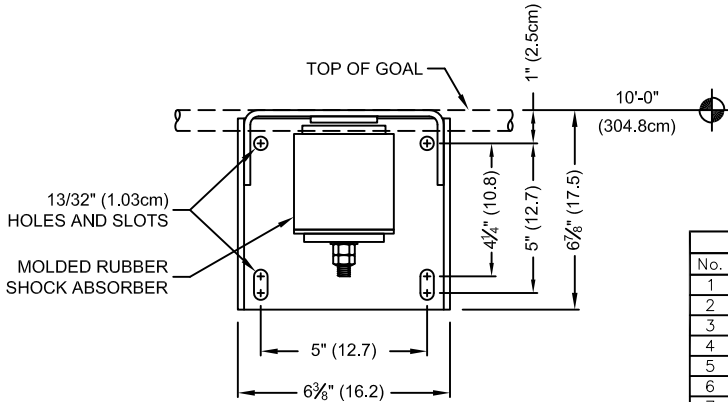
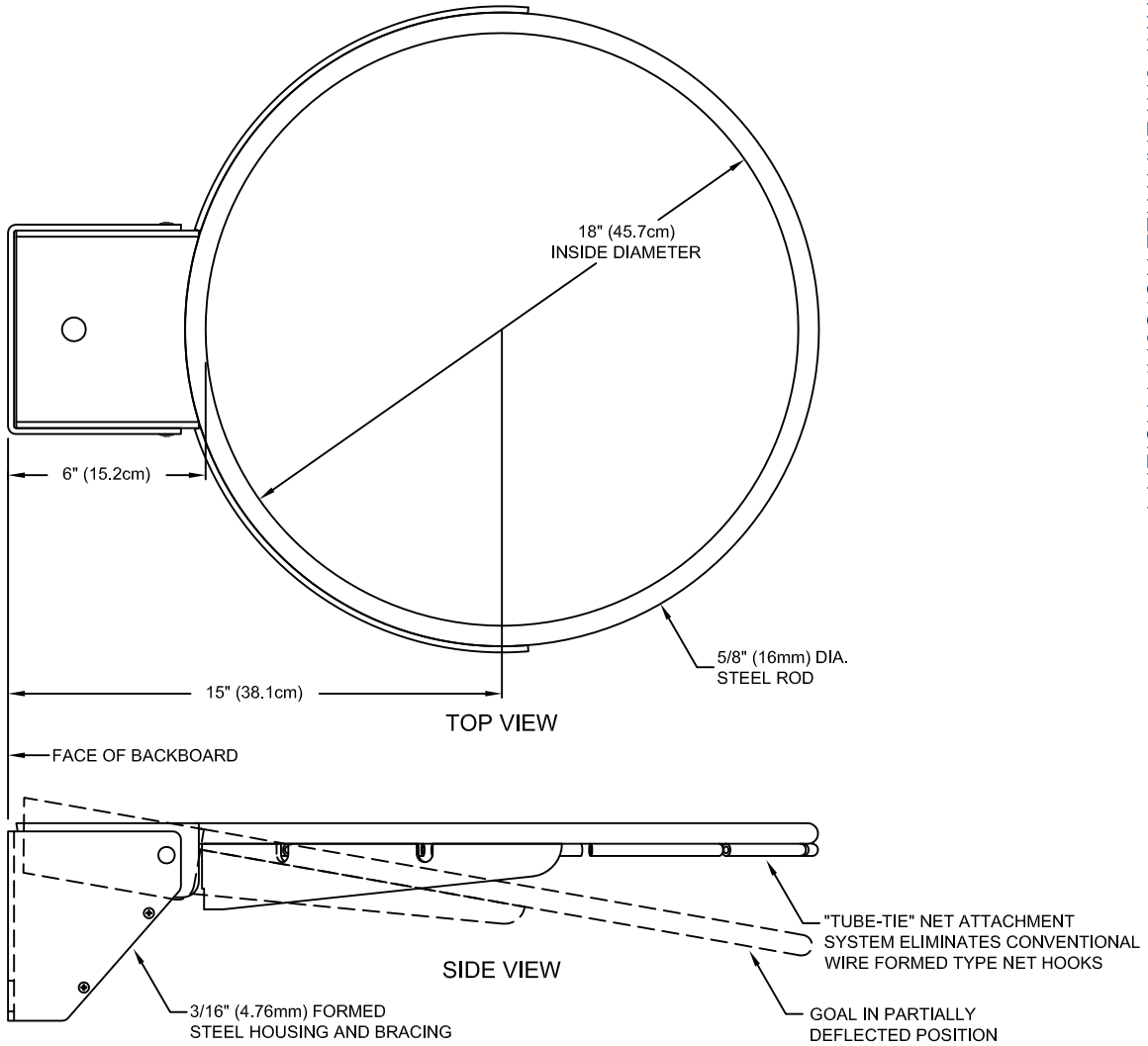
# 23302 - POWR-FLEX GOAL

WITH TUBE TIE NET ATTACHMENT, MOUNTING HARDWARE, AND NET

**Porter**  
WWW.PORTERATHLETIC.COM/FACILITY

BASKETBALL SPECIFICATION SHEET

B-23302



GOAL MOUNTING PLATE DETAIL  
(With Cover Plate Removed)

No.		QTY.		PARTS LIST		DESCRIPTION	
1	1	GOAL 00095		GOAL ASSEMBLY			
2	1	09608 000		ANTI-WHIP NET			
3	4	HDWE 01217 0EO		3/8" x 3 1/2" Lg. HEX HEAD TAP BOLT (Grade 5)			
4	4	HDWE 05004 0EO		3/8" FLATWASHER			
5	4	HDWE 04002 0EO		3/8" LOCKWASHER			
6	4	HDWE 03002 0EO		3/8" HEX NUT			
7	4	PCAP 00040 002		THREAD PROTECTOR			

23302 WITH MOUNTING HARDWARE AND NYLON NET  
SEE B-200 FOR COMPATABLE BACKBOARDS

**Porter**<sup>®</sup>

888-277-7778 PORTER@PORTERATHLETIC.COM  
© COPYRIGHT 2012 PORTER ATHLETIC - ALL RIGHTS RESERVED

PROJECT NUMBER

PROJECT NAME

2/4/2013

# 23302 - POWR-FLEX GOAL

WITH TUBE TIE NET ATTACHMENT, MOUNTING HARDWARE, AND NET

## SPECIFICATIONS

Shock absorption feature shall be provided by means of a special, offset hinge arrangement rim and backplate mounting housing and a concealed molded rubber shock absorber. Hinge shall be positioned to place goal return impact forces in shear (parallel) to minimize oscillation induced into the face of the backboard. Shock absorber shall be molded from a special rubber formulation (spec. D-2000 ASTM 2 BC 725 B14C12FI7G2I) to dampen and minimize vibrations and fatigue in backboard. Front of rim shall deflect downward up to 2-1/16" when a static load of 250 pounds is applied and instantly return to playing position when load is released.

Function of goal shall meet the NCAA specifications on moveable rims, which states "A moveable basket ring shall have rebound characteristics identical to those of a non-moveable ring." Goal shall be set at factory for proper flex and rebound requirements.

Rim shall be fabricated from 5/8" diameter cold drawn alloy steel, round formed to an 18" inside diameter ring. Inside diameter of ring shall be positioned 6" from face of backboard by a heavy formed steel, hinged type housing with a removable cover to conceal mounting bolts and entire shock absorption mechanism of goal, and also protect against finger entrapment. Goal mounting plate shall be provided with hardware and a 5" x 5" mounting hole pattern for front mounting on standard glass, wood and fiberglass type backboards and is also compatible for use with all Center-Strut direct mount type support frames.

Rim shall be rigidly braced by means of a 3/16" (4.7mm) thick formed and die cut steel brace welded in position on the underside of the rim for maximum support. Rim shall be provided with a unique "tube-tie" net attachment system to eliminate the conventional wire-formed type net locks for additional player safety.

Goal shall be furnished in a durable, official orange powder-coat finish.

Goal shall be furnished complete with plated mounting hardware and an anti-whip net. Mounting bolts shall be SAE Grade 5.

For details on compatible backboards see B-200.

## WARRANTY

- 23302 goals furnished with a 5-year limited warranty.

## OPTIONAL ITEMS (SEE SPECIFICATION SHEETS FOR DETAIL)

- Fair-Court Basketball Rim Testing System (ERT2003NCAA)
- RING001 - Training aid shooters ring
- RING002 - Training aid rebound ring