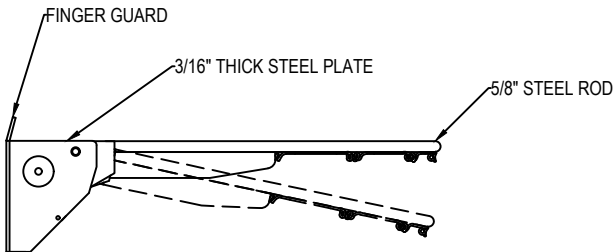
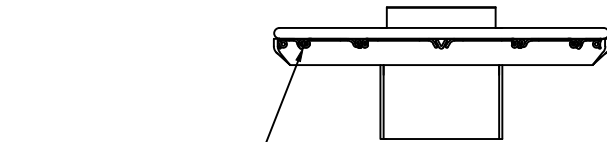


# PRODUCT SPECIFICATION

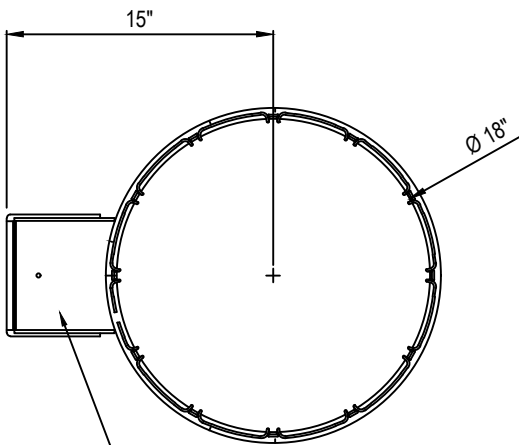
BA35 ProTech™ COMPETITION BREAKAWAY GOAL



SIDE

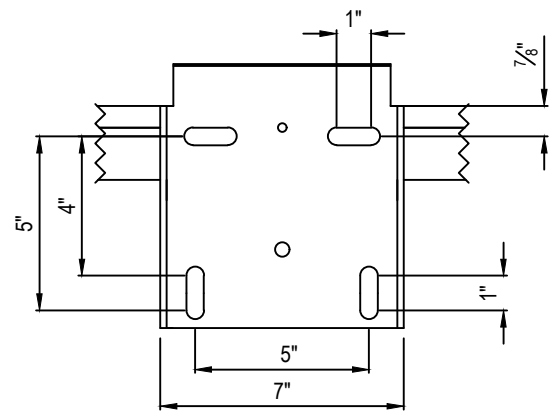


FRONT



BOTTOM

RIM PLATE 3/16" STEEL PLATE



REAR

Goal shall be constructed using 5/8" diameter high strength AISI 1018 cold drawn carbon steel ring with continuous wire netlocks to accept anti-whip nylon net (included). All backplate components shall be constructed of 3/16" thick steel. The mounting plate shall be punched with hole patterns for mounting to 42" x 72" rectangular, 48" x 72" rectangular and 54" x 39" fan-shaped glass backboards. The rim support brace shall be 1/4" x 1 1/2" steel and provide continuous support for 180° of the circumference of the 5/8" ring. The breakaway mechanism shall be of the positive lock design, factory preset. An automatic return shall be provided by means of two return springs which shall also cushion the breakaway action when the pressure release setting has been exceeded. Two hardened steel balls shall be contained in a tubular assembly with each being forced outward with equal pressure by a single spring. The balls shall nest on each side of the rim/backplate assembly in a hardened detent. Said ball/detent mechanism shall provide proper breakaway pressure. All pinch points shall be eliminated for player safety. Entire mechanism shall be covered by a steel coverplate. All components shall be coated with an official orange powder coated finish. Installation to be completed in accordance with manufacturer's instructions. Do not scale drawings. Goal shall carry an unconditional 3-year replacement warranty, be manufactured in the USA and meet all NCAA and National High School Federation standards and weighs 23#.