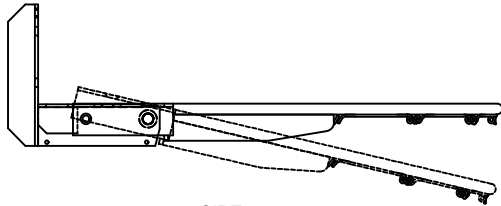
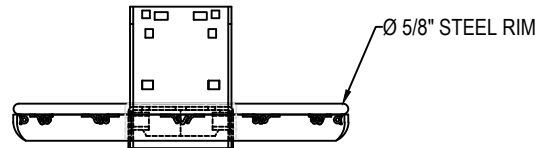


PRODUCT SPECIFICATION

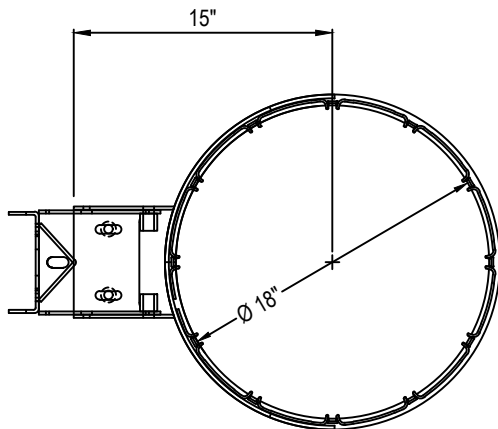
BA32RXT FLEX-COURT REAR MOUNT FLEX GOAL



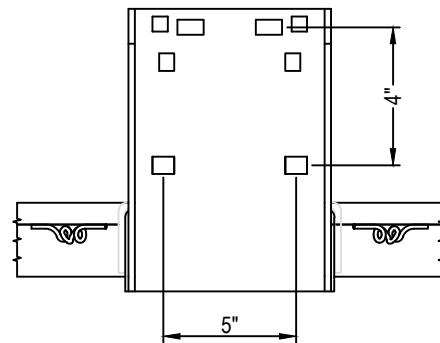
SIDE



FRONT



BOTTOM



REAR

Rim shall be of a flexible type so as to absorb the shock of player contact. Rim shall have a one piece continuous line net attachment system to accept nylon net (included). Spring action shall be provided by no less than two square wire die springs. The ring shall be an official size 5/8" AISI 1018 cold drawn carbon steel and be supported by a 1/4" x 1 1/2" rim support that is welded around 180° of the bottom of the ring. All structural components shall be not less than 3/16" thick. Rims shall be punched to mount on any rear mount backboard, have a 1-year limited warranty and an orange powder coated finish. Mounting hardware shall be included. Rim shall be made in the USA and weigh approximately 20#. Installation to be completed in accordance with manufacturer's instructions. Do not scale drawings.