

PLEASE NOTE:

- 1) FOR SAFE OPERATION AND CONTINUED HIGH PERFORMANCE FROM THIS EQUIPMENT, INSPECTION AND MAINTENANCE MUST BE PERFORMED BEFORE EACH USE
- 2) USE OF THIS EQUIPMENT OTHER THAN INTENDED, MAY BE HAZARDOUS.
- 3) ALTERATION OR MODIFICATION OF EQUIPMENT MAY BE HAZARDOUS. FOR REPAIR OR REPLACEMENT, PLEASE CALL YOUR DEALER

**SEE BASE DIAGRAM FOR
INSTALLATION OF "SAFETY
BOLT" AND ROLL-A-WAY
BASE WHEELS.**

Jaypro Sports

976 Hartford Turnpike
Waterford, CT 06385 USA
(800)243-0533
(800)988-3363 Fax
www.jaypro.com

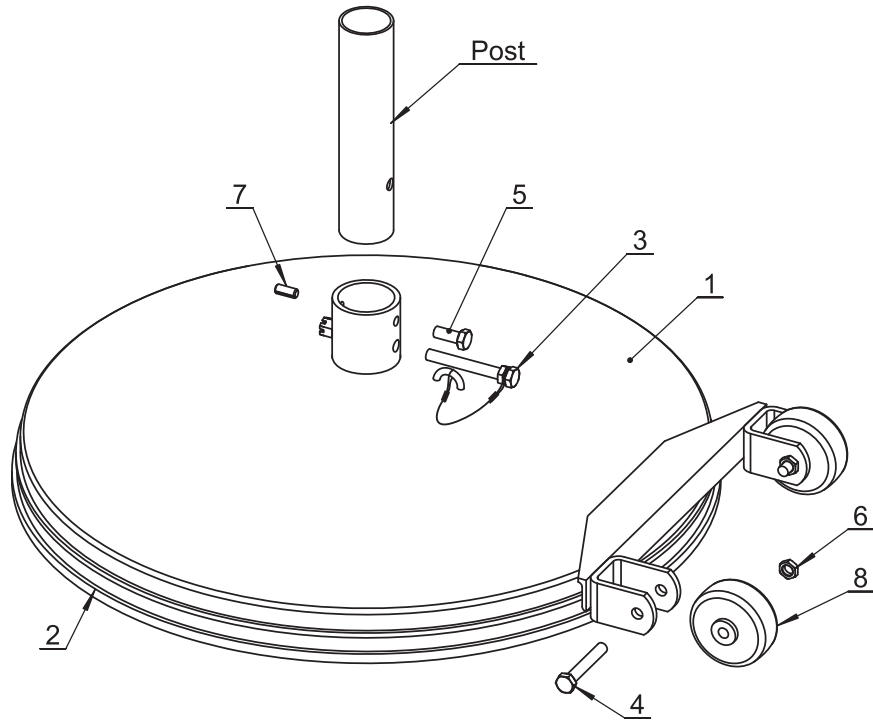
MODEL NO.:
MP-180R/MP-500R/MP-5210R

PRODUCT NAME:
MULTI-PURPOSE BASIC
GAME STANDARD

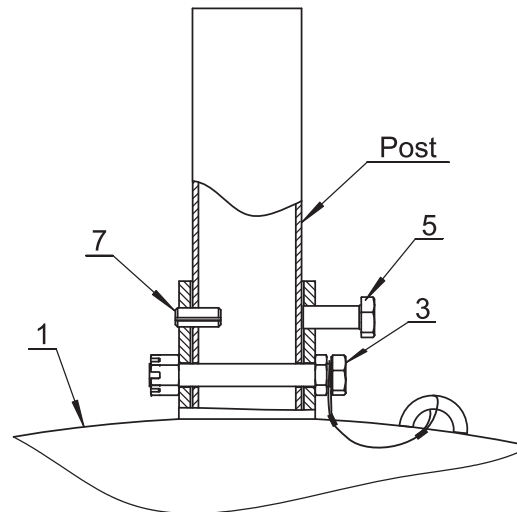
DRAWN BY: JAC

EFFECTIVE DATE:
4-24-03

ASSEMBLY INSTRUCTIONS
75-BASE, 145-BASE & 220-BASE
800-243-0533
www.jaypro.com



Assembly section
view after post
being installed.



- PLEASE NOTE:
- 1) FOR SAFE OPERATION AND CONTINUED HIGH PERFORMANCE FROM THIS EQUIPMENT, INSPECTION AND MAINTENANCE MUST BE PERFORMED BEFORE EACH USE
 - 2) USE OF THIS EQUIPMENT OTHER THAN INTENDED, MAY BE HAZARDOUS.
 - 3) ALTERATION OR MODIFICATION OF EQUIPMENT MAY BE HAZARDOUS. FOR REPAIR OR REPLACEMENT, PLEASE CALL YOUR DEALER

CAUTION
UNIT TO BE MOVED
BY ADULTS ONLY



ASSEMBLY INSTRUCTIONS
75-BASE, 145-BASE & 220-BASE
800-243-0533
www.jaypro.com

Parts list

Item#	Parts description	Qty
1	Base	1ea
2	Rubber band	1ea
3	Safety bolt M10x80	1ea
4	Hex bolt M10x65	2ea
5	Hex bolt M10x25	1ea
6	Lock nut M10	2ea
7	Slotted lock pin 8mm	1ea
8	Wheels	2ea

Tools required:

Hammer
Adjustable wrench
17mm open end wrench

Wheel installation

Put wheel in the wheel bracket, slide one Hex bolt #4 M10x65 thru bracket and wheel, secure it with M10 nut.

SAFETY BOLT INSTRUCTIONS

- 1 Insert post into base hub and line up safety bolt hole in post with center hole of hub.
- 2 Thread special bolt with safety cable through large center hole in support hub so that it goes through upright and engages jam nut welded on hub.
- 3 Using hammer, engage slotted lock pin #7 into hub and lock pin flush with outside of hub.
- 4 Screw #5 Hex bolt M10x25 to the threaded hole and tighten securely.



IMPORTANT SAFETY NOTE:

The nature and purpose of this equipment requires that the base carry considerable weight. Please exercise reasonable caution when moving the base from one location to another. For best results, stand behind the stanchion near the wheels, grasp the upright and place your foot on the axel between the wheels. Then pull back on the upright until the wheels have touched the floor. Hold the upright firmly and balanced the unit on its wheels. Point the base in the proper direction and push, **never pull**, the unit toward the chosen location. Exercise additional caution and attention when crossing door jams, floor grates, or other obstructions.

CAUTION

DO NOT ALLOW ANY PERSONS APPROACH THE VICINITY OF THE UNIT WHILE IT IS BEING TRANSPORTED. KEEP ALL PERSONS CLEAR OF THE BASE WHILE IT IS TILTED ON ITS SIDE.

IMPORTANT SAFETY NOTICE

Portable multi-purpose game standards can be dangerous if not properly assembled, inspected, maintained and used. Under certain conditions, the assembly fasteners, wheels or other important components may fail causing serious injury to the users. Please read the following guidelines and pass this information along to all involved individuals.

USE AND MAINTENANCE GUIDELINES

- 1) Game standards are sophisticated and complex gymnasium apparatus and require set-up and handling by trained supervisory personnel only. Do not allow untrained individuals, such as students, to assemble, set-up, or move portable game standards.
- 2) Inspect each standard fully before every use. Check that all fasteners are installed correctly and that none of the moving parts show signs of excessive wear. Questionable parts should be removed from service and replace immediately.
- 3) The performance nature of many portable game standards requires a heavy base weight for proper stability. Under all circumstances, and particularly when the standards are being moved over door thresholds or other obstruction, extreme care and caution while handling these units is vital.
- 4) If the instructional or cautionary labels included with the game standards become worn or faded with use and time, contact the manufacturer or distributor for replacement immediately.
- 5) Older game standards are particularly susceptible to malfunction due to the cumulative effects of constant use and material fatigue. Product in excess of ten years old should be seriously considered for replacement.
- 6) Do not alter the original product or use the product for any purpose other than that for which it was designed and intended to be used.