

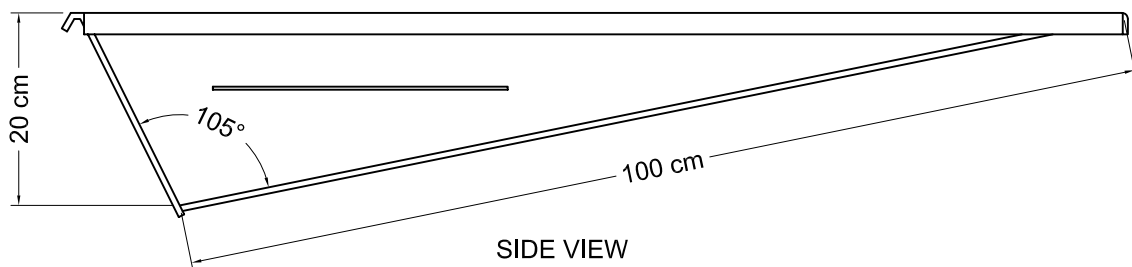
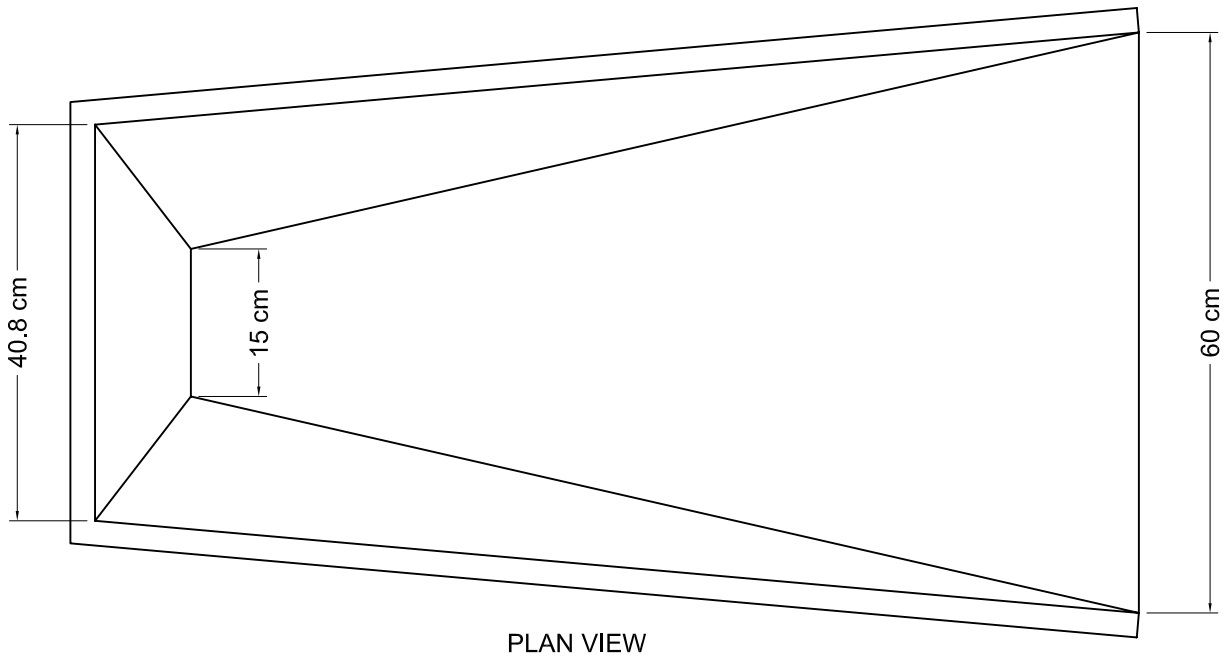


www.gillathletics.com
800-637-3090

502 - ALUMINUM VAULT BOX SPECIFICATIONS

SPECIFICATIONS

The 502 Aluminum Vault Box is fabricated from 6061 structural aluminum tempered to a T6 condition. The sides of the box are cut and folded from 1/8" [3.2mm] thick sheet. The box bottom and backstop plates are formed from 1/4" [6.4mm] plate welded to the sides along the outside edges. Outer edges of the box are folded down to eliminate sharp edges. Two outer side wings secure the box position when placed in concrete.

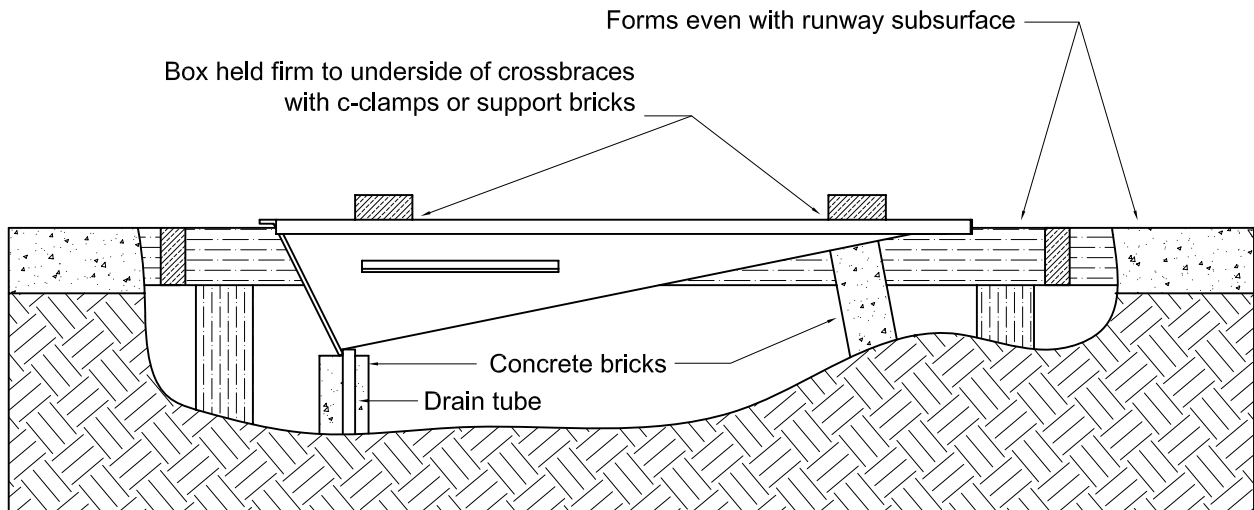
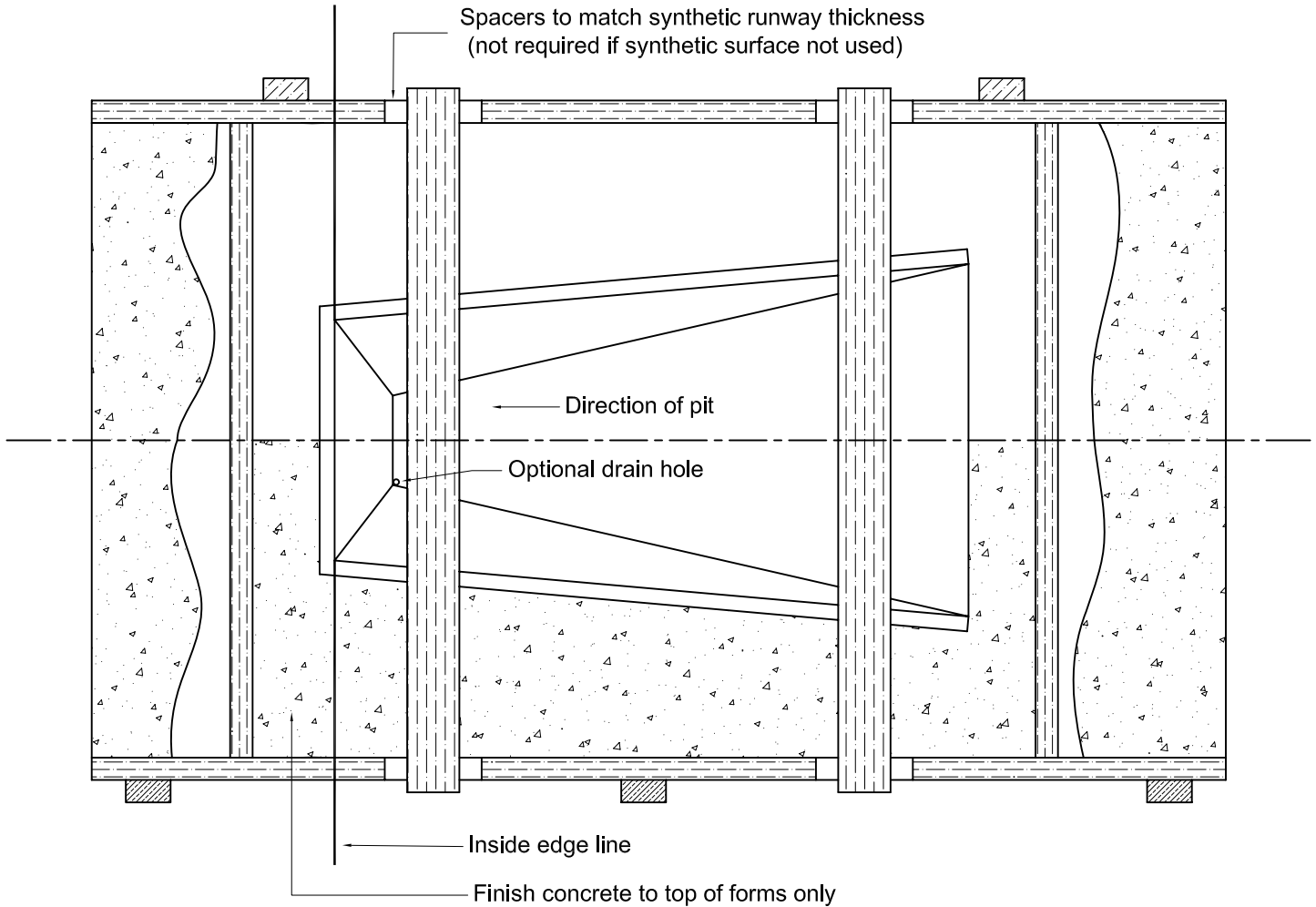




www.gillathletics.com
800-637-3090

500 SERIES VAULT BOXES 500, 502, & 504 INSTALLATION INSTRUCTIONS

INSTALLATION OF BOX IN NEW OR EXISTING RUNWAY



NOTICE: All installations should be conducted by experienced contractors and in accord with all applicable codes, laws and regulations. Suggested instructions herein are illustrative only and should be adapted to suit local requirements. Gill Athletics is not responsible for the manner in which these products are installed.

GILL ATH
10/24/04

Copyright ©2005 by Gill Athletics. All rights reserved.

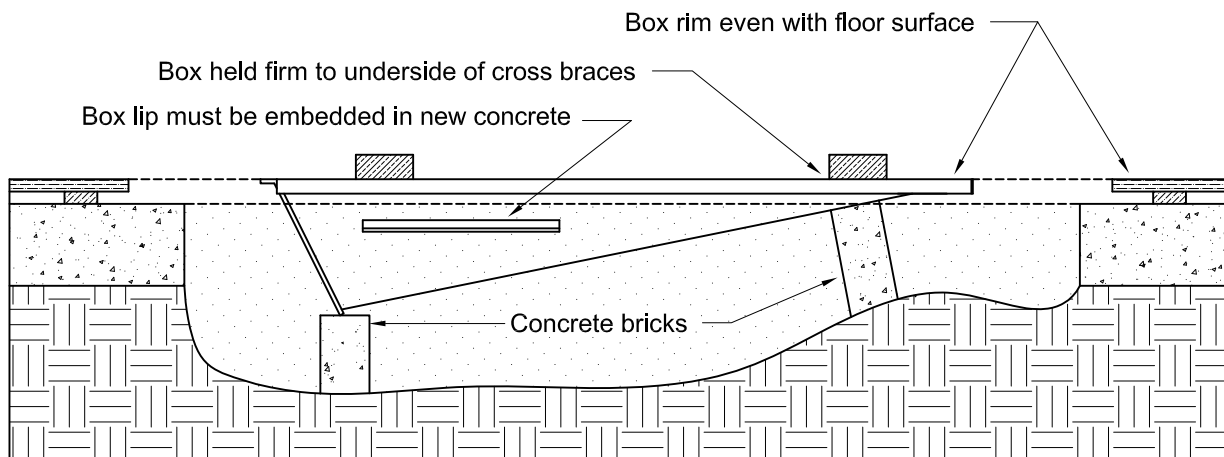
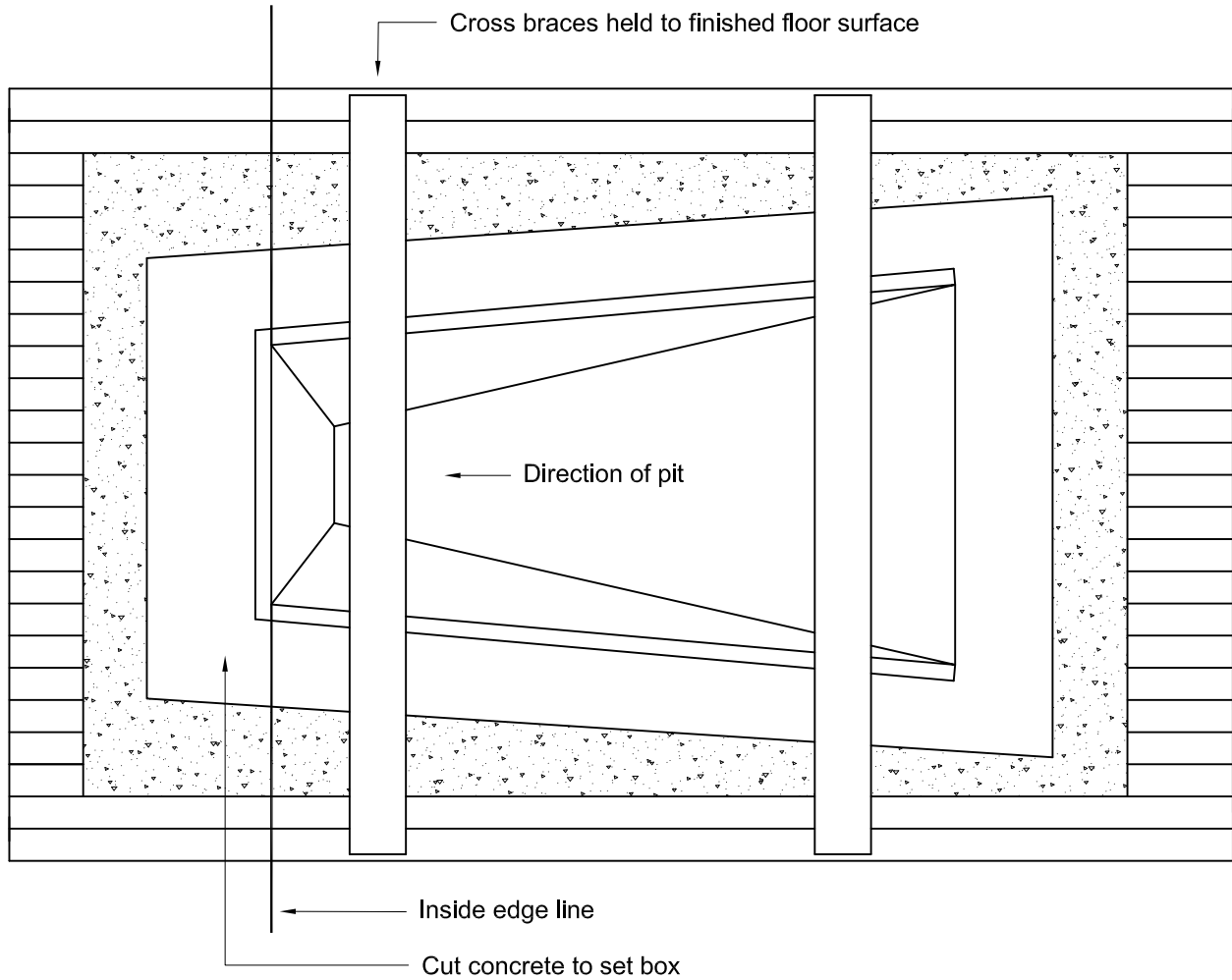
500-502-504_inst1



www.gillathletics.com
800-637-3090

500 SERIES VAULT BOXES 500, 502, & 504 INSTALLATION INSTRUCTIONS

INSTALLATION OF BOX IN GYM FLOOR



NOTICE: All installations should be conducted by experienced contractors and in accord with all applicable codes, laws and regulations. Suggested instructions herein are illustrative only and should be adapted to suit local requirements. Gill Athletics is not responsible for the manner in which these products are installed.

THIS WARNING IS GIVEN IN COMPLIANCE WITH CALIFORNIA'S PROPOSITION 65:

WARNING

This product contains chemicals known to the State of California to cause cancer, birth defects or other reproductive harm.

suggestions@gillathletics.com
Copyright ©2005 by Gill Athletics. All rights reserved.

GILL ATH
02/27/02
500-502-504_inst2