

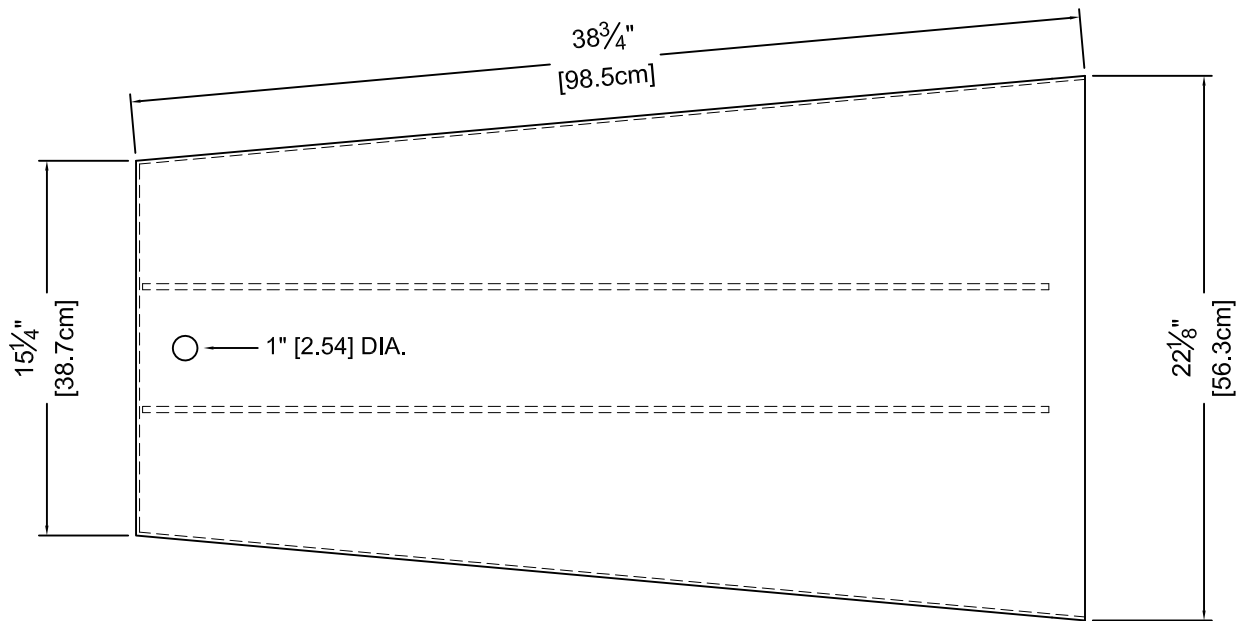


www.gillathletics.com
800-637-3090

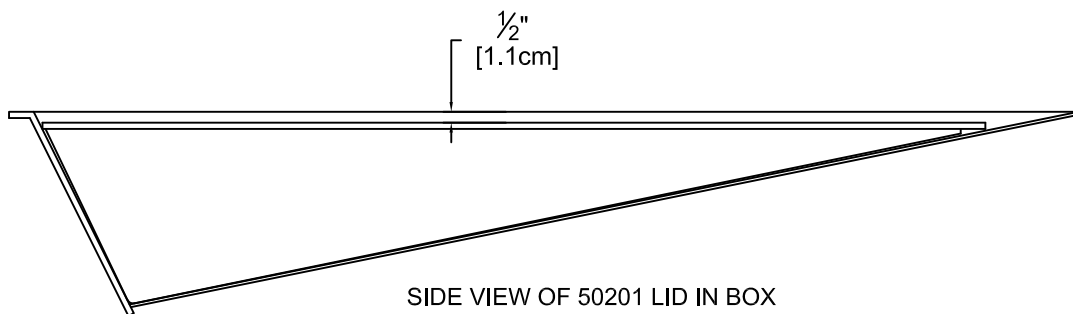
50201 - ALUMINUM VAULT BOX LID SPECIFICATIONS

The 50201 Aluminum Vault Box Lid is designed to fit the 500, 502, 504, and 505 vault boxes. These lids are manufactured from 1/4" [6.4mm] thick 6061-T6 aluminum plate. Two angled vertical supports are welded in place to stiffen and support the lid in the box. When covered with 1/2" [12mm] thick runway material, the lid fits flush with the runway surface. A flush mount version, the 50202, is also available. This lid fits flush with the top of the box without runway material. Measurements in brackets are in centimeters. These lids can be safely and effectively used with stainless steel vault boxes without causing accelerated corrosion.

Note: Track surfacing is not included.



TOP VIEW (50201)



SIDE VIEW OF 50201 LID IN BOX