



www.gillathletics.com  
800-637-3090

## 7040 - SCHOLASTIC HIGH JUMP STANDARDS ASSEMBLY INSTRUCTIONS

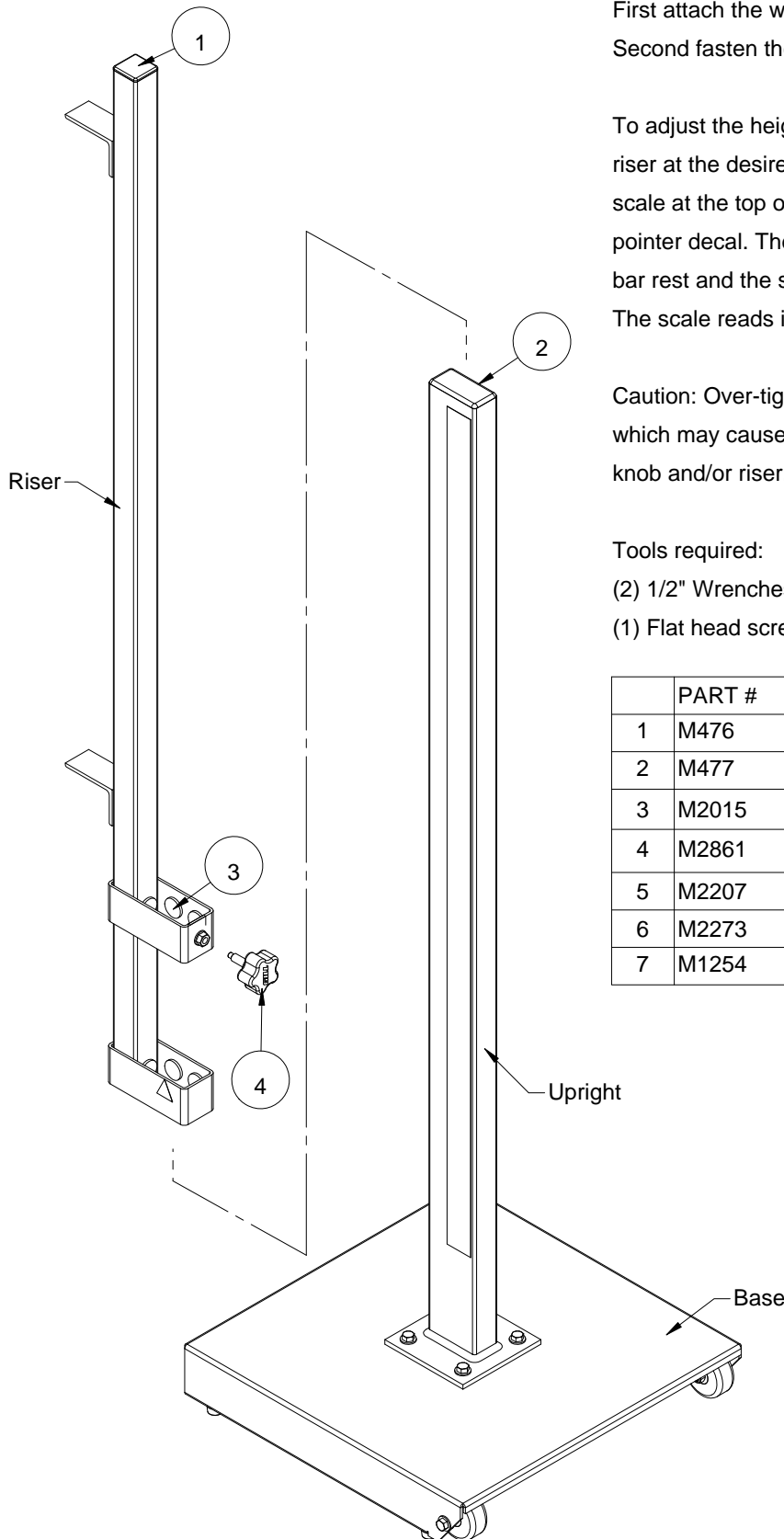
First attach the wheels and the rubber feet to the base (see page 2).  
Second fasten the upright to the base as shown below.

To adjust the height of the riser, loosen the knob (1), position the riser at the desired height, and re-tighten the knob. Read the height scale at the top of the lower riser guide as indicated by the white pointer decal. The scale on one side of the upright is for the lower bar rest and the scale on the other side is for the higher bar rest. The scale reads in both feet & inches and metric (centimeters).

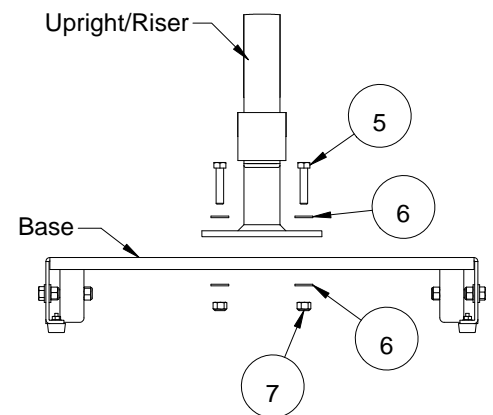
Caution: Over-tightening the knob can result in damaged threads, which may cause the knob to seize in place and may require a new knob and/or riser.

Tools required:

- (2) 1/2" Wrenches
- (1) Flat head screwdriver



	PART #	DESCRIPTION	QTY.
1	M476	1.5" Sq End Plug, Black (14-20 gage)	2
2	M477	1.5" x 3" End Plug, Black, (10-14 ga)	1
3	M2015	Felt Dot, 1" dia x 1/8" thick, adhesive backed	12
4	M2861	Knob 3/8"-16 x 1", Nylon tip, black TPE, Logo	1
5	M2207	5/16"-18 x 1.5" Hex Bolt	4
6	M2273	Washer, Flat, 5/16	12
7	M1254	5/16"-18 Nylock Hex Nut	8





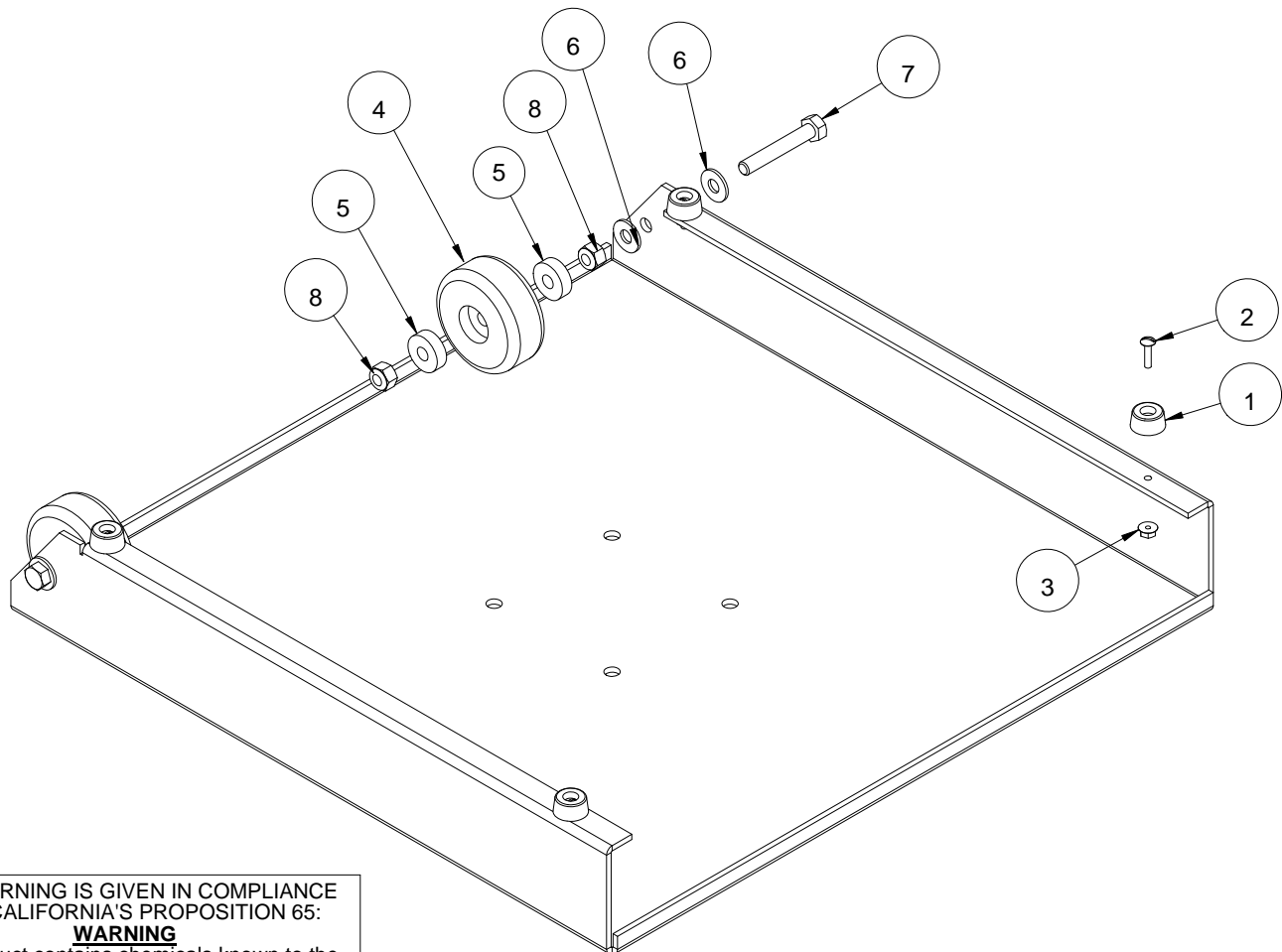
www.gillathletics.com  
800-637-3090

## 7040 - SCHOLASTIC HIGH JUMP STANDARDS ASSEMBLY INSTRUCTIONS

Part #	Description	Qty
1	M726 Black Rubber Foot	4
2	M2229 6-32 x 5/8" Screw, Slotted Truss Head	4
3	M2228 6-32 Flange Whiz-Nut	4
4	M718 61 mm skate wheel	2
5	M717B Ball Bearing	4
6	M2273 Washer, Flat, 5/16	4
7	M2834 5/16"-18 x 2" Hex Bolt Full Thread	2
8	M1254 5/16"-18 Nylock Hex Nut	4

Fasten the rubber feet (1) to the bottom of the base with a screw (2) and nut (3)

To assemble the wheels, first feed the axle bolt (7) through the washers (6) and the hole in the side of the base. Secure it in place with a nylock nut (8). This nut must be fully tightened. Slide the wheel (4) with installed bearings (5) onto the axle bolt and secure it in place with a second nylock nut. Do not over tighten the nut holding the wheel on the axle. The nut should be tightened so that the nylon insert is fully engaged, but not to the point where the nut touches the wheel. The wheel should spin freely.



THIS WARNING IS GIVEN IN COMPLIANCE  
WITH CALIFORNIA'S PROPOSITION 65:

**WARNING**

This product contains chemicals known to the  
State of California to cause cancer, birth defects  
or other reproductive harm.

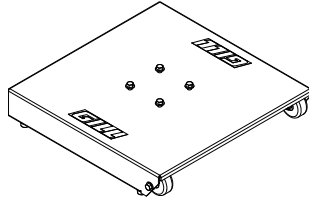


www.gillathletics.com  
800-637-3090

## 7040 - SCHOLASTIC HIGH JUMP STANDARDS REPLACEMENT PARTS

P704005

Single Base with  
wheels and hardware

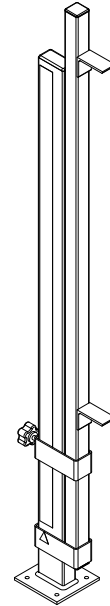


P704040L

Upright & Riser  
Left side

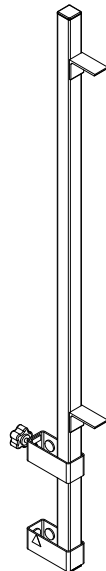
P704040R

Upright & Riser  
Right side



P704030

Single Riser with knob

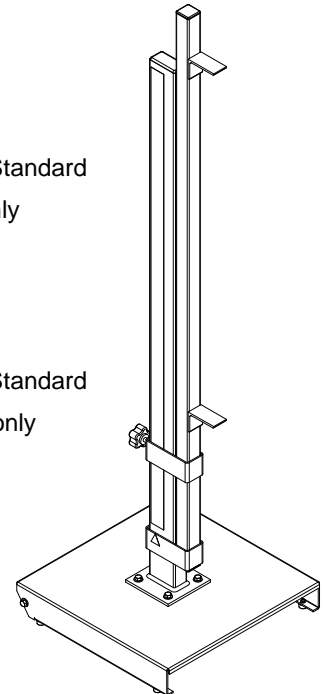


P7040L

Complete Standard  
Left side only

P7040R

Complete Standard  
Right side only



700160

Hardware for a single standard

- Minus clamping knob

M2861

Knob with nylon tip

