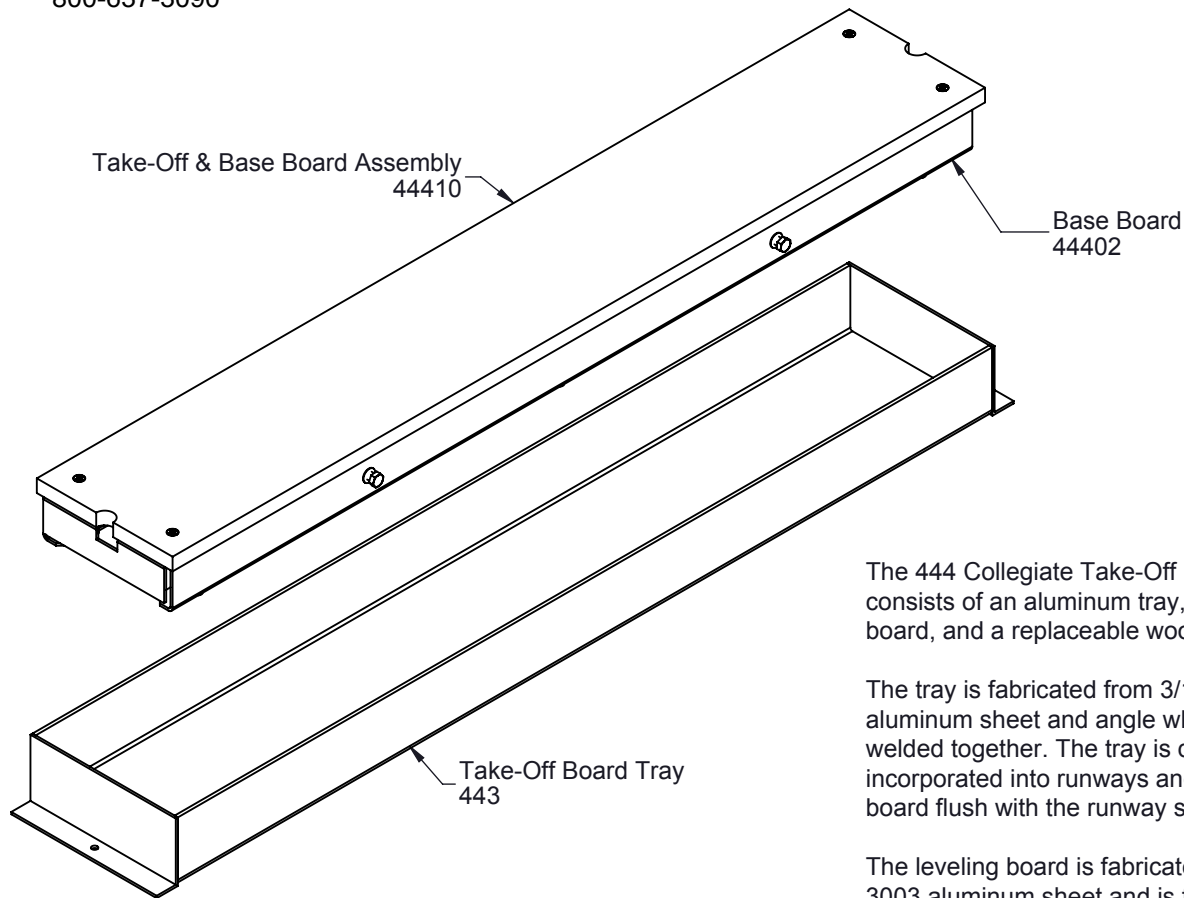




www.gillathletics.com  
800-637-3090

## 444 - COLLEGIATE TAKE-OFF BOARD SYSTEM SPECIFICATIONS



The 444 Collegiate Take-Off Board System consists of an aluminum tray, an aluminum leveling board, and a replaceable wood take-off board.

The tray is fabricated from 3/16" thick 3003 aluminum sheet and angle which is securely welded together. The tray is designed to be incorporated into runways and holds the take-off board flush with the runway surface.

The leveling board is fabricated from 1/8" thick 3003 aluminum sheet and is fitted with six adjustable feet and two lateral constraint adjustments to eliminate any motion in the tray and ensure a flush fit for the take-off board.

Take-off boards are fabricated from 3/4" marine grade plywood, sealed and painted with outdoor enamel coating.

ITEM NO.	PART #	DESCRIPTION	QTY.
1	M2530	3/8"-16 x 1.5" Stainless Steel Socket Cap Screw	6
2	M2787	3/18"-16 x 1" Hex Head Bolt; SS	2
3	M2257	1/4"-20 x 1.5" SS FH Phillips Screw	4

