

SPORTABLE SCOREBOARDS®

INSTALLATION INSTRUCTIONS FOR



MODEL 2207LED

www.sportablescoreboards.com

Table of Contents

MODEL 2207LED.....	3
4' X 2' WALL-MOUNTED SCOREBOARD	3
THE SCOREBOARD SYSTEM SHOULD INCLUDE THE FOLLOWING PARTS:.....	3
PRODUCT SPECIFICATIONS	4
Overall Dimensions:.....	4
Weight:	4
Power Requirements:	4
MOUNTING THE SCOREBOARD TO A WALL.....	4
CONNECTING THE CABLES.....	5
IMPORTANT!.....	6
Warranty Activation/Installation & Completion Sign Off Sheet	6

MODEL 2207LED

4' X 2' WALL-MOUNTED SCOREBOARD

NOTE TO INSTALLERS: PLEASE RETURN THIS MANUAL TO THE INDIVIDUAL IN CHARGE OF THE SCOREBOARD UPON COMPLETION OF INSTALLATION.

The scoreboard and all accompanying accessories have been carefully inspected and tested before leaving the factory. However, it is possible for damage to have occurred during shipping. Therefore, we ask that you inspect all shipping containers upon arrival for damage and ensure that you have all of the parts listed below. If you find that damage has occurred during shipping: **DO NOT refuse the shipment, follow the instructions for filing a freight damage claim found below, and notify the manufacturer immediately.**

THE SCOREBOARD SYSTEM SHOULD INCLUDE THE FOLLOWING PARTS:

ITEMS IN LARGE PACKAGE

- (1) 4' x 2' x 4" scoreboard

ITEMS IN ACCESSORY BAG

- (1) Handheld controller with keypad insert.
- (1) 10' Interface cable (for scoreboard to keyboard connection)
- (1) 100' male to female din ext. (for interface cable extension)
- (1) 10V AC Adapter (for scoreboard to wall connection)

Optional parts:

- Wireless Remote Control System
- Leg Assembly
- 1-YEAR Additional Warranty

NOTE: INSTALLATION HARDWARE NOT SUPPLIED. CHECK LOCAL CODE FOR REQUIREMENTS. ANCHORS, BOLTS, CHAINS, CABLES AND RELATED HARDWARE MUST MEET MINIMUM WEIGHT REQUIREMENTS.

INSTRUCTIONS FOR REPORTING SHIPPING DAMAGE

Shipping damage must be noted at the time of delivery. Consignee must note on the "Delivery Receipt" form DAMAGED. Please make notations of the type of damage to the freight and to the packaging. Ask the delivery driver to call the local terminal and report immediately. The shipper is not responsible for the shipments that are not signed for as damaged upon arrival. Please contact the manufacturer immediately to report. The shipper is responsible for filing the claim, unless shipped 3rd party.

If damage is discovered after delivery, call the delivery company to report the concealed damage and please call the manufacturer immediately to report. Concealed damage must be reported within 5 days after the delivery date. If the damages are found after this time, the manufacturer will not be responsible.

PRODUCT SPECIFICATIONS

Overall Dimensions:

4' L x 2' W x 4" D, shipped in one (1) section

Weight:

Hanging weight: 35 lbs.

Shipping weight: 40 lbs

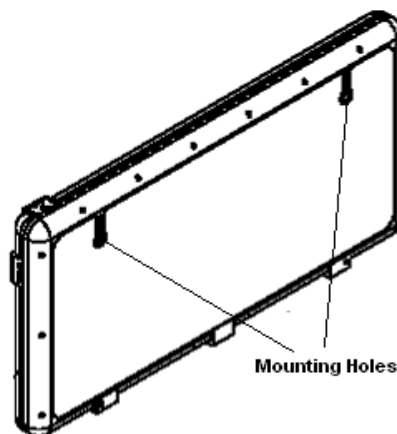
Power Requirements:

Scoreboard:

1. 1 - 120-volt, 20-amp, 60 Hz grounded AC circuit. Ideally, this will be a dedicated circuit.
2. Access must be provided to turn off the power to the scoreboard after each use. Failure to turn off the power to the scoreboard could affect the functionality of the scoreboard; such as from a power surge or lightning strike.

MOUNTING THE SCOREBOARD TO A WALL

1. Remove the scoreboard from its packaging, making sure not to pry against or cut into the scoreboard. Inspect the unit for shipping damage according to the instructions on page 3.
2. Using the holes in the back of the scoreboard, mount the scoreboard to the wall with weight appropriate anchors and screws. (See figure below)



CONNECTING THE CABLES

1. Connect the 9-pin end of the 10' interface cable to the scoreboard.
2. Connect the 100' female end to the male end of the 10' interface cable if needed.
3. Connect the 5-pin end to the controller.



4. Connect the male end of the 10V AC adapter to the scoreboard input.
5. Connect the 2-pronged end of the 10V AC adapter to a 120V wall outlet.



6. The scoreboard is now ready for use.

NOTE: Please refer to the **OPERATORS MANUAL** on the CD, or included with the system to operate the scoreboard.

IMPORTANT!
Warranty Activation/Installation & Completion Sign Off Sheet

NOTE: This sheet must be completely filled out and returned/faxed (270) 753-3773 to Scoreboard Service Company before your warranty can be activated.

Your Serial Number _____

Your Model Number _____

Date Purchased _____

Sales Agent _____

Person Authorizing Purchase (title) _____

Date Installation Completed _____

Company or Person Responsible
For Installation (address/phone number) _____

This document confirms that the installation for the 4' x 2' Multisport Wall-Mount Scoreboard has been completed. All structural, wiring, and power requirements have been met. This unit has been tested in scoring and diagnostic modes, ensuring the functionality of the unit.

Scoring/timing equipment responsible party

Installer

So that we may better serve you, please have this information available in the event you need to call technical support. Customer Service: 1-800-411-3136