



Most Kwik Goal products carry a **Lifetime Guarantee**. For details or claims, visit [kwikgoal.com](http://kwikgoal.com) or contact customer service at 1-800-531-4252.

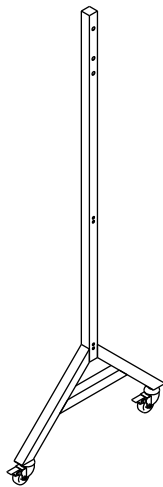
### ASSEMBLY INSTRUCTIONS FOR 18B1101 LARGE DRY ERASE BOARD

1. Unpack all parts and check for damage that may have occurred during shipping. If damage has occurred, notify trucking company immediately. Lay out all parts. Remove all cardboard and packaging immediately. Wet or damp packaging may damage contents.
2. Read through entire instruction before beginning assembly and installation.

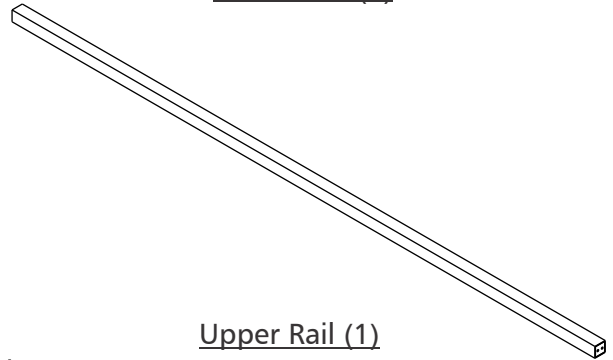
**NOTE: Components may be packaged in one or more additional boxes.**

#### Parts

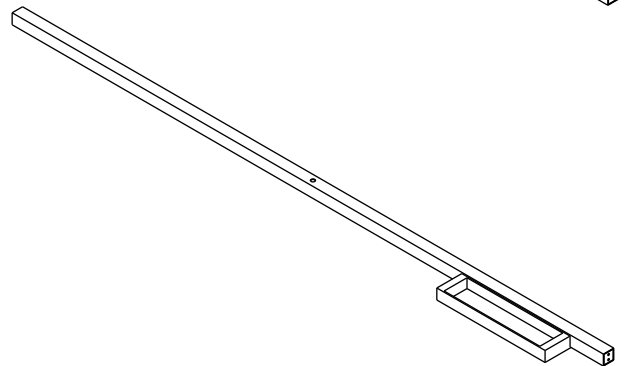
Leg (2)



Lower Rail (1)



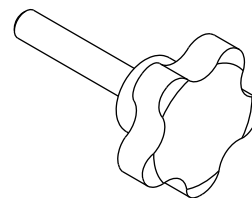
Upper Rail (1)



Board (1)



Knob w/ Threaded Stud (3)



Hardware

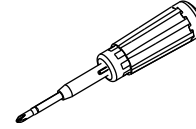
M6 x 38mm Screw 8

Included

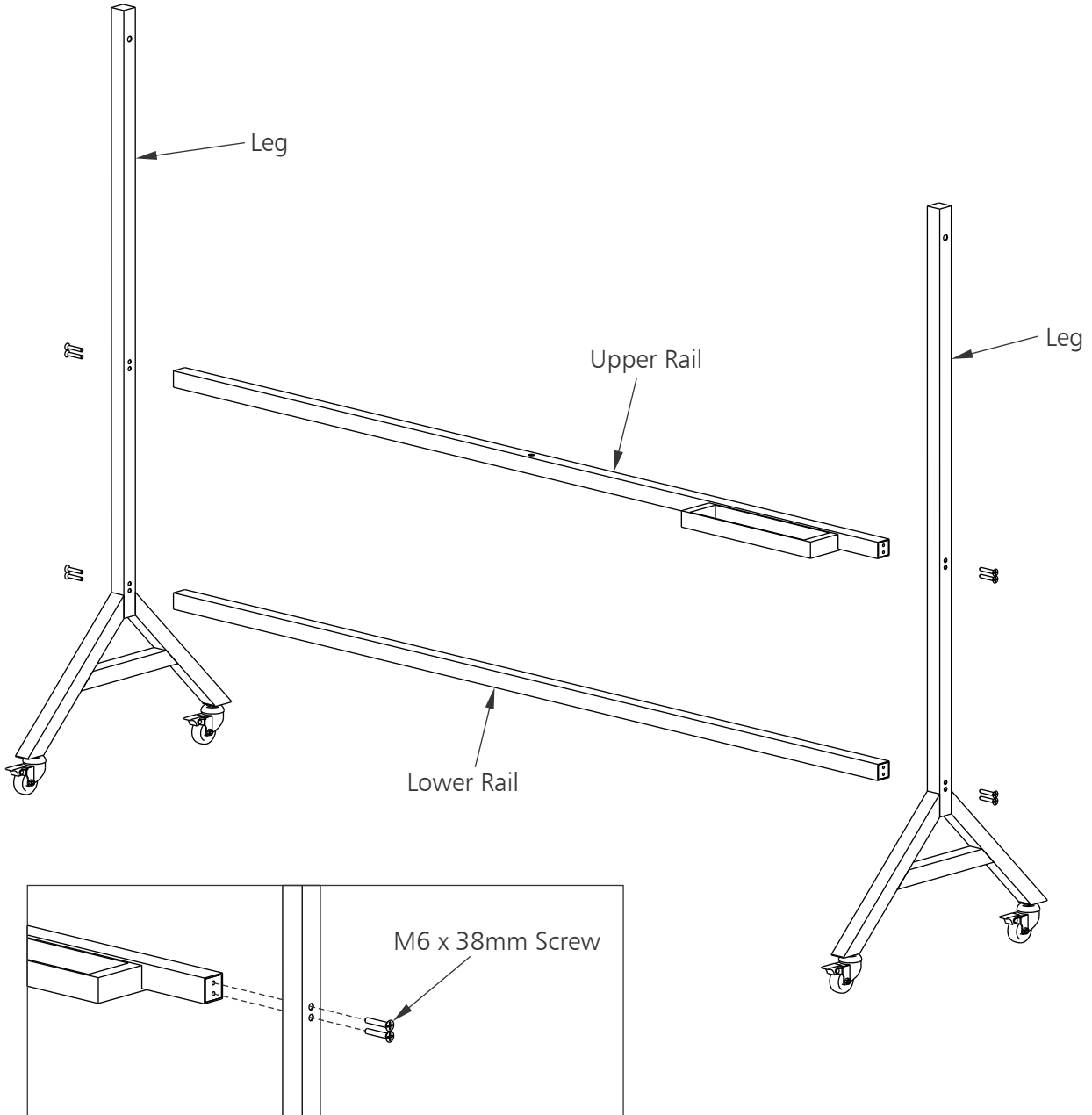
Dry Erase pen (Part# KZ230) 1  
Dry Eraser (Part# VZ616) 1  
Red & Black Magnets (24 each) 48  
(Part# 18B1301 RED MAGNETS PK OF 12)  
(Part# 18B1306 BLACK MAGNETS PK OF 12)

Assembly Tools

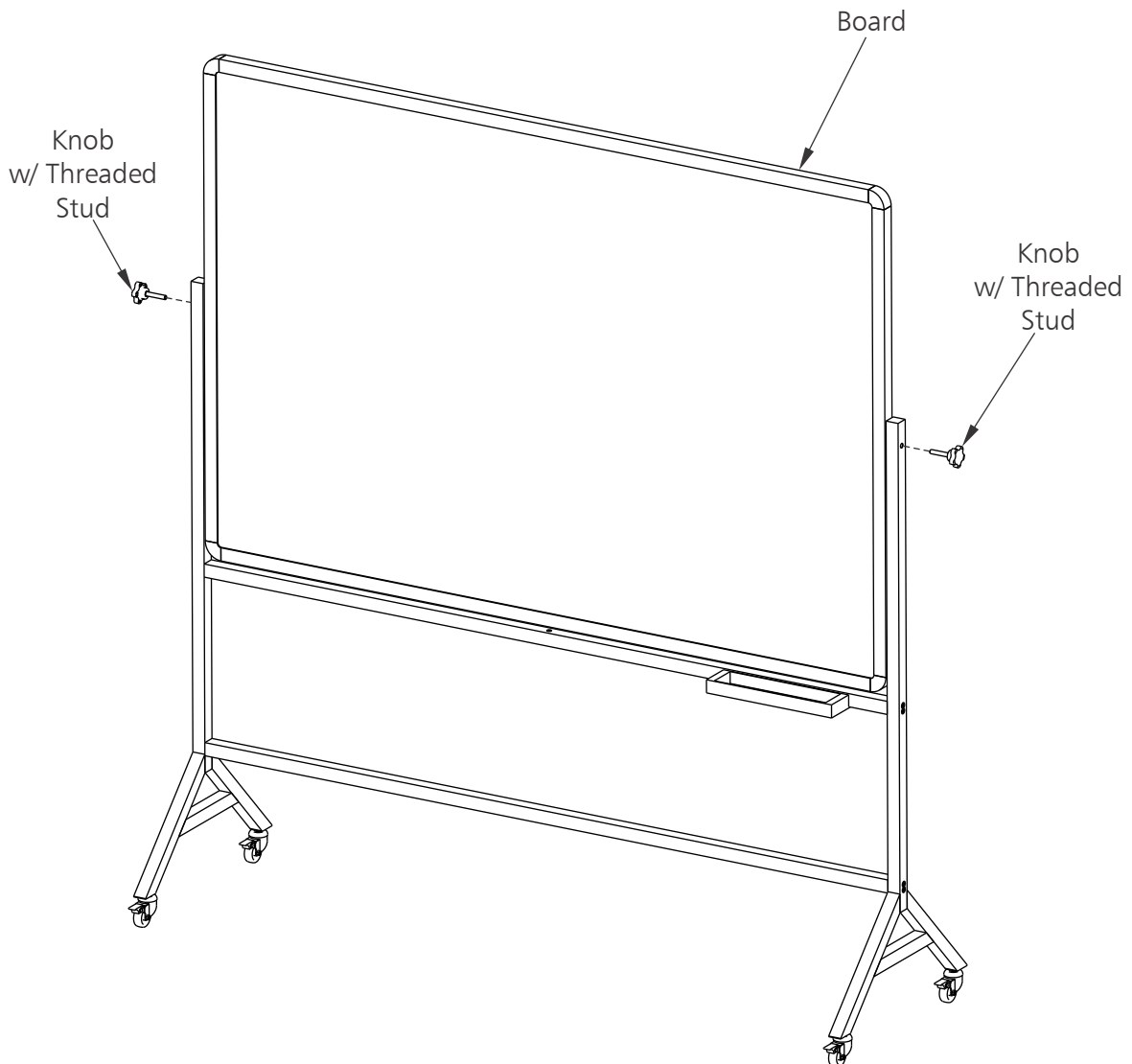
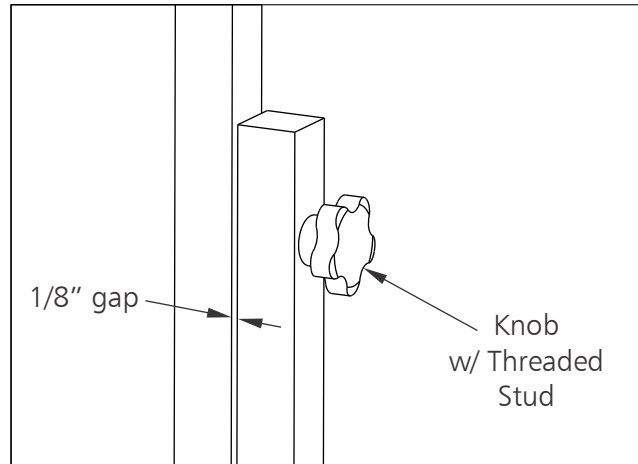
Screwdriver



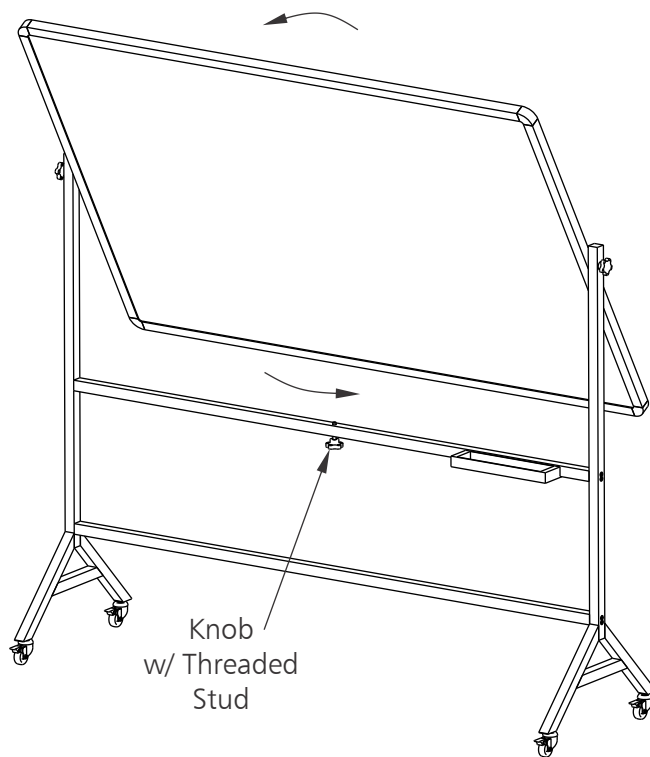
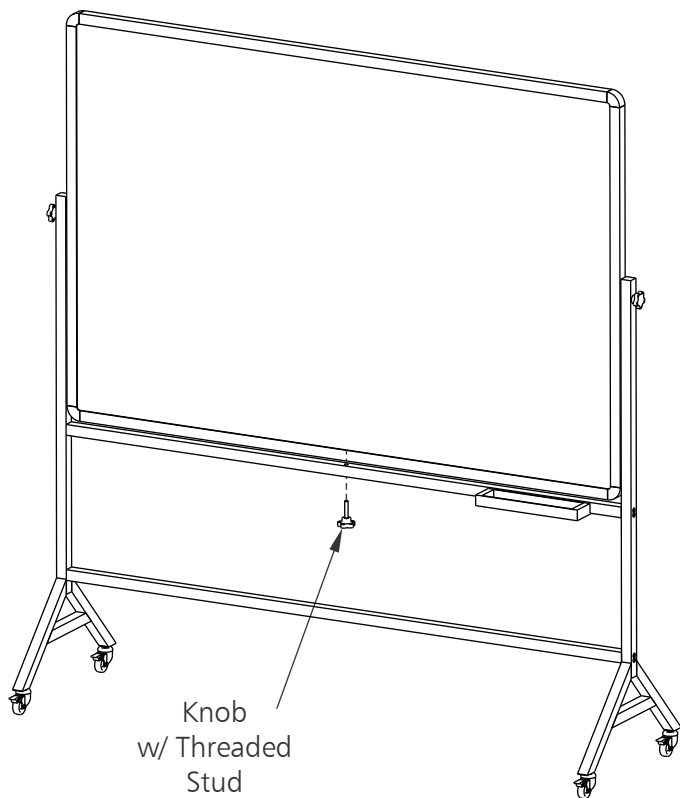
3. Assemble frame by attaching upper and lower rails to legs using M6 x 38mm screws.  
Make sure upper rail has threaded side facing down.



4. Attach board to frame using knob w/ threaded stud. Leaving 1/8" gap between board and frame. Do Not over tighten, over tightening may cause damage.



5. Insert knob w/ threaded stud into upper rail. Tighten knob w/ threaded stud to stop board from rotating or loosen knob w/ threaded stud to rotate board.



To view videos on Kwik Goal product instructions, drills and demos please visit [kwikgoal.com/videos](http://kwikgoal.com/videos).