

CHAIN LINK BACKSTOP

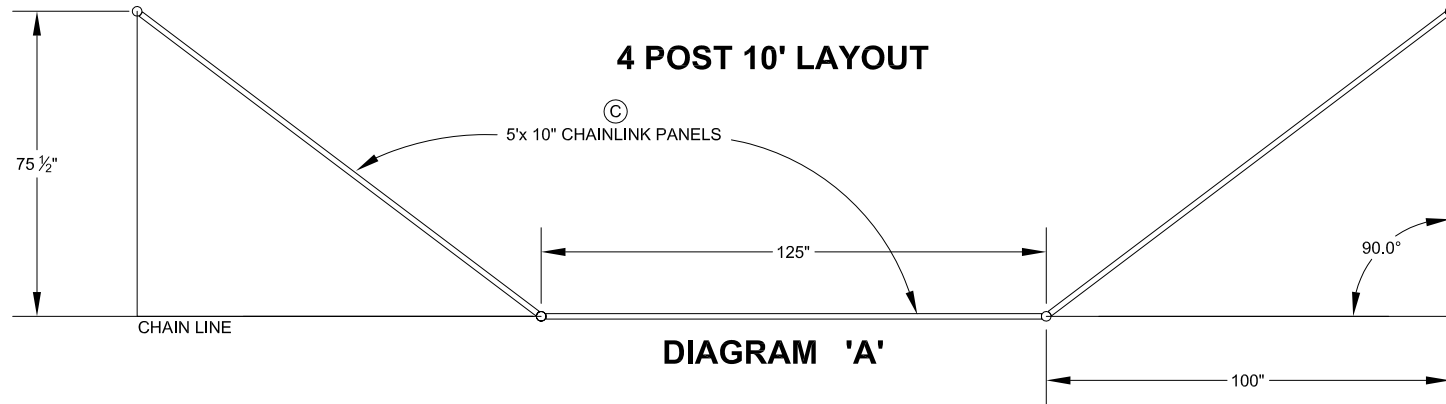
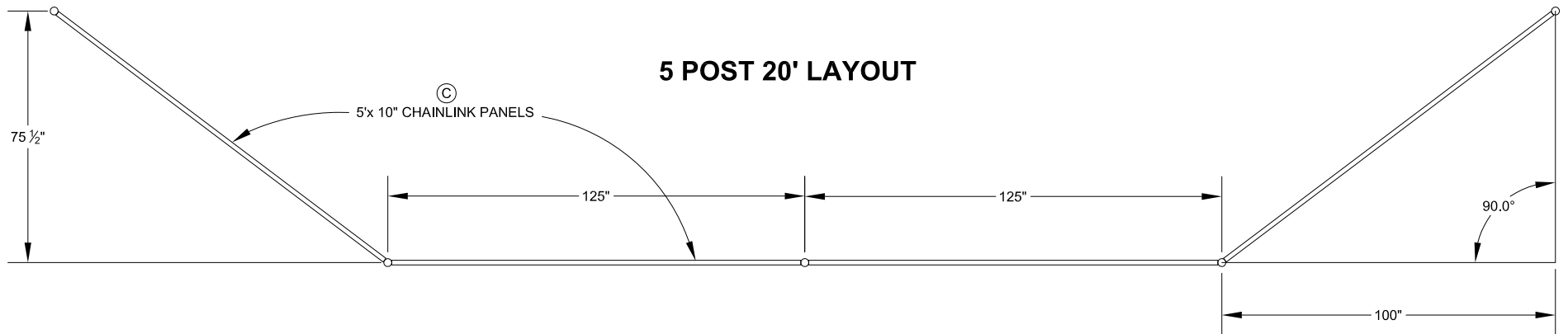
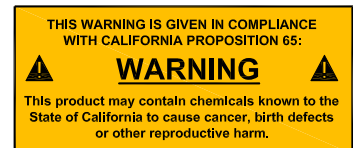
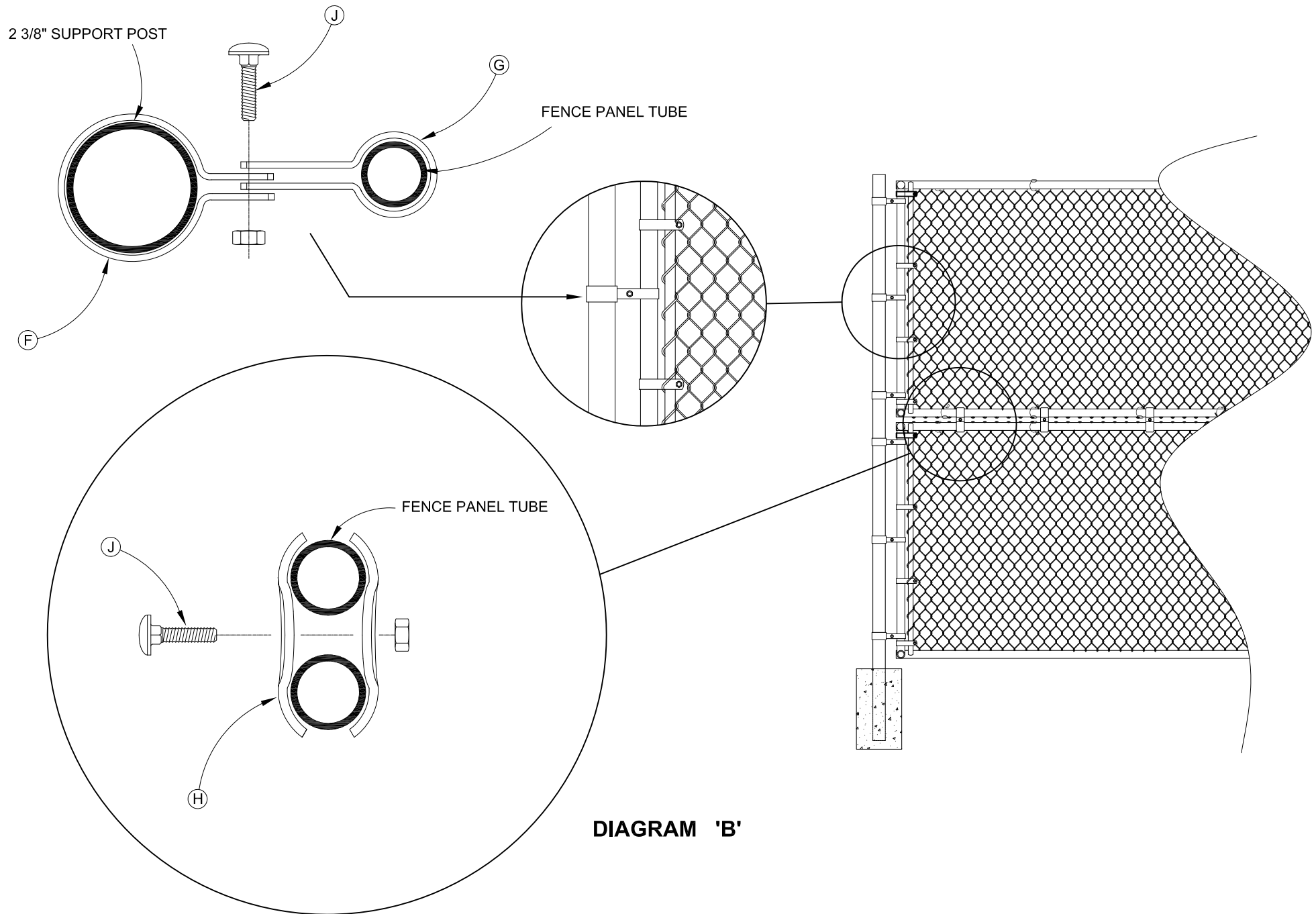


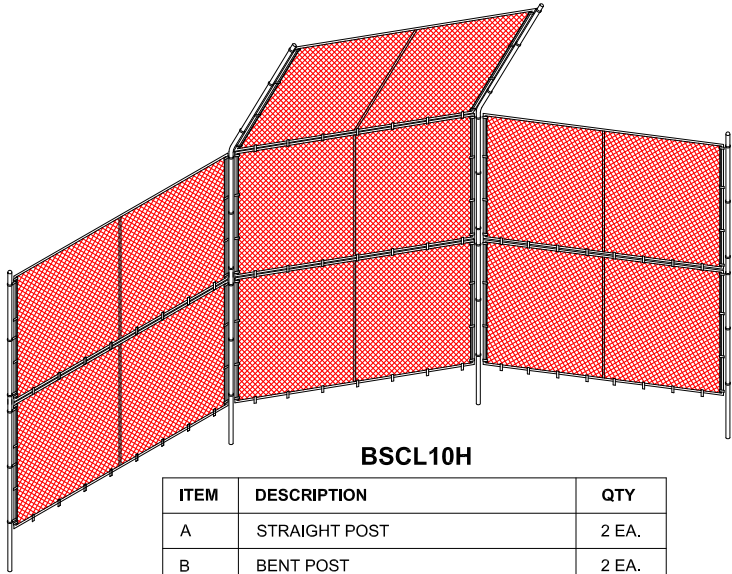
DIAGRAM 'A'

- STEP 1)** Find position on field where Backstop is to be placed.
- STEP 2)** Layout a Chalk Line to locate your main support posts as shown in **diagram A**.
- STEP 3)** Now dig post holes approximately 10" diameter and 24" deep.
- STEP 4)** Slide the 2-3/8" Brace Bands (**item F**) on support posts (3 ea. per fence panel) and place posts in holes.
- STEP 5)** Place the 1-3/8" Brace Bands (**item G**) on the fence panel tube (3 ea. per fence panel) as shown in **diagram B**.
- STEP 6)** Bolt bottom fence panels (**item C**) to support posts (**DO NOT TIGHTEN ANYTHING AT THIS TIME**). Be sure fence material is to the inside and bolts are facing away from the playing field.
- STEP 7)** Bolt Kennel Clamps (**item H**) to fence panels as shown in **diagram B**.
- STEP 8)** Continue installing all the 5' x 10' fence panels followed by the hood panels (**item D & E**) provided on select models only.
- STEP 9)** When Backstop is fully assembled and aligned properly you may begin tightening all bolts.
- STEP 10)** Now fill holes with concrete around posts.



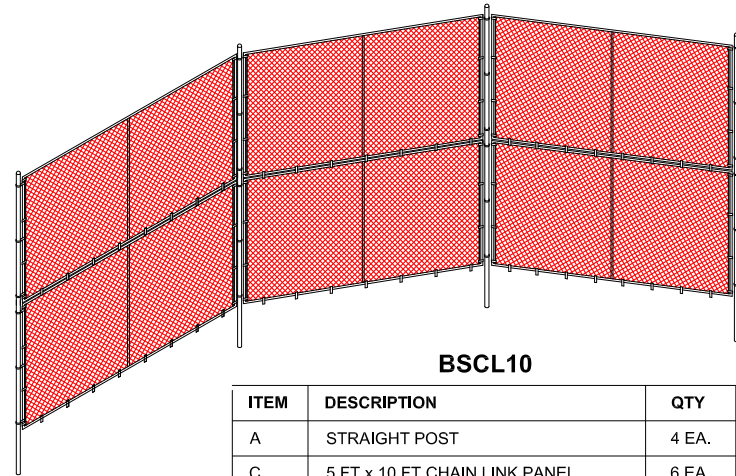


CHAIN LINK BACKSTOP - 10 FT MODELS



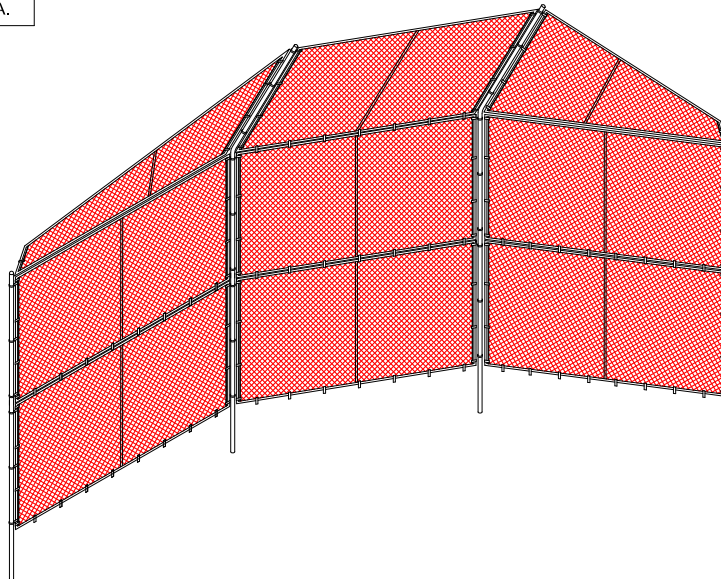
BSCL10H

ITEM	DESCRIPTION	QTY
A	STRAIGHT POST	2 EA.
B	BENT POST	2 EA.
C	5 FT x 10 FT CHAIN LINK PANEL	7 EA.
F	2 3/8" BRACE BANDS	42 EA.
G	1 3/8" BRACE BANDS	42 EA.
H	KENNEL CLAMPS	16 EA.
I	POST CAPS	4 EA.
J	5/16" x 1 1/4" CARRIAGE BOLT W/ NUT	58 EA.



BSCL10

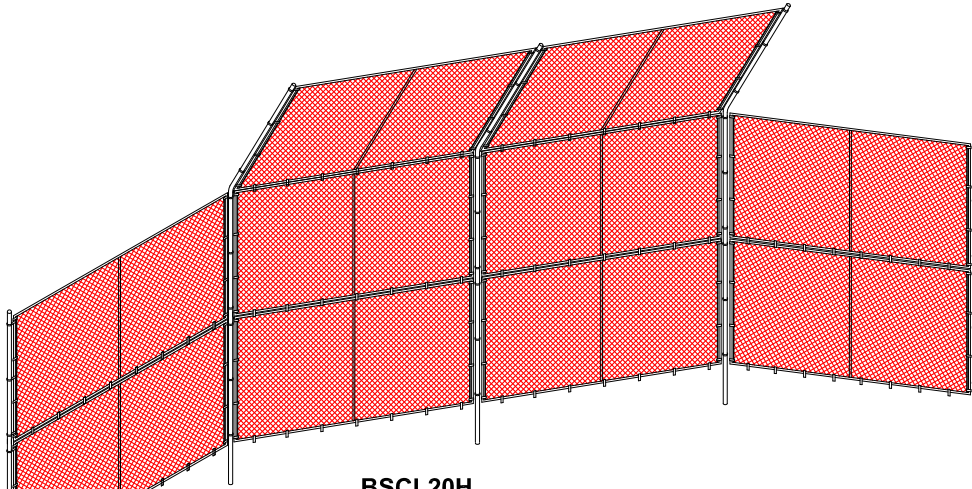
ITEM	DESCRIPTION	QTY
A	STRAIGHT POST	4 EA.
C	5 FT x 10 FT CHAIN LINK PANEL	6 EA.
F	2 3/8" BRACE BANDS	36 EA.
G	1 3/8" BRACE BANDS	36 EA.
H	KENNEL CLAMPS	12 EA.
I	POST CAPS	4 EA.
J	5/16" x 1 1/4" CARRIAGE BOLT W/ NUT	48 EA.



BSCL10HW

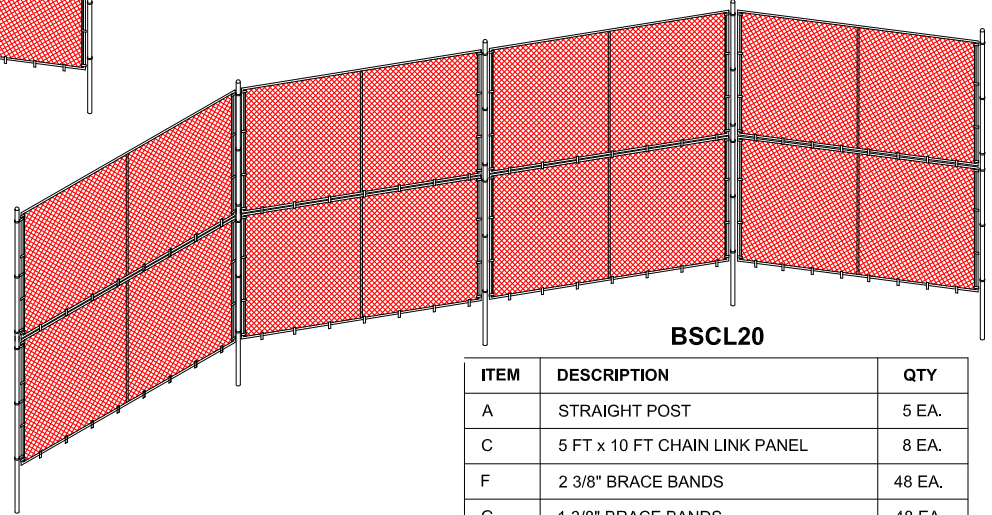
ITEM	DESCRIPTION	QTY
A	STRAIGHT POST	2 EA.
B	BENT POST	2 EA.
C	5 FT x 10 FT CHAIN LINK PANEL	7 EA.
D	ANGLE PANEL, LEFT	1 EA.
E	ANGLE PANEL, RIGHT	1 EA.
F	2 3/8" BRACE BANDS	48 EA.
G	1 3/8" BRACE BANDS	48 EA.
H	KENNEL CLAMPS	24 EA.
I	POST CAPS	4 EA.
J	5/16" x 1 1/4" CARRIAGE BOLT W/ NUT	72 EA.

CHAIN LINK BACKSTOP - 20 FT MODELS



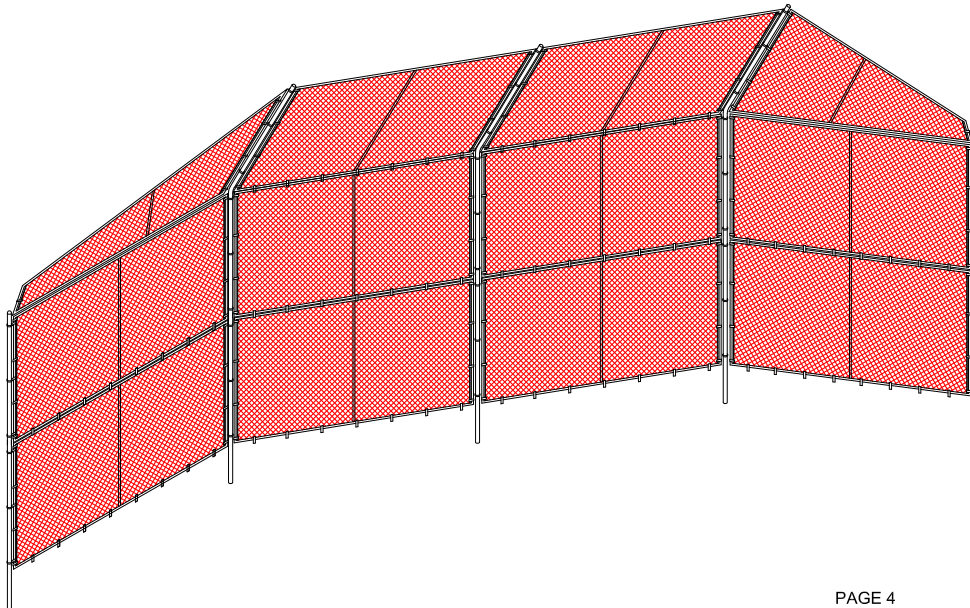
BSCL20H

ITEM	DESCRIPTION	QTY
A	STRAIGHT POST	2 EA.
B	BENT POST	3 EA.
C	5 FT x 10 FT CHAIN LINK PANEL	10 EA.
F	2 3/8" BRACE BANDS	60 EA.
G	1 3/8" BRACE BANDS	60 EA.
H	KENNEL CLAMPS	24 EA.
I	POST CAPS	5 EA.
J	5/16" x 1 1/4" CARRIAGE BOLT W/ NUT	84 EA.



BSCL20

ITEM	DESCRIPTION	QTY
A	STRAIGHT POST	5 EA.
C	5 FT x 10 FT CHAIN LINK PANEL	8 EA.
F	2 3/8" BRACE BANDS	48 EA.
G	1 3/8" BRACE BANDS	48 EA.
H	KENNEL CLAMPS	16 EA.
I	POST CAPS	5 EA.
J	5/16" x 1 1/4" CARRIAGE BOLT W/ NUT	64 EA.



BSCL20HW

ITEM	DESCRIPTION	QTY
A	STRAIGHT POST	2 EA.
B	BENT POST	3 EA.
C	5 FT x 10 FT CHAIN LINK PANEL	10 EA.
D	ANGLE PANEL, LEFT	1 EA.
E	ANGLE PANEL, RIGHT	1 EA.
F	2 3/8" BRACE BANDS	66 EA.
G	1 3/8" BRACE BANDS	66 EA.
H	KENNEL CLAMPS	32 EA.
I	POST CAPS	5 EA.
J	5/16" x 1 1/4" CARRIAGE BOLT W/ NUT	98 EA.