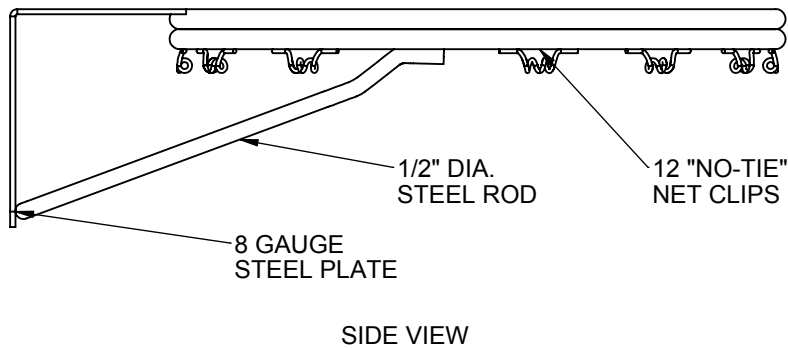
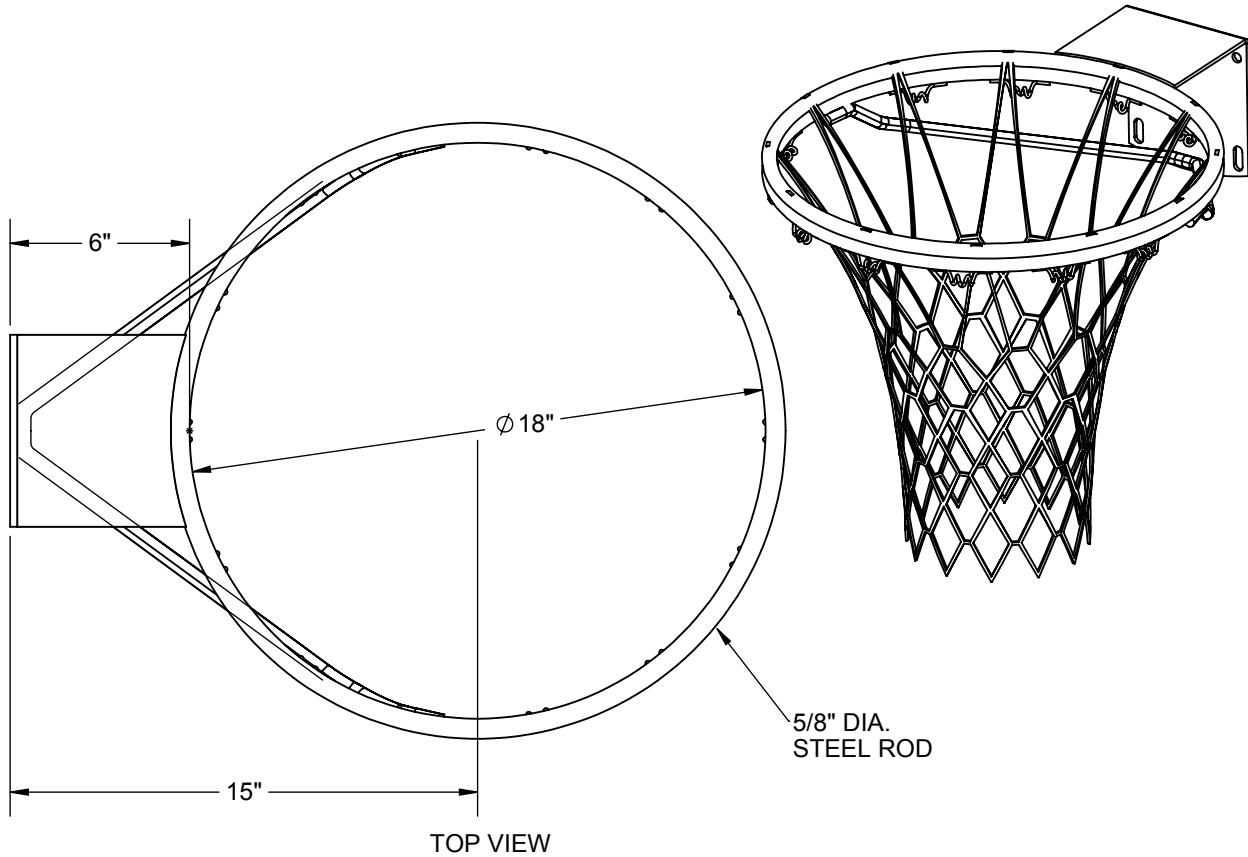
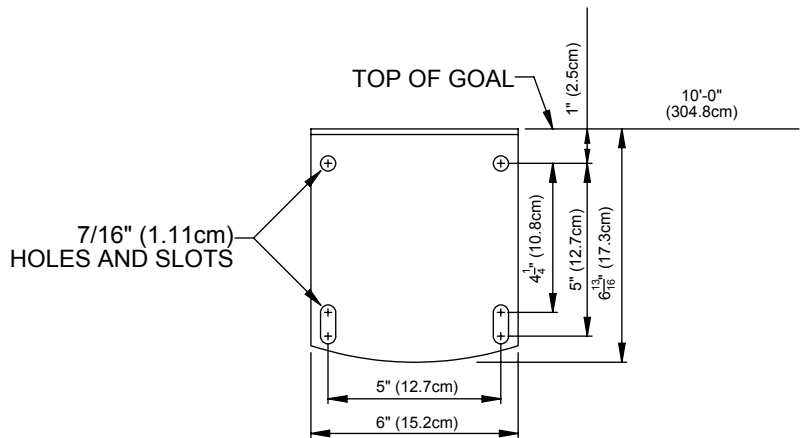


00202H00 - DOUBLE RIM FRONT MOUNT GOAL

WITH MOUNTING HARDWARE AND NET



PARTS LIST		
NO.	QTY.	DESCRIPTION
1	1	GOAL00005007 GOAL - ORANGE
2	1	NETS00001000 WHITE NYLON NET
3	4	HDWE012170E0 3/8"x 3 1/2" LG. HEX HEAD TAP BOLT (GRADE 5)
4	4	HDWE050040E0 3/8" FLATWASHER
5	4	HDWE040020E0 LACKWASHER
6	4	HDWE030020E0 3/8" HEX NUT
7	4	PCAP00040002 3/8" THREAD PROTECTOR



GOAL MOUNTING PLATE DETAIL

- 00202H00 WITH MOUNTING HARDWARE AND NET
SEE B-200 FOR COMPATIBLE BACKBOARDS

00202H00 - DOUBLE RIM FRONT MOUNT GOAL

WITH MOUNTING HARDWARE AND NET

SPECIFICATIONS

Rim shall be fabricated from 5/8" diameter cold drawn alloy steel round formed to an 18" inside diameter ring. A second ring shall be welded on top of first ring. Inside of rings shall be positioned 6" from face of backboard by heavy, L-shaped, formed steel mounting plate with 5" x 5" mounting hole centers for front mounting on standard glass, wood and fiberglass type backboards. (Goal compatible with all Center-Strut[®] direct-mount type support frames).

Rim shall be rigidly braced by means of a 1/2" diameter cold drawn alloy steel round formed and welded in position for maximum support. Rim shall be provided with twelve "no-tie" net attachment clips for net attachment.

Goal shall be finished in a durable, official orange powder-coat finish.

Goal shall be furnished complete with a high quality white nylon net and plated mounting hardware. Mounting bolts shall be SAE Grade 5.

For details on compatible backboards see B-200.

WARRANTY

- 202 goals furnished with a 1-year limited warranty.

OPTIONAL ITEMS (SEE SPECIFICATION SHEETS FOR DETAIL)

- No. 01218000 Tamper-Proof Goal Hardware (B-1218)
- No. 01216000 Removable Goal Adapter Kit (B-1216)