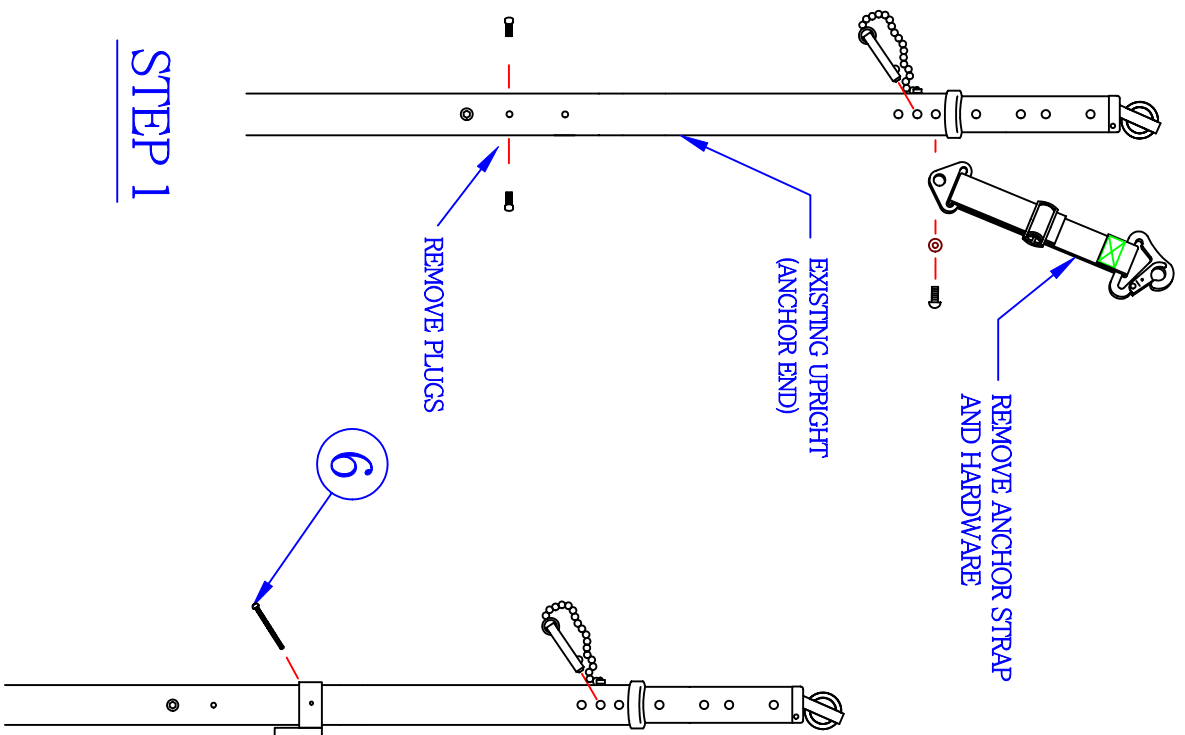
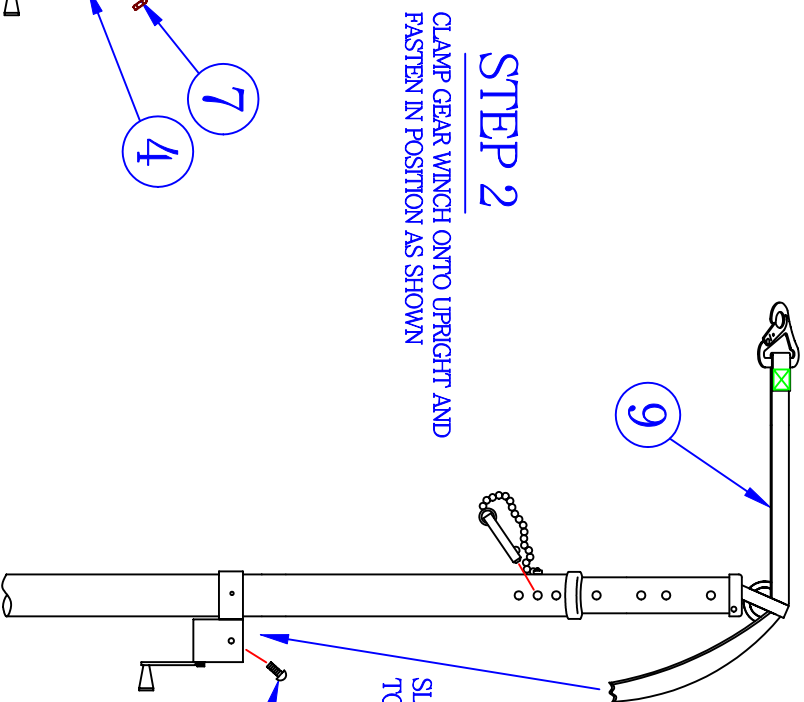


ILLUSTRATION # 2: 3 STEPS TO CONVERT EXISTING ANCHOR END UPRIGHT TO WINCH END

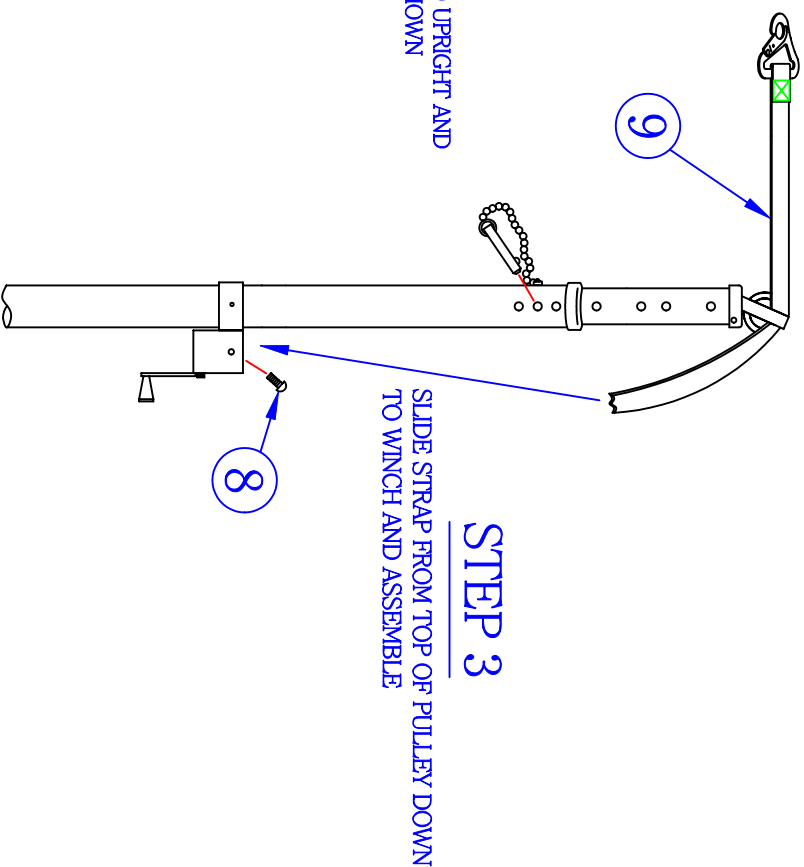


STEP 1



STEP 2

CLAMP GEAR WINCH ONTO UPRIGHT AND FASTEN IN POSITION AS SHOWN



STEP 3

SLIDE STRAP FROM TOP OF PULLEY DOWN TO WINCH AND ASSEMBLE

JAYPRO SPORTS

976 HARTFORD TURNPIKE

WATERFORD, CT 06385 USA

(800)243-0533

(800)988-3363 FAX

WWW.JAYPRO.COM

MODEL NO.:
PVB-500C

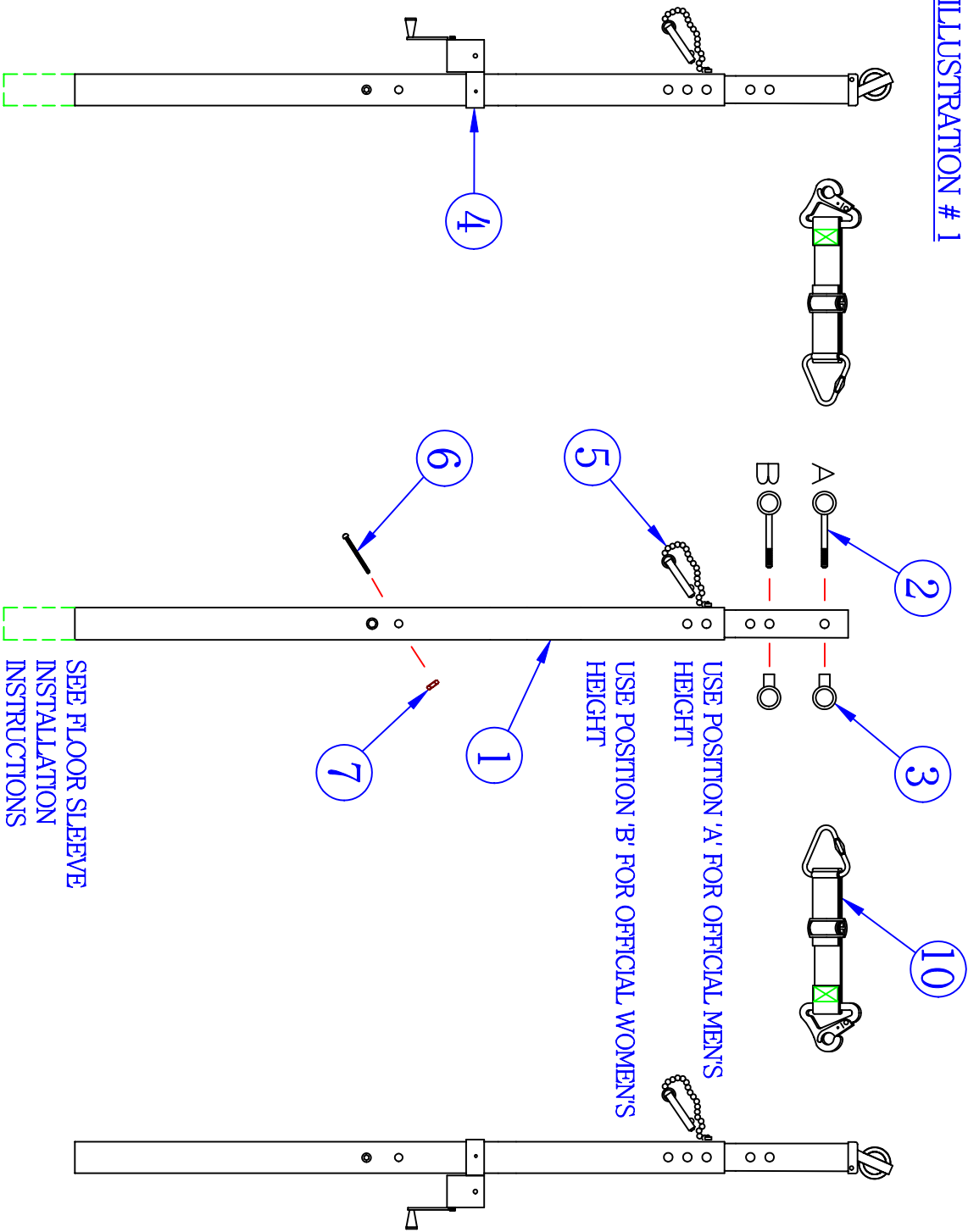
PRODUCT NAME:

GEAR WINCH ASSEMBLY

DRAWN BY: JAC

EFFECTIVE DATE:
5-16-03

ILLUSTRATION # 1



PLEASE NOTE:

- 1) FOR SAFE OPERATION AND CONTINUED HIGH PERFORMANCE FROM THIS EQUIPMENT, INSPECTION AND MAINTENANCE MUST BE PERFORMED BEFORE EACH USE
- 2) USE OF THIS EQUIPMENT OTHER THAN INTENDED, MAY BE HAZARDOUS.
- 3) ALTERATION OR MODIFICATION OF EQUIPMENT MAY BE HAZARDOUS. FOR REPAIR OR REPLACEMENT, PLEASE CALL YOUR DEALER

IMPORTANT:
THE SIDE BY SIDE SYSTEMS MUST BE TENSIONED SIMULTANEOUSLY TO PREVENT OVER TENSIONING THE END STANDARDS

JAYPRO SPORTS

976 HARTFORD TURNPIKE
WATERFORD, CT 06385 USA

(800)243-0533

(800)988-3363 FAX

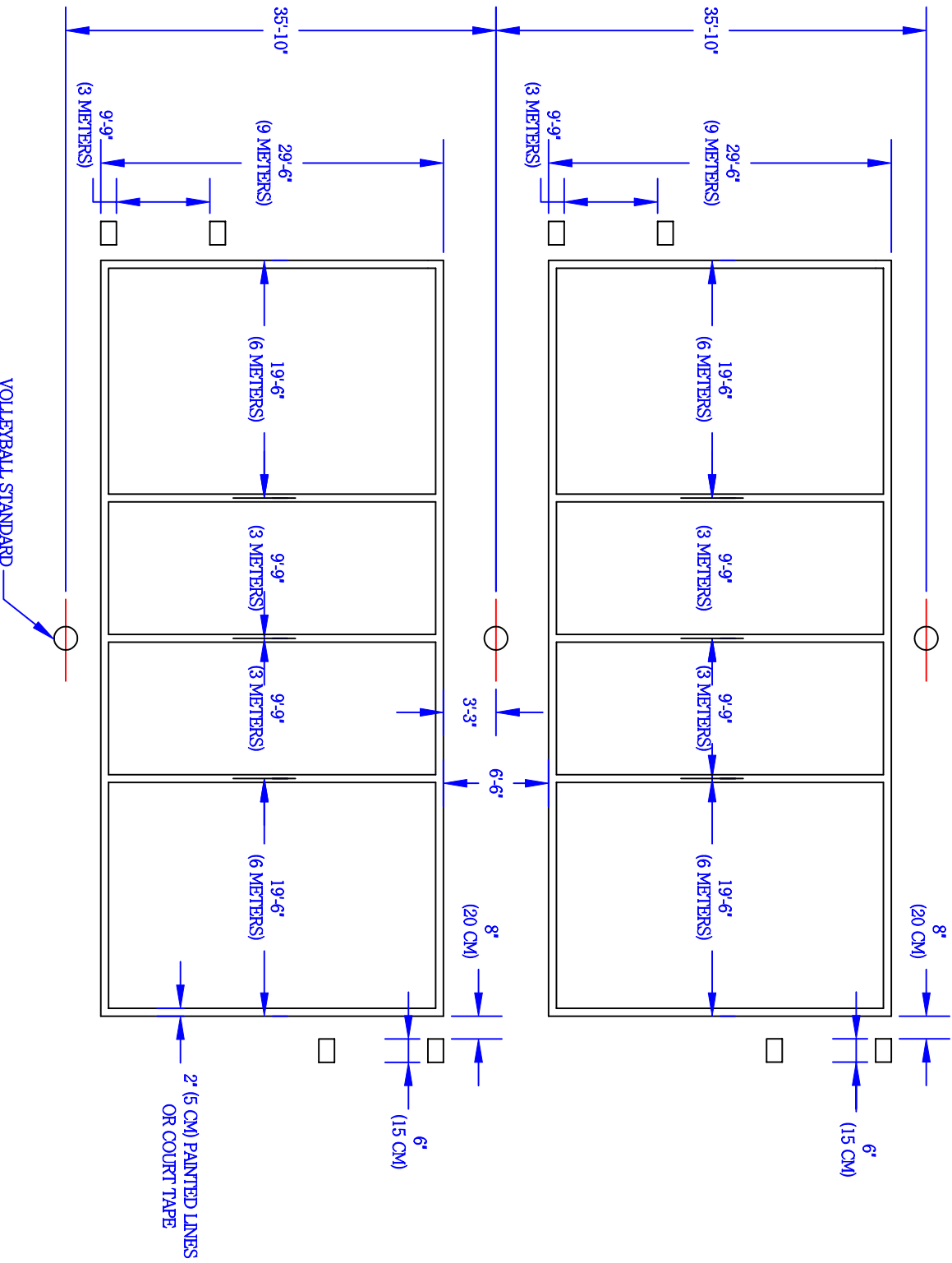
WWW.JAYPRO.COM

MODEL NO.:
PVB-500C

PRODUCT NAME:
CENTER STANDARD

DRAWN BY: JAC

EFFECTIVE DATE:
5-16-03



COURT DIMENSIONS SHOWN COMPLY WITH SPECIFICATIONS FOR:

- USVBA
- FIVB.
- N.CAA

COURT SIZE SPECIFICATIONS FOR THE N.F.S.H.S.A ARE 30'W x 60'L.
 CENTER LINE TO BE 4' WIDE.
 SPIKE LINE TO BE 10' FROM CENTER LINE.
 SERVING AREA TO BE 10' LONG.

IMPORTANT

JAYPRO SPORTS

976 HARTFORD TURNPIKE
 WATERFORD, CT 06385 USA

(800)243-0533
 (800)988-3363 FAX
 WWW.JAYPRO.COM

MODEL NO.:
PVB-600C

PRODUCT NAME:
POWER VOLLEYBALL DOUBLE COURT LAYOUT

DRAWN BY: JAC
EFFECTIVE DATE: 5-12-03

JAYPRO SPORTS

PROFESSIONAL VOLLEYBALL SYSTEM CENTER STANDARD, PVB-500C

LIST OF MATERIALS

<u>PIECE NO.</u>	<u>PART NO.</u>	<u>DESCRIPTION</u>	<u>QUANTITY</u>
1	PVB700C1	Center Standard Upright	1
2	HB5028	3/8"-16 x 3" Eye Bolt	2
3	HN2949	3/8"-16 Eye Nut	2
4	VBWINCH	Gear Winch Assembly	1
5	PVB512	Pin Chain Assembly	1
6	HS4111	5/16"-18 x 4 1/4" Round Head Screw	1
7	HN261	5/16" Lock Nut	1
8	HS5091	Set Screw 5/16"-18 x 1/2"	1
9	PVB603	Leader Strap Assembly	1
10	PVB600C2	Captive Strap Assembly	2
11	PVB512	Locking Pin Assembly	1

SAFE USE AND HANDLING

- 1) Also use protective padding around the standards when using this volleyball system.
- 2) Before every use, check all fasteners, clips and straps to look for worn or damaged parts.
- 3) These uprights are very heavy and we recommend that they be moved only with two qualified adults.
- 4) It is not necessary to apply excessive top cable tension to achieve the correct net height and playability. Much of the net tension is as a result of the velcro bottom straps.

ASSEMBLY INSTRUCTIONS

- 1) Unpack unit and check to see that unit is undamaged and complete as shown on the customer Drawing. Read all assembly instructions and caution labels carefully.
- 2) Unit is designed to fit a 3 1/2" diameter and 10" deep of various other manufacture's. Refer to the Double Court Layout Illustration for location of Ground Sleeves.
- 3) Uprights are heavy and it is imperative to have two persons lift and place into Ground Sleeve. Final configuration will have Gear Winch Assembly (4) and Leader Strap Assembly (9) on each outside standard. Orient Pulley Caps to point away from playing area. Refer to Illustration #1.
- 4) Gear Winch Assembly (4) supplied with your PVB-500C must be assembled to your existing anchor upright of your PVB-500 Professional Volleyball System. Refer to Illustration #2 for assembly details.
(Step 1)*Clamp Gear Winch Assembly over existing Anchor Upright and assemble using 3/8"-16 X 4 1/4" Rnd Hd Screw (6) and 5/16" Locknut (7).
(Step 2) Attach Leader Strap Assembly (9) to Gear Winch Assembly using Set Screw 5/16"-18 x 1/2" (8) and through pulley assembly.
- 5) Assemble Captive Strap Assembly (10) with 3/8"-16 x 3" Eye Bolts (2) and 3/8"-16 Eye Nuts (3) to Center Standard Upright (1). Refer to Illustration #1. Use position 'A' for official men's height and position 'B' for official women's height.

*** Remove short anchor strap from anchor upright or just pull strap through Pulley Assembly and allow to hang in place for later use.**