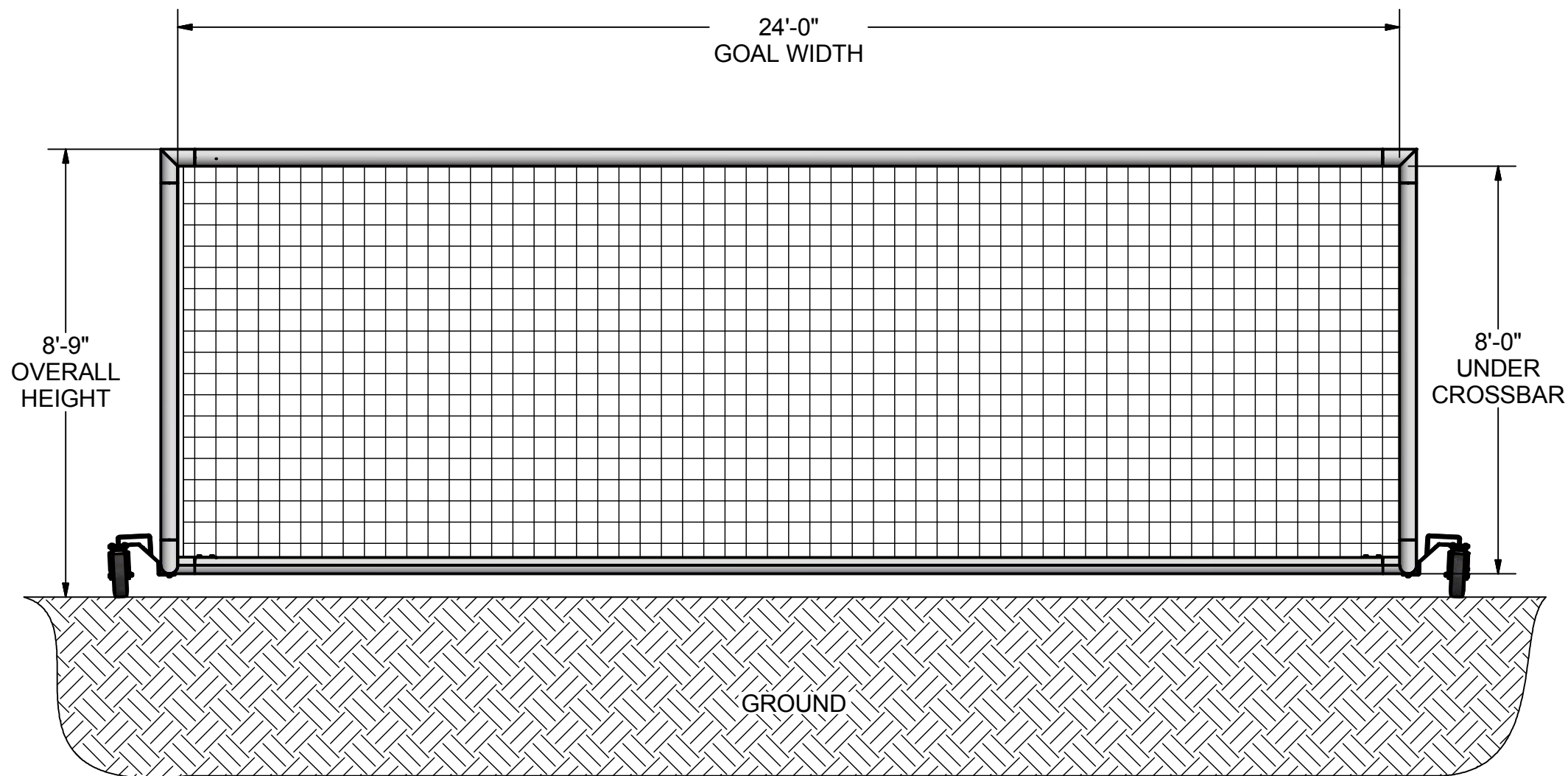
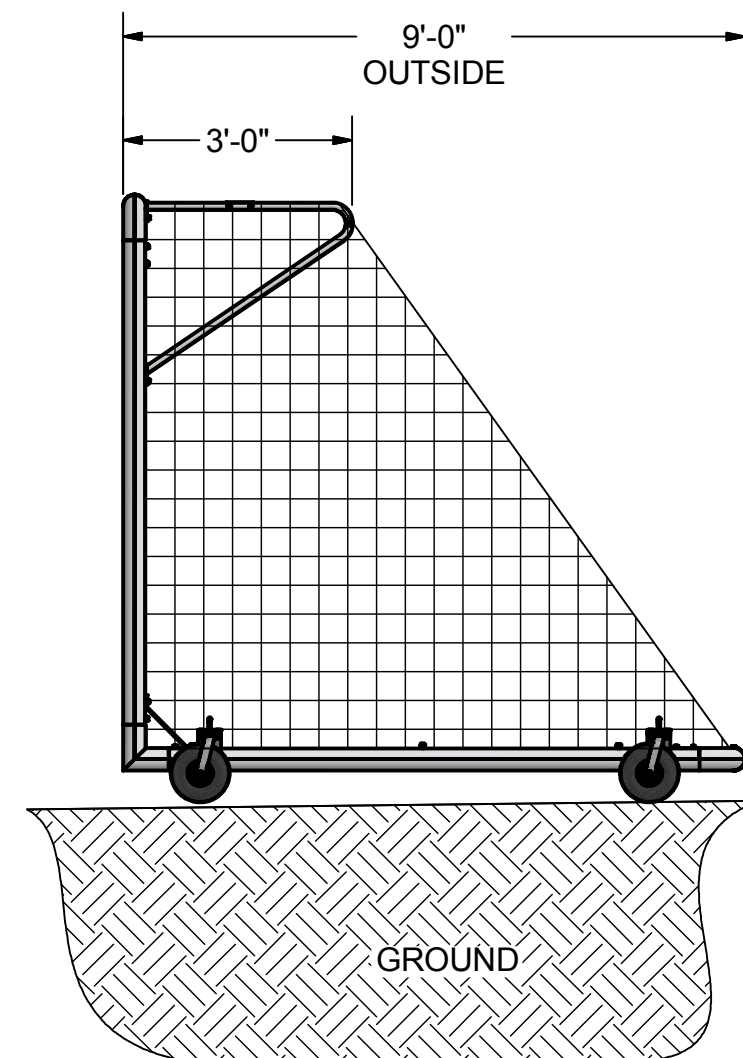


FRONT VIEW

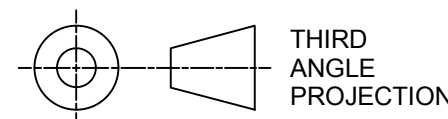


SIDE VIEW



FEATURES:

- 1) ALUMINUM GOAL FRAME AND BACKSTAYS
- 2) FINISH: WHITE POWDER COAT
- 3) INCLUDED:
 - 4 - SEMI PERMANENT GROUND ANCHORS
 - 3 mm, WHITE NET
 - KWIK LOCK NET CLIPS
 - 4 - REMOVABLE SWIVEL WHEEL WITH NO-FLAT TIRES
 - 6 - SADDLE ANCHOR BAGS
- 4) ASSEMBLED GOAL WEIGHT: 271 LBS.
- 5) EXCEEDS:
 - NCAA SPECIFICATIONS
 - NFHS SPECIFICATIONS
 - ASTM F2950-14 STANDARDS



KWIKGOAL® 140 Pacific Drive
Quakertown, Pa. 18951

DIMENSIONS ARE IN INCHES UNLESS OTHERWISE SPECIFIED

Approved By:
Date:

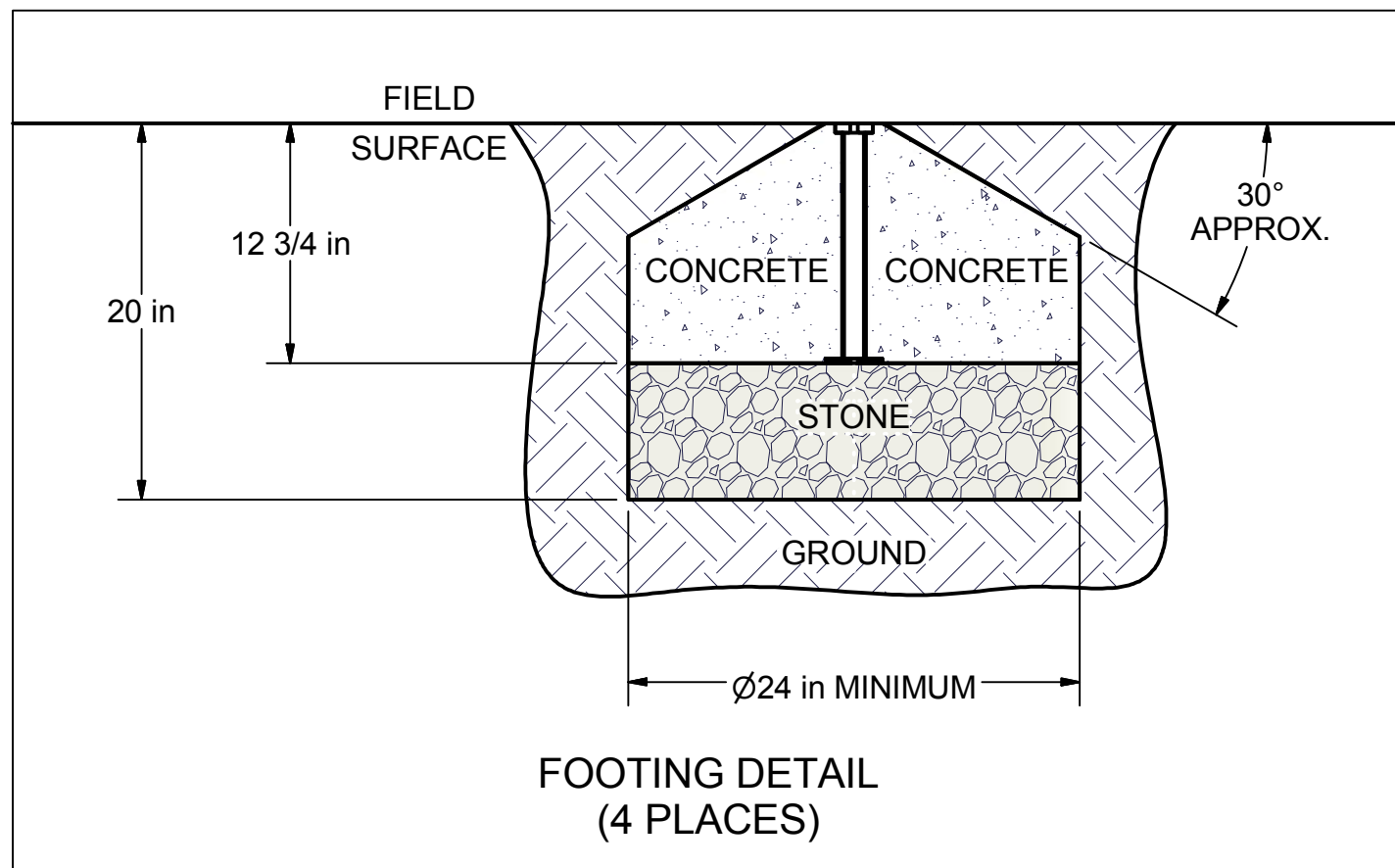
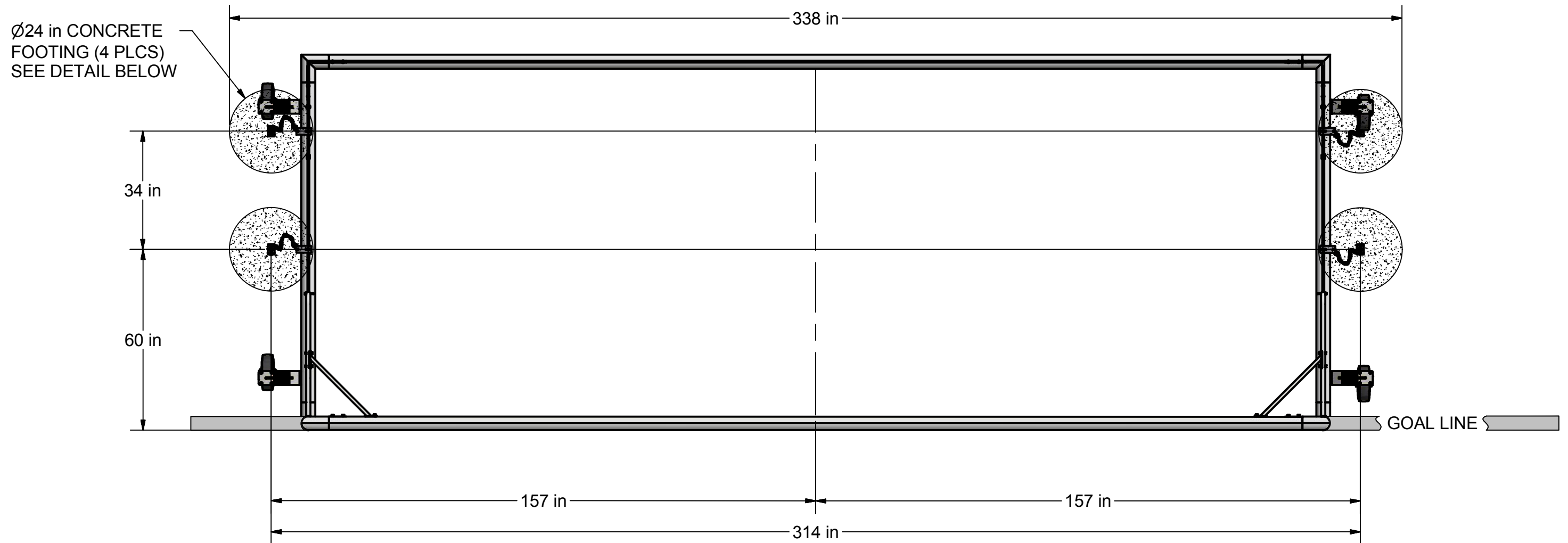
Part #:
2B3806SW

This item is the **exclusive** property of **KWIK GOAL LTD.** Reproduction or duplication **without** the express written consent of **KWIK GOAL LTD.** is **strictly forbidden.**

Drawn By: jwillenbecher
Date: 9/1/2015
Sheet: 1 of 4
Revision #: 1
Cad File: 2B3806SW.idw

Desc:
8' X 24' FUSION GOAL

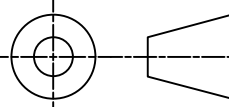

OVERHEAD VIEW

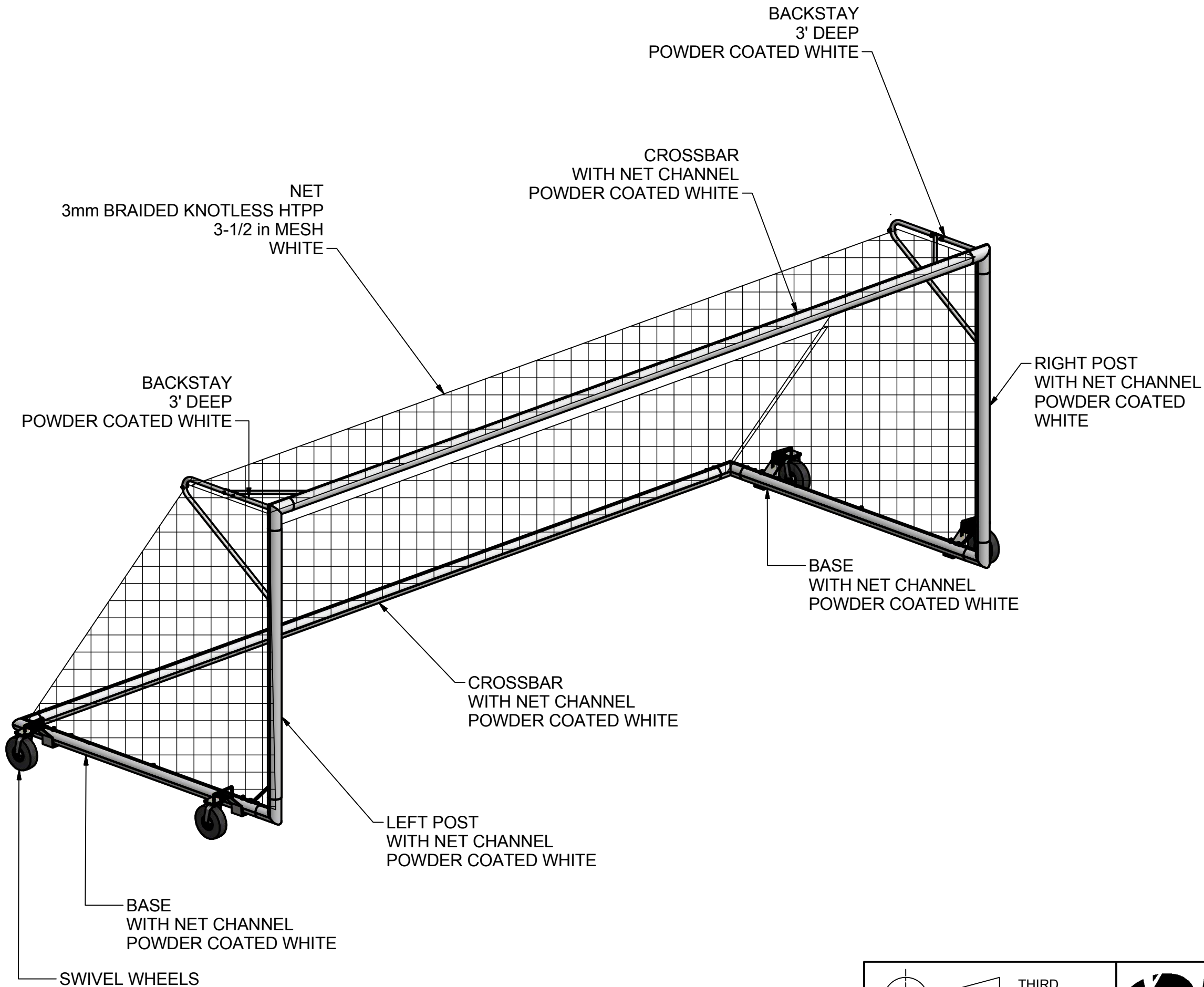


FOOTING DETAIL
(4 PLACES)

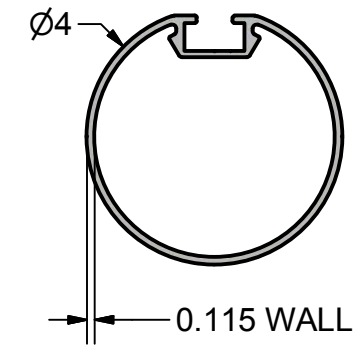
NOTES:

- 1) DIMENSIONS ARE FOR PLANNING PURPOSES. INSTALLATION MUST BE IN ACCORDANCE WITH INSTALLATION INSTRUCTIONS.
- 2) CUSTOMER SUPPLIED MATERIALS FOR GOAL INSTALLATION
 - 0.5 CUBIC YARD - CONCRETE
 - 0.3 CUBIC YARD - CLEAN STONE (1/4" - 3/4")
 ALL QUANTITIES ARE FOR ONE GOAL

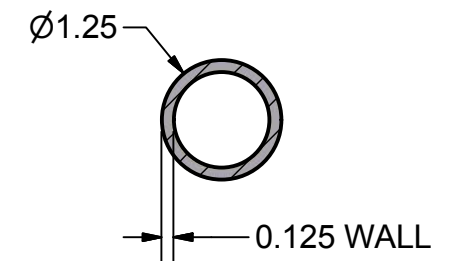
 THIRD ANGLE PROJECTION	 140 Pacific Drive Quakertown, Pa. 18951	
	DIMENSIONS ARE IN INCHES UNLESS OTHERWISE SPECIFIED	Approved By: Date:
This item is the exclusive property of KWIK GOAL LTD. Reproduction or duplication without the express written consent of KWIK GOAL LTD. is strictly forbidden.	Drawn By: jwillenbecher Date: 9/1/2015 Sheet: 2 of 4 Revision #: 1 Cad File: 2B3806SW.idw	Desc: 8' X 24' FUSION GOAL



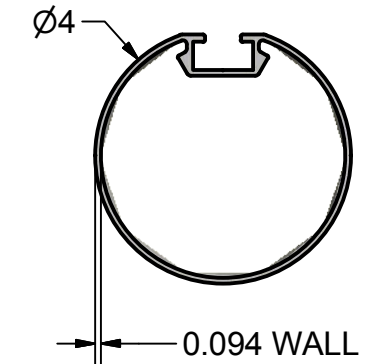
MATERIAL DETAILS



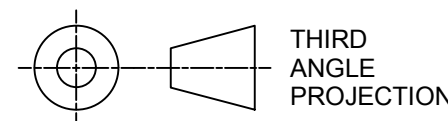
POSTS & BASES
MATERIAL - ALUMINUM



BACKSTAYS
MATERIAL - ALUMINUM



CROSSBARS
MATERIAL - ALUMINUM



KWIKGOAL® 140 Pacific Drive
Quakertown, Pa. 18951

DIMENSIONS ARE IN INCHES
UNLESS OTHERWISE SPECIFIED

Approved By:
Date:

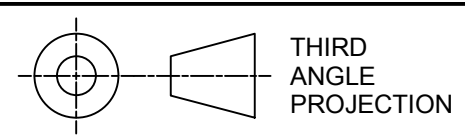
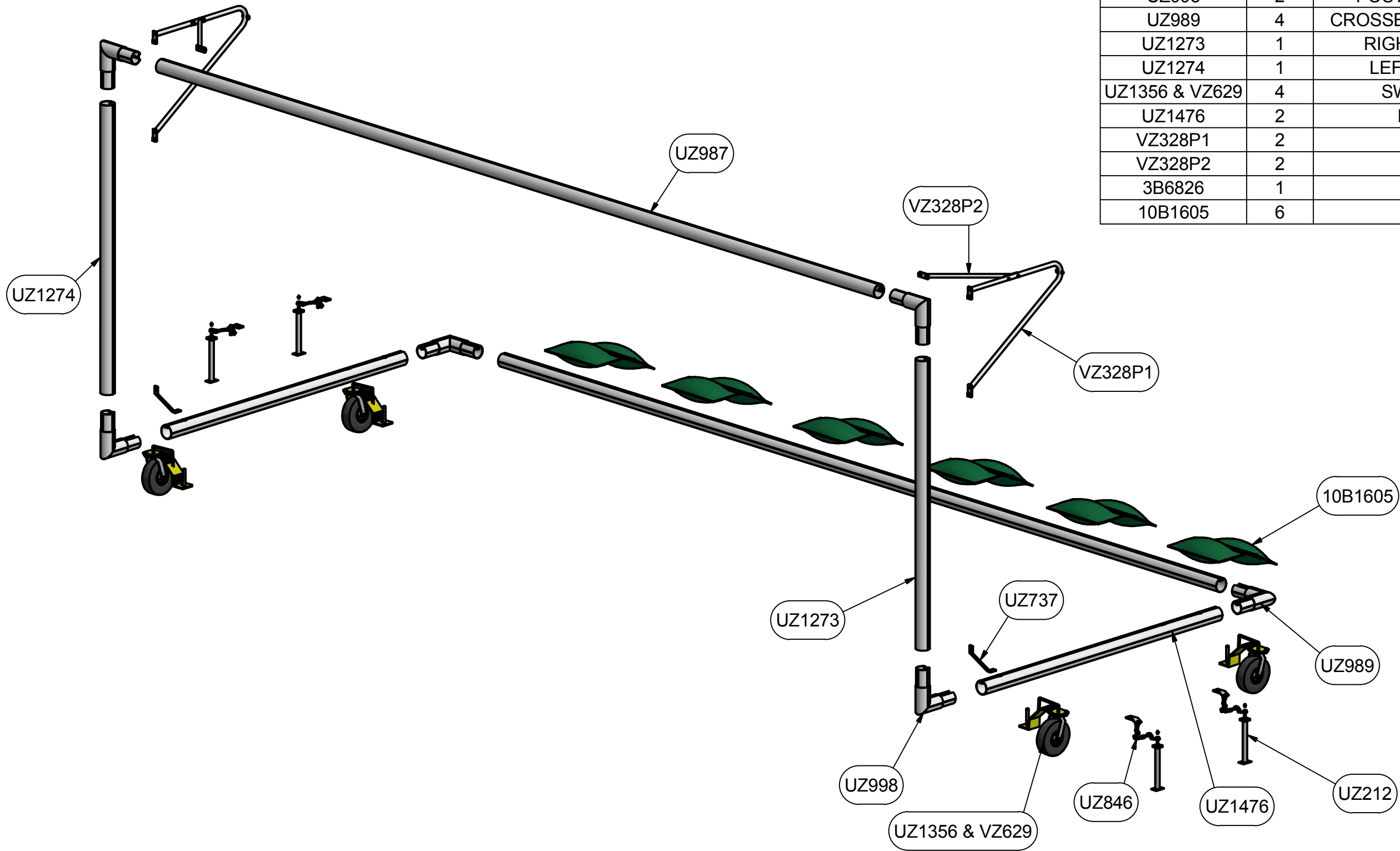
Part #:
2B3806SW

This item is the **exclusive** property of **KWIK GOAL LTD.** Reproduction or duplication **without** the express written consent of **KWIK GOAL LTD.** is **strictly forbidden.**

Drawn By: jwillenbecher
Date: 9/1/2015
Sheet: 3 of 4
Revision #: 1
Cad File: 2B3806SW.idw

Desc:
8' X 24' FUSION GOAL

PARTS LIST		
PART#	QTY	DESCRIPTION
UZ212	4	GROUND ANCHOR ASSEMBLY
UZ737	2	POST BRACE
UZ846	4	CHAIN ASSY, GROUND ANCHOR
UZ987	2	CROSSBAR, 4 RND V-TRACK2
UZ998	2	POST CORNER, 4 RND V-TRACK2
UZ989	4	CROSSBAR CORNER, 4 RND V-TRACK2
UZ1273	1	RIGHT POST, 4" RND V-TRACK2
UZ1274	1	LEFT POST, 4" RND V-TRACK2
UZ1356 & VZ629	4	SWIVEL WHEEL ASSEMBLY
UZ1476	2	BASE, 4 RND V-TRACK2
VZ328P1	2	BACKSTAY
VZ328P2	2	BACKSTAY BRACE
3B6826	1	NET, SOCCER GOAL
10B1605	6	SADDLE ANCHOR BAG



KWIK GOAL® 140 Pacific Drive
Quakertown, Pa. 18951

DIMENSIONS ARE IN INCHES
UNLESS OTHERWISE SPECIFIED

Approved By:
Date:

Part #:
2B3806SW

This item is the **exclusive** property of **KWIK GOAL LTD.** Reproduction or duplication **without** the express written consent of **KWIK GOAL LTD.** is **strictly forbidden.**

Drawn By: jwillenbecher
Date: 9/1/2015
Sheet: 4 of 4
Revision #: 1
Cad File: 2B3806SW.idw

Desc:
8' X 24' FUSION GOAL