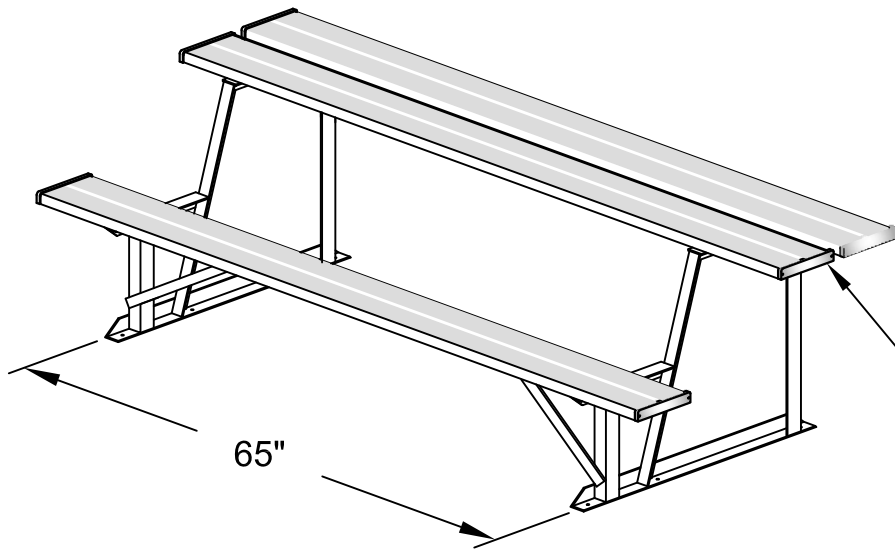


THIS WARNING IS GIVEN IN COMPLIANCE WITH CALIFORNIA PROPOSITION 65:

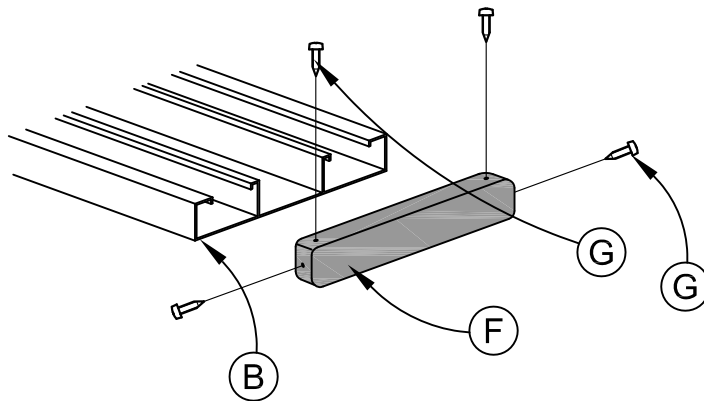
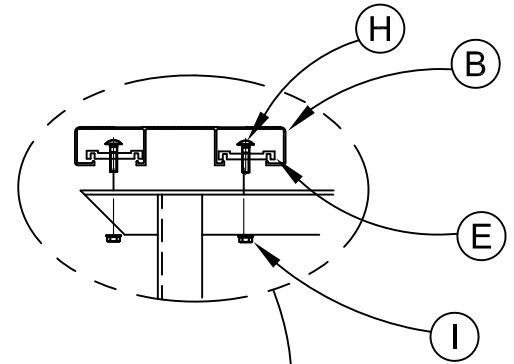
WARNING

This product may contain chemicals known to the State of California to cause cancer, birth defects or other reproductive harm.

SCORERS TABLE WITH BENCH 7 1/2' ADA COMPLIANT



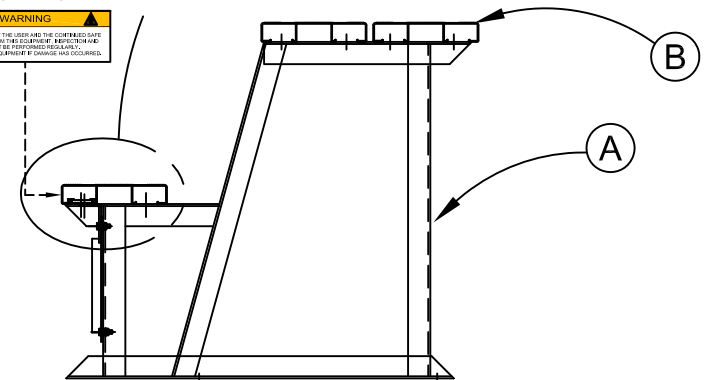
IMPORTANT
 PLANKS SHOULD HANG OVER BENCH LEGS 6" ON ONE END & 19" ON THE WHEELCHAIR ACCESSIBLE END.



PLACE WARNING DECAL ON FRONT OF THE SEATING PLANK.

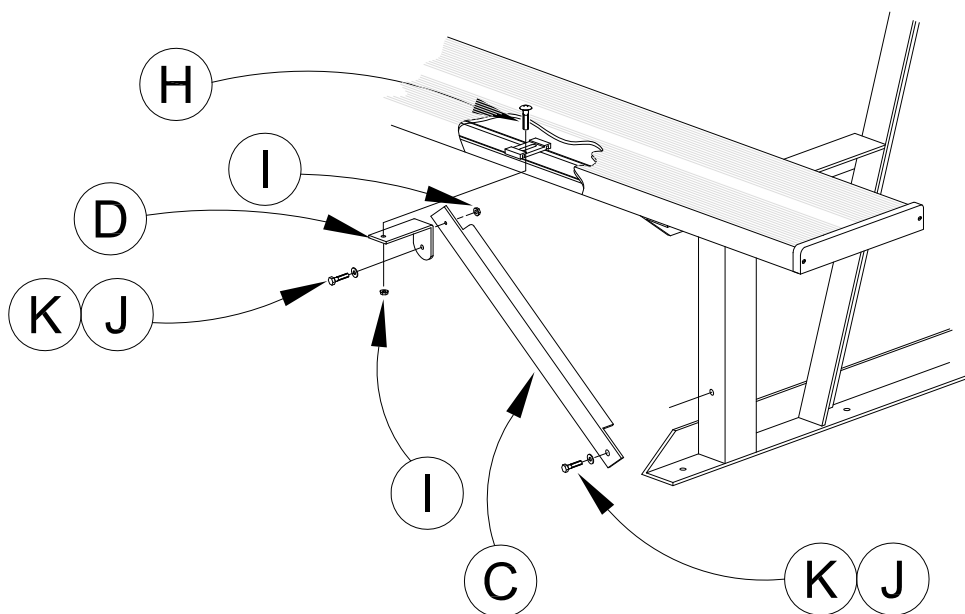
WARNING

FOR THE SAFETY OF THE USER AND THE CONFIRMED SAFE PERFORMANCE FROM THIS EQUIPMENT, REGULAR AND MAINTENANCE MUST BE PERFORMED REGULARLY. DO NOT USE THE EQUIPMENT IF DAMAGE HAS OCCURRED.



SCORERS TABLE WITH BENCH 7.5'
PARTS LIST

ITEM	DESCRIPTION	QTY
A	BENCH LEGS	2 EA.
B	7.5 ANODIZED PLANKS	3 EA.
C	CROSS BRACE 24"	2 EA.
D	CROSS BRACE BRACKET	2 EA.
E	BOLT CLIPS	18 EA.
F	PLANK END CAPS	8 EA.
G	SELF DRILLING SCREW #8	32 EA.
H	CARRIAGE BOLT 5/16" X 1 1/4"	18 EA.
I	LOCKING FLANGED NUT 5/16"	22 EA.
J	HEX BOLT 5/16" X 1"	4 EA.
K	FLAT WASHER 5/16"	4 EA.



⚠ WARNING ⚠

FOR THE SAFETY OF THE USER AND THE CONTINUED SAFE PERFORMANCE FROM THIS EQUIPMENT, INSPECTION AND MAINTENANCE MUST BE PERFORMED REGULARLY. DO NOT USE THIS EQUIPMENT IF DAMAGE HAS OCCURRED.

TO PROTECT USER FROM ANY POSSIBLE TIPPING HAZARD FROM MISUSE, PRODUCT MUST BE ANCHORED TO CONCRETE SLAB.

THE SHELF OR TABLE PORTION OF THIS PRODUCT **IS NOT** DESIGNED FOR SITTING ON.