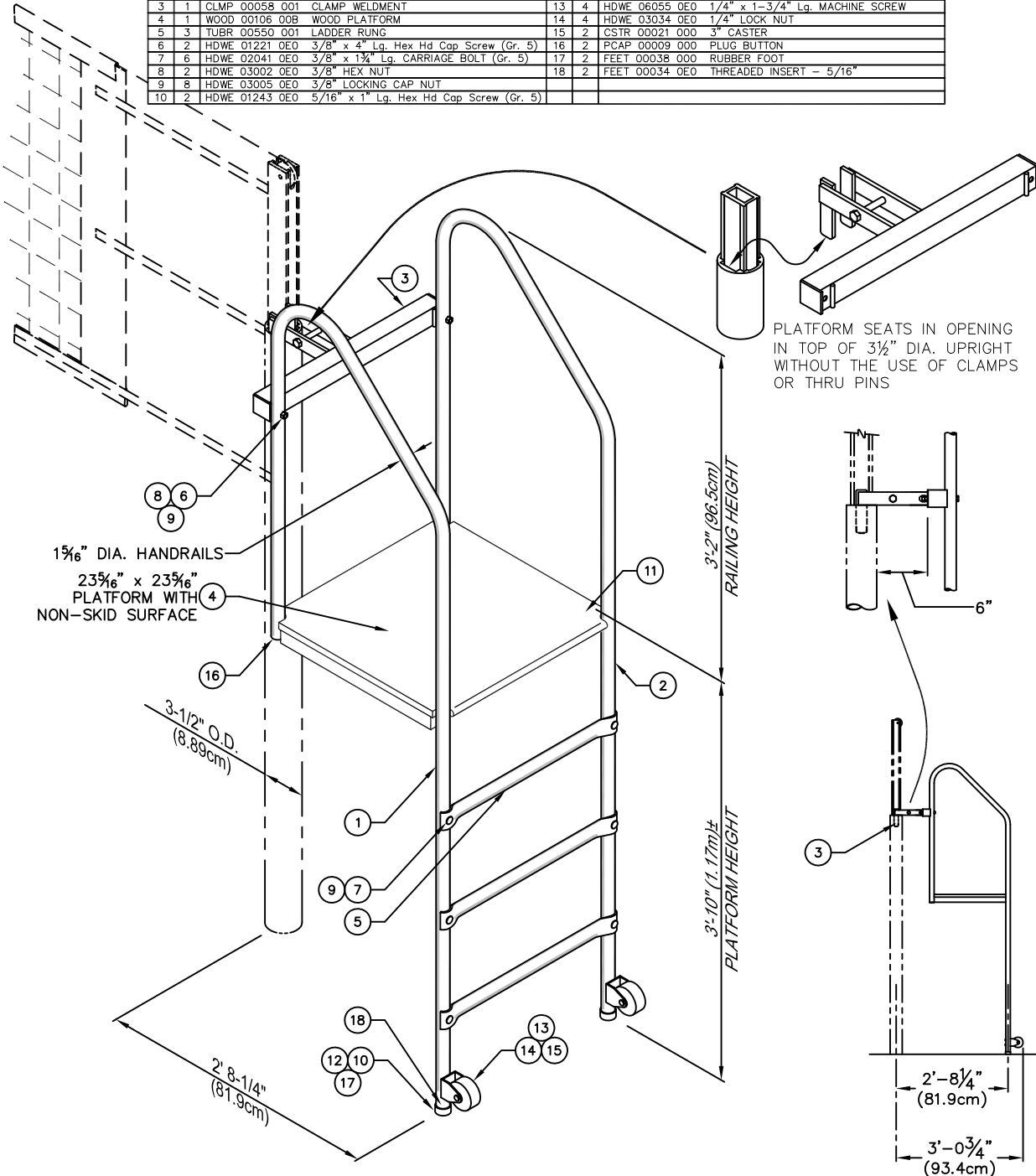


# 00999000 - JUDGE'S STAND

## FITTED JUDGE'S STAND

PARTS LIST - No. 00999-000					
No.	QTY.	DESCRIPTION	No.	QTY.	DESCRIPTION
1	1	FRME 00152 001 LEFT-HAND LADDER SIDE	11	6	HDWE 06119 0E0 #14 x 5/8" Lg. Sheet Metal Screw
2	1	FRME 00153 001 RIGHT-HAND LADDER SIDE	12	2	HDWE 05003 0E0 1/4" FLATWASHER
3	1	CLMP 00058 001 CLAMP WELDMENT	13	4	HDWE 06055 0E0 1/4" x 1-3/4" Lg. MACHINE SCREW
4	1	WOOD 00106 00B WOOD PLATFORM	14	4	HDWE 03034 0E0 1/4" LOCK NUT
5	3	TUBR 00550 001 LADDER RUNG	15	2	CSTR 00021 000 3" CASTER
6	2	HDWE 01221 0E0 3/8" x 4" Lg. Hex Hd Cap Screw (Gr. 5)	16	2	PCAP 00009 000 PLUG BUTTON
7	6	HDWE 02041 0E0 3/8" x 1 1/2" Lg. CARRIAGE BOLT (Gr. 5)	17	2	FEET 00038 000 RUBBER FOOT
8	2	HDWE 03002 0E0 3/8" HEX NUT	18	2	FEET 00034 0E0 THREADED INSERT - 5/16"
9	8	HDWE 03005 0E0 3/8" LOCKING CAP NUT			
10	2	HDWE 01243 0E0 5/16" x 1" Lg. Hex Hd Cap Screw (Gr. 5)			



— 00999-000 JUDGE'S STAND FOR  
No. 01991-000 POWR-LINE® AND No. 01999000 COMPOSITE VOLLEYBALL SYSTEMS

— 00993-1xx SET OF PROTECTIVE PADS FOR  
No. 00999-000 JUDGE'S STAND  
(CUSTOM COLORS AVAILABLE - SEE PAGE No. V-993-1)

# porter®

888-277-7778 PORTER@PORTERATHLETIC.COM  
© COPYRIGHT 2012 PORTER ATHLETIC - ALL RIGHTS RESERVED

PROJECT NUMBER

PROJECT NAME

# porter

WWW.PORTERATHLETIC.COM/FACILITY

## VOLLEYBALL SPECIFICATION SHEET

V-999

8/28/2013

# 00999000 - JUDGE'S STAND

## FITTED JUDGE'S STAND

### SPECIFICATIONS

#### PORTER No. 00999-000 JUDGE'S STAND

Judge's Stand shall be designed with a special attachment fitting to seat in the cavities of the 3-1/2" (8.9cm) O.D. aluminum upright of the No. 01991-000, 01993-000, 01995-000, and 01999000 Powr-Line® Volleyball Systems without the use of clamps, handwheels, locating pins or tools.

Platform support side frames shall consist of formed 1-5/16" (3.3cm) O.D. steel tube handrail/ladder sections with a heavy angle weldment for the support of the platform. Formed handrails shall extend 38" (96.5cm) above the platform. Three (3) special, formed, 1-5/16" (3.3cm) O.D. ladder rung sections shall be equally spaced to allow for ease of mounting platform. Lower end of ladder side frames shall be equipped with heavy-duty diameter, nonmarking rubber pads. Side frames are also equipped with 3" (7.6cm) diameter, non-marking caster wheels positioned for ease of tipping and transporting to storage areas. Side frames and ladder rungs shall be finished in a durable powder-coated finish.

Platform shall be 23-5/16" x 23-5/16" (59.2cm x 59.2cm), constructed of a high quality 3/4" (1.9cm) thick birch laminate, with a reinforced understructure. Platform shall be finished in a clear lacquer with a non-slip top surface. Top of platform shall be positioned 3'-10" (1.17m) above playing surface when in use.

#### OPTIONAL ITEMS TO SPECIFY

| See Page No. V-993-1 for specifications on Porter No. 00993-1xx Set of Protective Pads.