

ASSEMBLY & INSTALLATION INSTRUCTIONS

JUDGE'S STANDS

No. 00889-100 and 00999-000

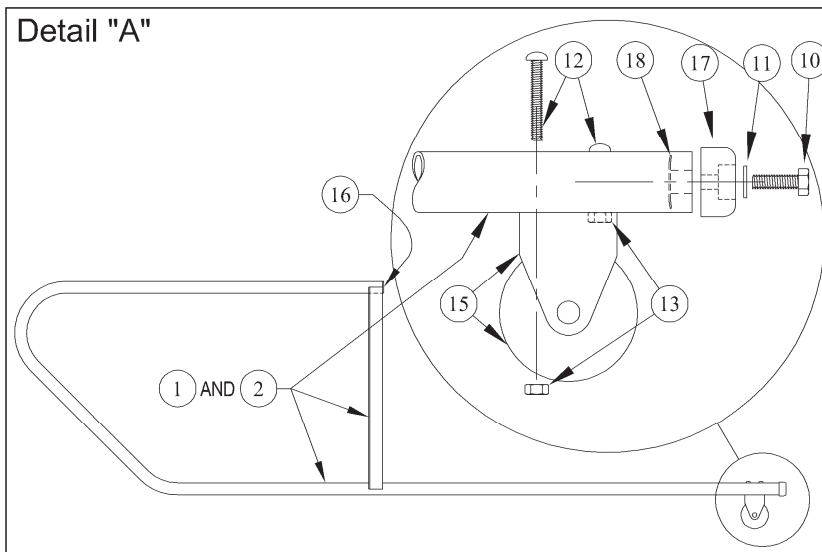
TOOLS REQUIRED: 7/16" Wrench 1/2" Wrench 9/16" Wrenches 5/32" Allen Wrench
 Hammer Tape Measure #2 Phillips Screwdriver

1. Check all items against Parts List at right to ensure that all parts and hardware are available to complete the installation.
2. Assemble plug button (16) into ends of each ladder side frame (1 and 2). See Detail "A".
3. Assemble 5/16" threaded inserts (18) into lower end of each ladder side frame (1 and 2). Secure rubber feet (17) to threaded inserts with 5/16" x 1" lg. hex head cap screw (10) and 1/4" flatwasher (11). See Detail "A".
4. Attach 3" caster (15) to each ladder side frame (1 and 2) with two 1/4" x 1-3/4" lg. round head machine screws (13) and 1/4" locknuts (14). See Detail "A".
5. Ensure that 3-1/2" diameter volleyball upright is in place – in floor sleeve (No. 1991, 1971, 1951, 851, etc.) – or in portable T-Base (No. 1995, 1975, 1955, 855, etc.).

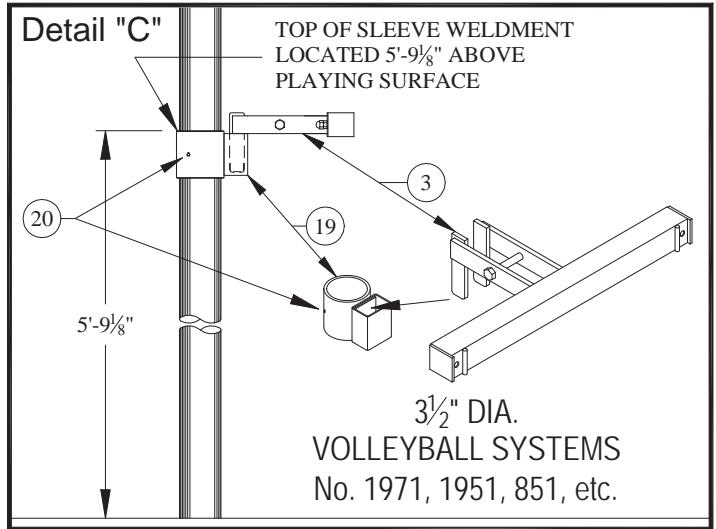
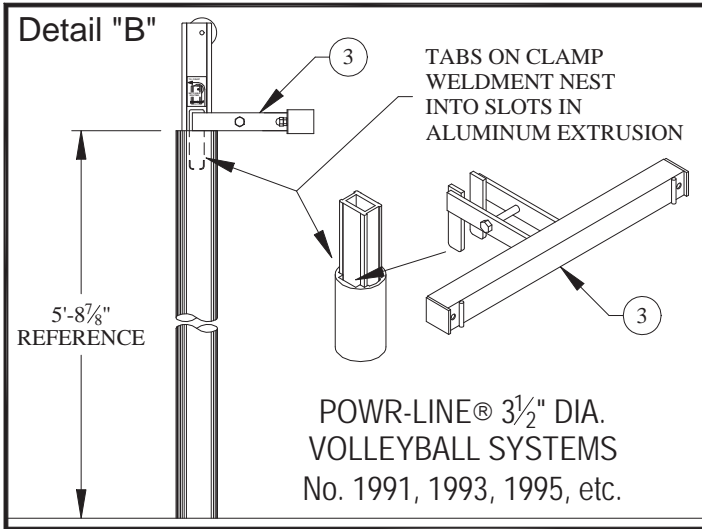
Item No.	Part No.	PARTS LIST		Description
		00889-100 Quantity	00999-000 Quantity	
1	FRME 00152 001	1	1	Ladder Side Frame – Left-Hand
2	FRME 00153 001	1	1	Ladder Side Frame – Right-Hand
3	CLMP 00058 001	1	1	Clamp Weldment
4	WOOD 00106 10B	1	1	Wood Platform
5	TUBR 00550 001	3	3	Ladder Rung
6	HDWE 01221 0E0	2	2	3/8" x 4" Lg. Hex Head Cap Screw (Grade 5)
7	HDWE 02041 0E0	6	6	3/8" x 1-3/4" Lg. Carriage Bolt (Grade 5)
8	HDWE 03002 0E0	2	2	3/8" Hex Nut
9	HDWE 03005 0E0	8	8	3/8" Locking Cap Nut
10	HDWE 01243 0E0	2	2	5/16" x 1" Lg. Hex Head Cap Screw (Grade 5)
11	HDWE 05003 0E0	2	2	1/4" Flatwasher
12	HDWE 06055 0E0	4	4	1/4" x 1-3/4" Lg. Round Head Machine Screw
13	HDWE 03034 0E0	4	4	1/4" Locknut
14	HDWE 06119 0E0	6	6	#14 x 5/8" Lg. Sheet Metal Screw
15	CSTR 00021 000	2	2	3" Caster
16	PCAP 00009 000	2	2	Plug Button
17	FEET 00038 000	2	2	Rubber Foot
18	FEET 00034 0E0	2	2	Threaded Insert – 5/16"
19	SLVE 00097 001	1	--	Sleeve Weldment
20	HDWE 09015 000	2	--	5/16" x 3/8" Lg. Set Screw

6. **No. 00999-000 ONLY – SEE DETAIL "B"** – Locate clamp weldment (3) in opening on top of POWR-LINE® 3-1/2" diameter outer upright as shown in Detail "B".

No. 00889-100 ONLY – SEE DETAIL "C" – Assemble sleeve attachment (19) to 3-1/2" diameter volleyball upright with the top of the sleeve weldment located 5' 9-1/8" above the playing surface, and the rectangular opening facing away from the court. Assemble with two 5/16" x 3/8" lg. set screws (20). Locate clamp weldment (3) in rectangular opening in sleeve weldment (19) as shown in Detail "C".

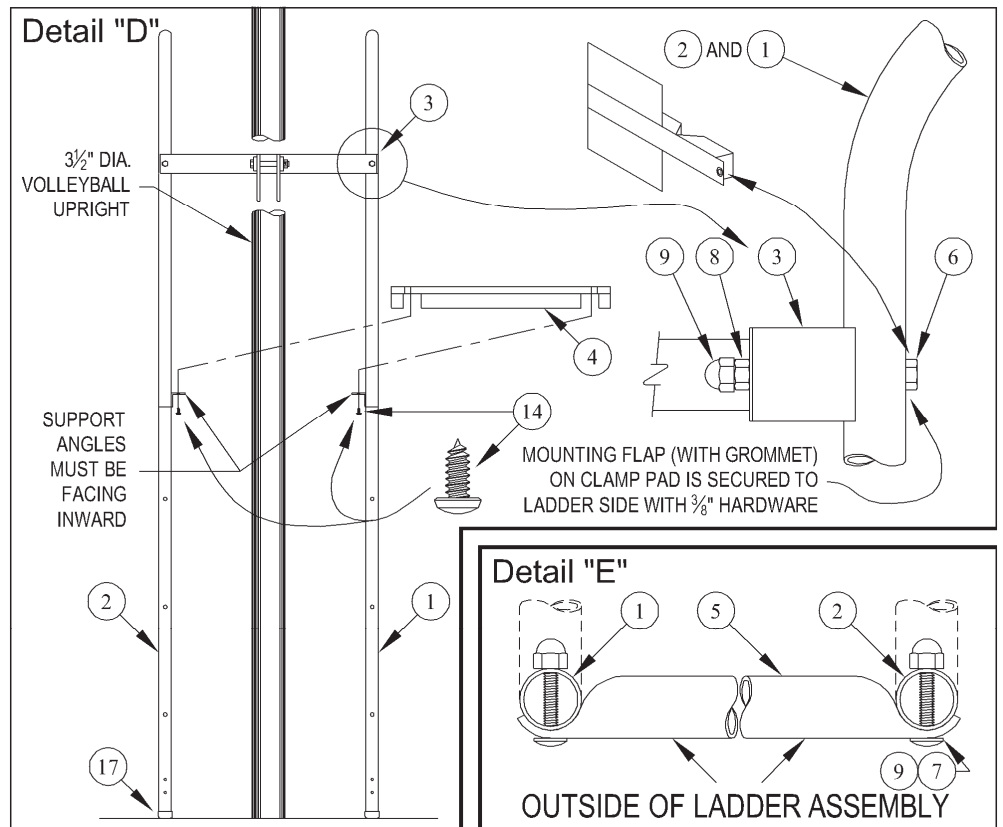


7. Locate two clamp pads from No. 993 Protective Pad set. Next, attach left-hand and right-hand ladder side frames (1 and 2), and the clamp pads, to the clamp weldment (3) with 3/8" x 4" lg. hex head cap screws (6), 3/8" hex nuts (8) and 3/8" locking cap nuts (9). **IMPORTANT NOTE** – The platform support angles must face inward as shown in Detail "D". Follow the instruction sheet included with the pads to complete the installation of the clamp pads.
8. Secure ladder rungs (5) to the outside of the ladder side frames (1 and 2) with 3/8" x 1-3/4" lg. carriage bolts (7) and 3/8" locking cap nuts (9). Do not tighten hardware at this time. See Detail "E".
9. Lay wood platform (4) in position with rounded edge facing outward, toward the ladder side of the unit. Secure wood platform (4) to the support angles on the ladder side frames (1 and 2) with six #14 x 5/8" lg. sheet metal screws (14). Note – screws are routed thru the pre-drilled holes in the ladder side frames and into the wood platform. Do not tighten hardware at this time. See Detail "D".



10. Check assembled unit to ensure that the two round feet (17) are resting firmly on the floor. In case the floor is uneven, etc., rack unit slightly until both feet rest evenly on the floor. Tighten *all* hardware securely at this time.

WARNING
This Judge's Stand must be used with a No. 993 Protective Padding Set, to reduce the possibility of player injury, and to comply with all standards for competition.



CARE AND MAINTENANCE

- A. Inspect this unit before each use for any loose or missing bolts or parts.
- B. Do not use this equipment if any hardware is loose or missing, or structural fatigue or possible equipment failure is evident. Order replacement parts immediately. Do not allow anyone to use this equipment before making repairs, to avoid possible injuries or property damage.

WARNING: This product can expose you to Wood Dust, which is known to the State of California to cause cancer. For more information go to www.p65warnings.ca.gov.

porter

Porter Athletic Equipment Company
601 Mercury Dr, Champaign, IL U.S.A., 61822
Toll Free: (888) 277-7778 • Phone: (217) 367-8438 • Fax: (217) 367-8440
www.porterathletic.com

SAVE THESE INSTRUCTIONS FOR FUTURE REFERENCE,
AND TO ORDER REPLACEMENT PARTS