

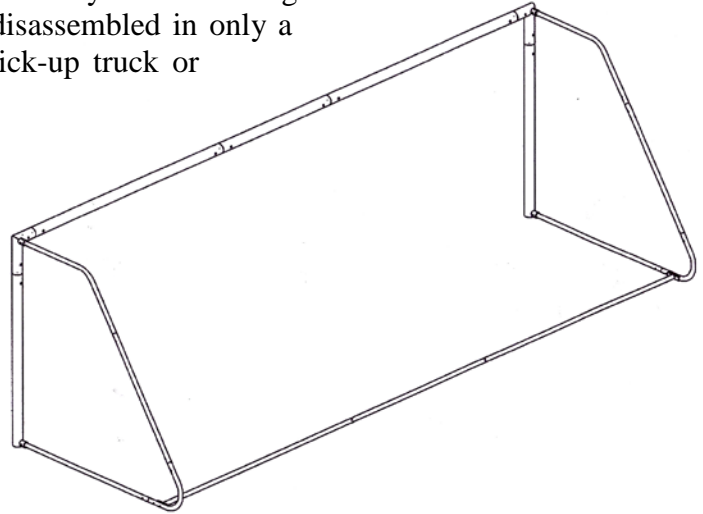
# QUICK-KICK GOALS

## PRO-BOUND SPORTS LLC.

### 6 1/2' x 12' GOAL

Congratulations on the purchase of your QUICK-KICK Goals. This goal is manufactured with the highest degree of quality and will provide years of excellent service if reasonable care and proper maintenance are provided by the user. The most unique feature of this product is its storage/portability. The QUICK-KICK Goal is the only full scale regulation soccer goal designed to be fully assembled and disassembled in only a few minutes to easily fit in a mini van, small pick-up truck or even a sport utility vehicle.

Open all boxes and examine all goal parts for damage. Use the following parts list for the goal you have purchased, to determine if you have any missing parts. Immediately contact the supplier, distributor, or manufacturer from which you purchased your goal if you find you have an incomplete product.

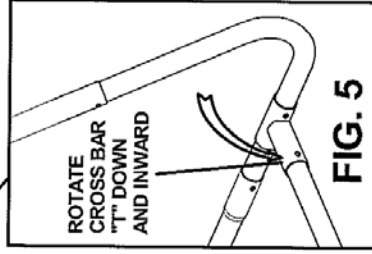
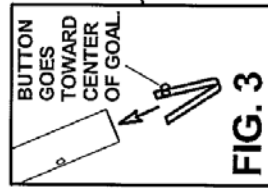
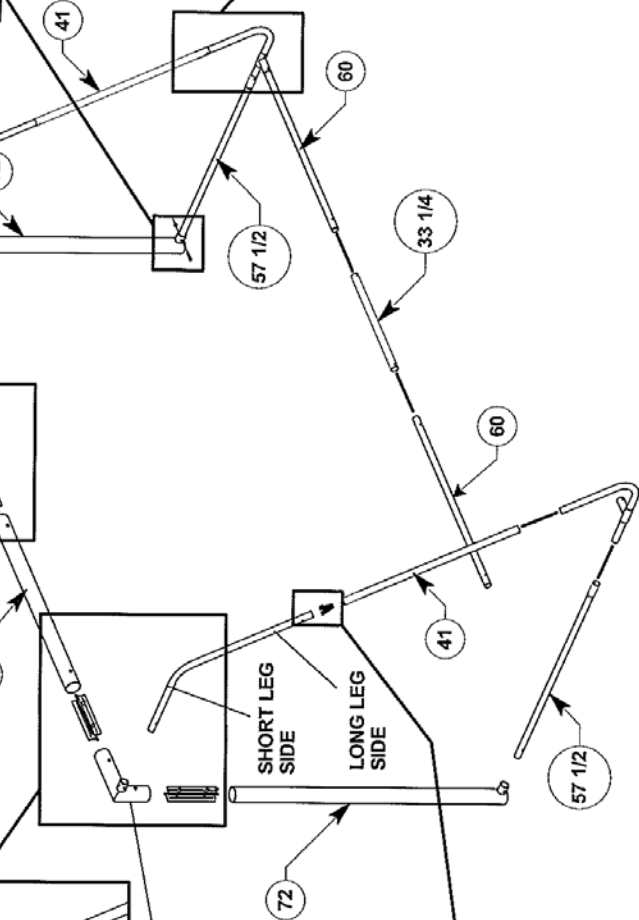
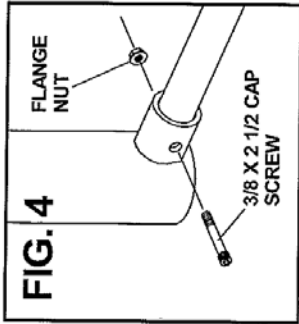
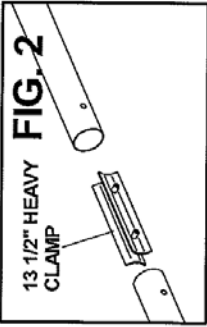
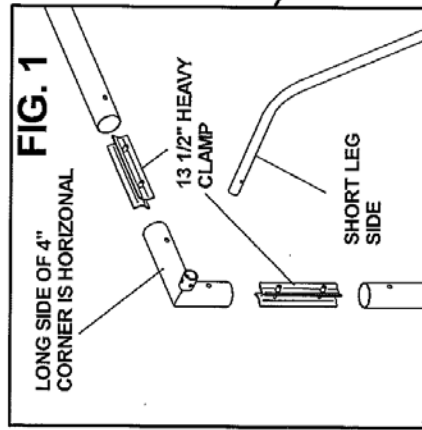


**Refer to the following list for sizes and length of parts to help determine their locations during the assembly process.**

#### Parts List

13 1/2" Heavy Expansion Clamp	5 each
4" Dia. Corner (Style "X")	1 each
4" Dia. Corner (Style "Y")	1 each
4" Dia. End Post	2 ea. (72")
4" Dia. Header Tube	2 ea. (60")
Back Stay - "Top" Corner	2 each
Back Stay - "Bottom" Corner/ Cross Bar "T"	2 each
Back Stay - Angle Splice	2 ea. (41")
Back Stay - Ground Runner Splice	2 ea. (57 1/2")
Ground Cross Bar	2 ea. (60")
Ground Cross Bar Splice	1 ea. (33 1/4")
Back Stay Hardware	
Spring Buttons (packaged with backstay corners)	2 each
3/8 x 2 1/2" Allen Cap Screw	4 each
3/8 Flange Nuts	4 each
7/16 X 2 1/4" Allen Cap Screw	10 each

# 6 1/2' X 12' GOAL ASSEMBLY DIAGRAM



**WARNING - WARNING - WARNING**  
 This goal was designed to be used as a soccer ball goal, for the game of soccer only. Securely anchor soccer goal at all times, unsecured goals can fall over or tip. Read Safety Warning Labels must be clearly visible. Never allow anyone to sit on, stand on, hang on, or climb on soccer goal and/or net, as they may break off or become loose, causing injury or death. Do not attempt to climb on goal while attaching net. Check structural integrity and connecting hardware before every use. All fasteners and hardware are fully tightened before and after each use of this product. Replace damaged or missing parts or fasteners immediately and before using. When not in use, disassemble the goal on its face and securely anchor to ground or store goal in a secure area. Fully disassemble goals for seasonal storage. Assembled Soccer Goals should be anchored at all times and should never be left unattended. Do not use soccer Goals in High Winds, Bad Weather, Natural Disasters or Lightning. Any modifications to this goal will void any warranties. Always exercise extreme caution when moving goals and provide adequate manpower and goals should only be moved by authorized personnel. Soccer goals should only be used on level fields and never on a hill or slope.

# Assembly Instructions

## Tools required:

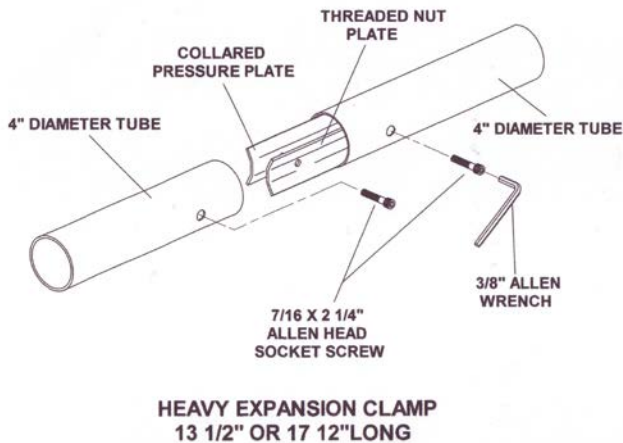
- 1 ea. - 5/16" Allen Wrench (Provided)
- 1 ea. - 3/8" Allen Wrench (Provided)
- 1 ea. - 9/16" Standard Wrench



## **STEP 1: Expansion Clamp Assembly Method**

The Goal you are about to assemble uses specially designed expansion clamps to join all 4" tubes. The following diagram illustrates the use of these clamps.

### **Expansion Clamp (Used on 4" Diameter Main frame Tubes)**



To join the ends and corners of the 4" diameter tubes during "Main (Front) Frame" assembly, slide the two parts of an expansion clamp halfway into the end of a 4" tube. Rotate the clamp or tube so the hole in the "threaded nut plate" is aligned with the hole at the end of the tube. Insert a 7/16 x 2 1/4" allen head socket screw through the hole and then into the threaded nut plate. Rotate clockwise until the allen head screw seats into the collar on the "collared pressure plate". Do not completely tighten. At this time, slip the adjoining tube section over the exposed end of the clamp and rotate the tube so that the hole at the end of that tube aligns with the hole in the "threaded nut plate". Use the 3/8" allen wrench to completely tighten this end of the clamp.

## **STEP 2: Orientation of 4" Goal Front**

Refer to the attached drawing. On a level surface, place all the parts on the ground with them respectively located to each other and properly orientated. **IMPORTANT:** X and Y style corners must be orientated as shown in Fig. 1. (**Long** side aligned with header tubes).

Refer to STEP 1 for expansion clamp assembly. (**Fig. 1**) With X and Y style corners properly orientated and face down, attach each of the main post to the short side of their respective corner using expansion clamps. Do not fully tighten any of the expansion clamps until all are in place.

## **STEP 3: 4" Header and Post Assembly**

(**Fig. 2**) Join each of the three sections together that make up the header section, using the expansion clamps. Again, do not fully tighten any of the expansion clamps. (**Fig. 1**) Attach the long side of the "X" and "Y" corners to each end of the assembled header. Adjust the tubes and corners so they are aligned to each other and tighten all the cap screw socket bolts.

**CAUTION:** Do not allow the ends of tubes to become damaged or deformed or they will not maintain a proper fit to their respective adjacent tube.

## **STEP 4: Backstay Side Frame Assembly**

(Fig. 3) Insert a spring button into each **Long** Leg Side of the Backstay Top Corners. **Spring buttons are orientated toward the inside of the goal.** (Fig. 5) On each Backstay Bottom Corner, rotate each Cross Bar “T” down and slide each toward the rear of the goal to snap into place on the spring button. With the corners properly orientated, attach the Backstay Angle Splice and Backstay Ground Runner Splice to the respective ends of each of the top and bottom backstay corners.

## **STEP 5: Backstay / Front Frame Assembly**

The front of the goal should be face down. Using two people, insert the top and bottom ends of the backstay side frame assemblies into the respective stubs at each of the 4” corner and 4” post bottom. Cross bolt them into place using the provided 3/8” x 2 1/2” cap screws and flange nuts. Tighten the bolts at this time.

**STOP!!! CHECK TO MAKE SURE ALL CLAMPS ARE TIGHT AND SECURE BEFORE PROCEEDING.**

## **STEP 6: Ground-Bar Assembly**

Using two or more people, raise the front of the goal and backstay side frames into the normal playing position. (Fig. 5) Assemble the ground bar tubing as shown and insert the ends into each Cross Bar “T”. Insure that all spring buttons have snapped into place.

## **Goal Assembly is Complete**

**For Further Assistance with your QUICK-Kick Goal please contact us.**

*PRO-BOUND SPORTS LLC.*

Dorrance KS 67634

1-800-525-8580

[sales@proboundsports.com](mailto:sales@proboundsports.com)

[www.proboundsports.com](http://www.proboundsports.com)

### **WARNING – WARNING - WARNING**

This goal was designed to be used as a soccer ball goal, for the game of soccer only. Securely anchor soccer goal at all times, unsecured goals can fall over causing serious injury or death. Safety Warning Labels must be clearly visible. Never allow anyone to sit on, stand on, hang on, or climb on soccer goal and/or net, as they may break and/or fall over causing serious injury or death. Do not attempt to climb on goal while attaching net. Check structural integrity and connecting hardware before every use. All fasteners and fastenings must be checked to insure they are fully tightened before and after each use of this product. Replace damaged or missing parts or fasteners immediately and before using. When goals are not in use; remove net, tip goal on its face and securely anchor to ground or store goal in a secure area. Fully disassemble goals for seasonal storage. Assembled Soccer Goals must be anchored at all times and should never be left Unattended. Do not use soccer Goals in High Winds, Bad Weather, Natural Disasters or Lightning. Any modifications to this goal will void any warranties. Always instruct anyone who might come in contact with goal, on the safe handling of and potential dangers associated with movable soccer goals. Always exercise extreme caution when moving goals and provide adequate manpower and goals should only be moved by authorized personnel. Soccer goals should only be used on level fields and never on a hill or slope.