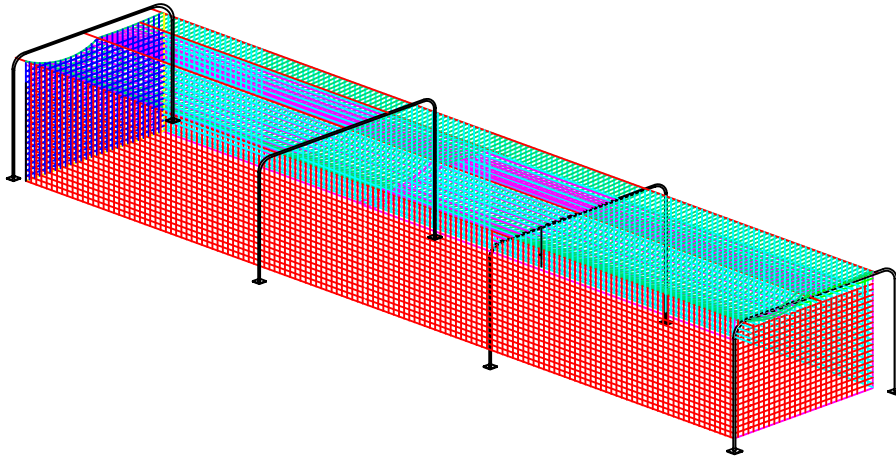


BATTING TUNNEL FRAME 4 SECTION



These instructions are for a 55 foot or 70 foot tunnel net. If you have purchased a different net, adjust the layout of the Uprights to be 2 feet longer than the net. This Frame is designed to be used with 12'w or 14'w nets.

SITE PREPARATION

1. Select a site where the frame is to be erected. The ground should be as level as possible and free of debris and obstacles.
2. Dig holes 30" deep and approximately 15" diameter. See **figure 1** for a 70' net or **figure 2** for a 55' net.

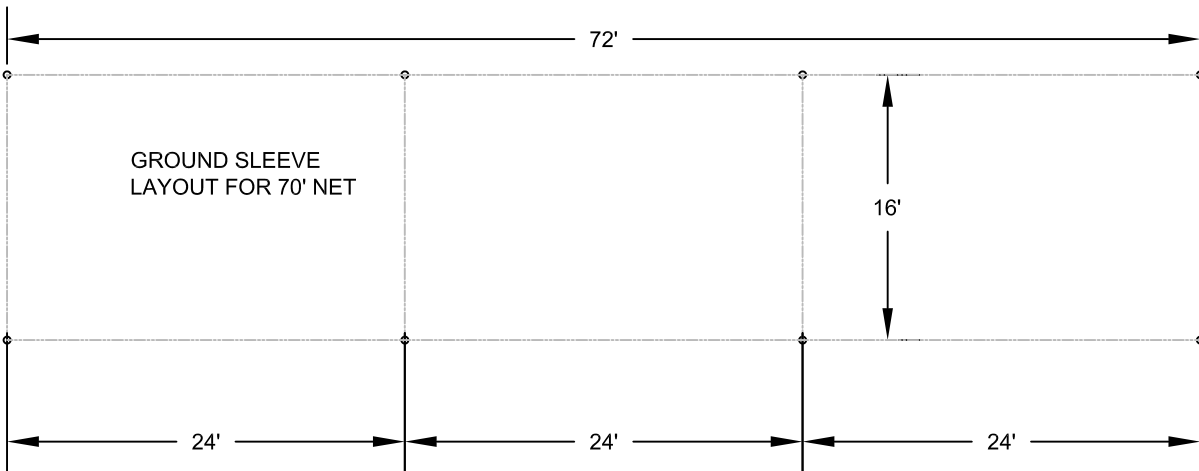


Figure 1

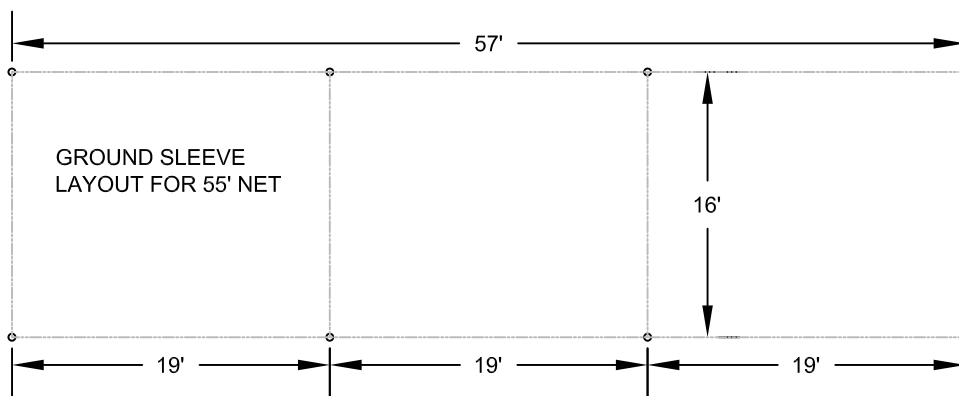


Figure 2

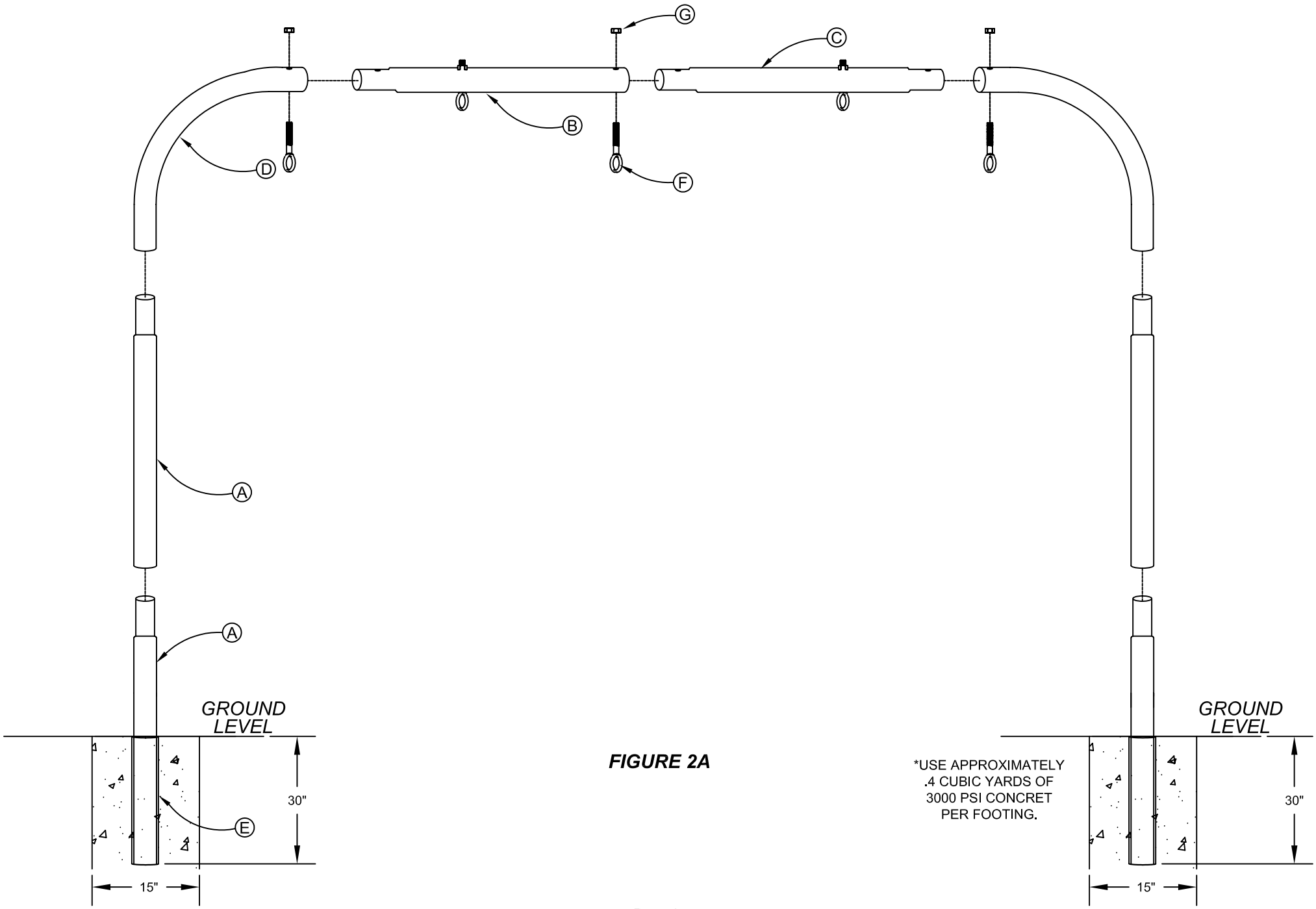
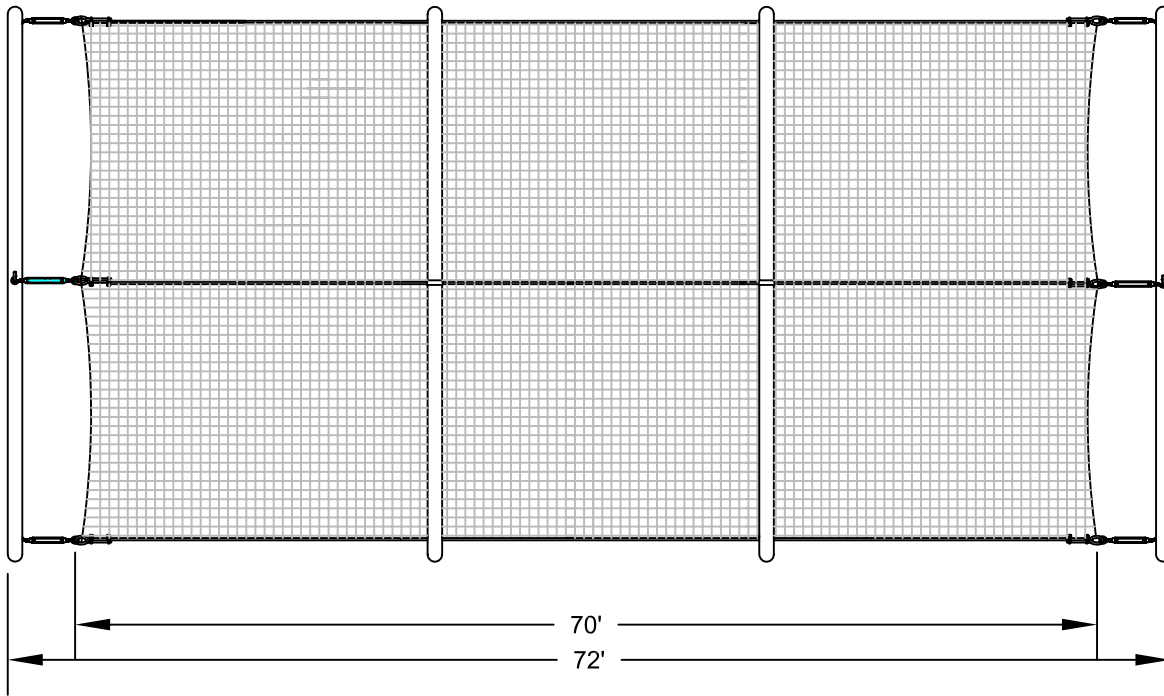


FIGURE 2A

TOP VIEW
FIGURE 3



SIDE VIEW
FIGURE 4

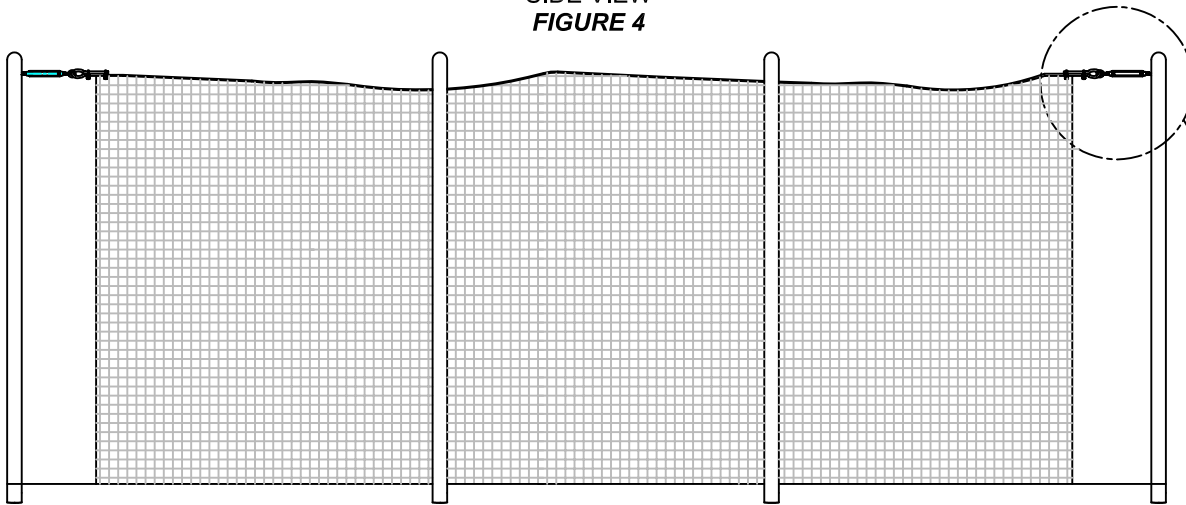
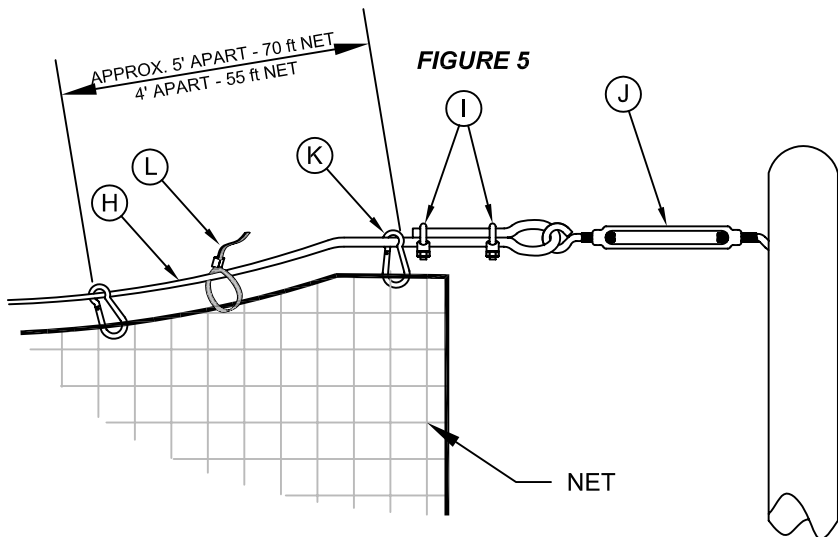


FIGURE 5



FRAME ASSEMBLY AND INSTALLATION

If you are installing on a full concrete slab or individual concrete footing the installation instructions are the same.

- STEP 1)** Dig 8 holes 30" deep and approximately 15" diameter. **See figure 1.**
- STEP 2)** Assemble the four sections of the Tunnel Frame using proper hardware provided as shown in **figure 2A.**
- STEP 3)** Slide Ground Sleeves (**item E**) over the bottoms of each post.
- STEP 4)** Stand up one section of the Tunnel Frame into the center two holes (this will require 3 adults). Pour approximately 10" of concrete around Ground Sleeve; this will assist you while the Frame section is squared and leveled. Proceed filling the hole to ground level with concrete.
- STEP 5)** Repeat Step 4 with both end sections of the Frame. Double check your spacing between sections at this time. **IMPORTANT: Both end sections should be installed to lean outward slightly to a measurement of approximately 4" out of plumb at the top. Allow concrete to cure for 24 hours before proceeding to Cable Assembly.**

CABLE ASSEMBLY

- STEP 1)** Extend all six of the Turnbuckles (**item J**) to 75% of their total length. Attach 1 Turnbuckle to one end of each cable. **See figure 5.**
- STEP 2)** Now thread the open end of the Cables (**item H**) through the Eyes on the middle section of the frame.
- STEP 3)** Assemble the remaining 3 Turnbuckles to the open end of the Cables using Cable Clamps (**item I**) as shown in **figure 5.** Pull as much slack as possible out of the Cable leaving the Turnbuckles to remove the remaining slack.

NET INSTALLATION

- STEP 1)** Stretch out the net on the ground underneath the cables. Starting with the center cable and the center rope of the net, evenly space 15 Snap Links (**item K**) while attaching net to the cable. Use 15 Snap Links per cable to finish attaching net. **See figure 5.**
- STEP 2)** Use the nylon tie wraps (**item L**) between snap links to improve net sag. Do not tighten tie wraps completely. **See figure 5.**

MANUFACTURE STRONGLY RECOMMENDS THAT NETS ARE REMOVED FROM FRAME WHEN NOT USED FOR EXTENDED PERIODS OF TIME. ALSO DURING HIGH WINDS, ICE OR SNOW STORMS.

PARTS LIST

<u>ITEM</u>	<u>DESCRIPTION</u>	<u>QTY</u>
A	STRAIGHT POST (1 SWAGE)	16 EA.
B	STRAIGHT CROSSBAR (1 SWAGE)	4 EA.
C	STRAIGHT CROSSBAR (2 SWAGE)	4 EA.
D	CORNER ELBOWS (8)	1 SET
E	GROUND SLEEVES (8)	1 SET
F	EYE BOLTS	20 EA.
G	LOCKNUTS	20 EA.
H	CABLE 75'	3 EA.
I	CABLE CLAMP	12 EA.
J	TURN BUCKLE	6 EA.
K	SNAP LINK	45 EA.
L	NYLON TIE WRAPS	100 EA.