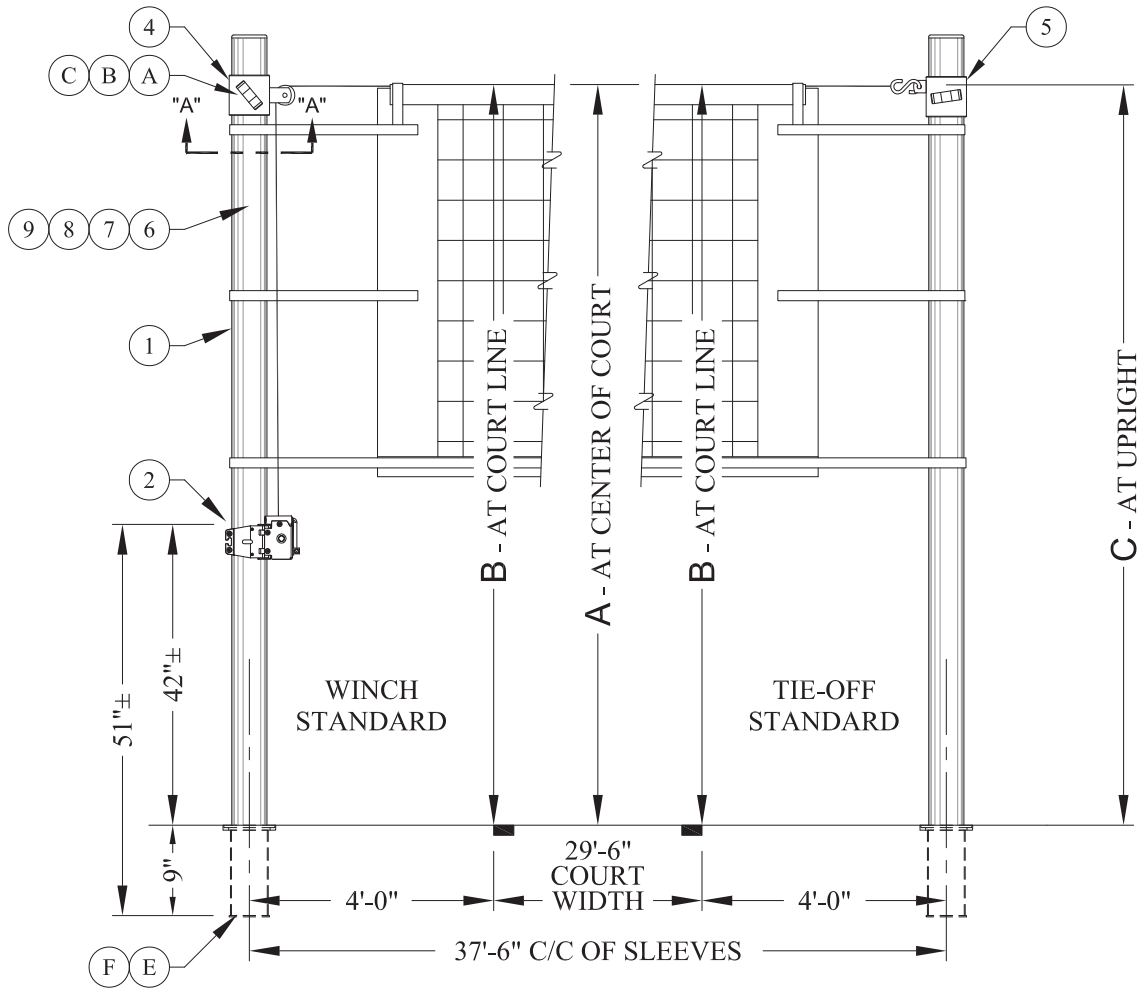


No. 1971 POWR-RIB II VOLLEYBALL END STANDARDS ASSEMBLY and INSTALLATION INSTRUCTIONS

PARTS LIST - No. 1971

No.	Qty.	DESCRIPTION	No.	Qty.	DESCRIPTION
1	2	UPRT 00296 000 UPRIGHT ASSEMBLY	6	2	LABL 00167 000 HEIGHT LABEL - 7' 11-5/8"
2	1	WINH 00099 UNIVERSAL WINCH	7	2	LABL 00168 000 HEIGHT LABEL - 7' 4-1/8"
3			8	2	LABL 00169 001 HEIGHT LABEL - 7'-0"
4	1	SLVE 00070 001 SLEEVE WITH PULLEY	9	2	LABL 00170 000 HEIGHT LABEL - BADMINTON
5	1	SLVE 00071 001 SLEEVE WITH NET TIE-OFF			



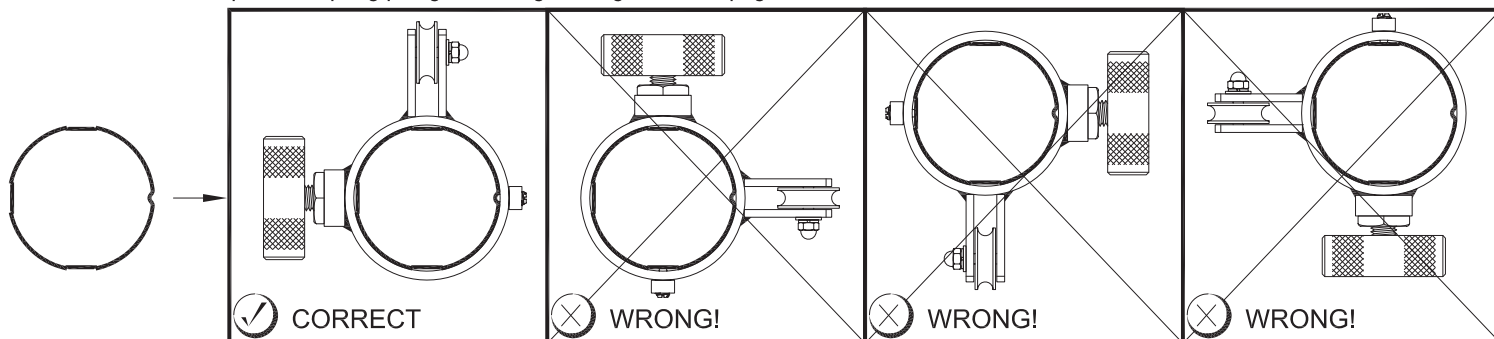
VOLLEYBALL NET HEIGHTS						
SCHOLASTIC LEVELS	GIRLS / WOMEN			BOYS / MEN		
	A	B	C	A	B	C
AGES 12 YEARS AND UNDER	7'-0"	7'-0 ³ / ₄ "	7'-1 ¹ / ₈ "	7'-0"	7'-0 ³ / ₄ "	7'-1 ¹ / ₈ "
GRADES 7 THRU 9 (MIDDLE SCHOOL)	7'-4 ¹ / ₈ "	7'-4 ⁷ / ₈ "	7'-5 ¹ / ₄ "	7'-4 ¹ / ₈ "	7'-4 ⁷ / ₈ "	7'-5 ¹ / ₄ "
GRADES 7 THRU 9 (Jr. HIGH SCHOOL)	7'-4 ¹ / ₈ "	7'-4 ⁷ / ₈ "	7'-5 ¹ / ₄ "	7'-11 ⁵ / ₈ "	8'-0 ³ / ₈ "	8'-0 ³ / ₄ "
GRADES 9 THRU COLLEGIATE	7'-4 ¹ / ₈ "	7'-4 ⁷ / ₈ "	7'-5 ¹ / ₄ "	7'-11 ⁵ / ₈ "	8'-0 ³ / ₈ "	8'-0 ³ / ₄ "

IMPORTANT NOTE - Check net height settings at both court lines to ensure that net is level before applying net height labels on inside upright assembly.

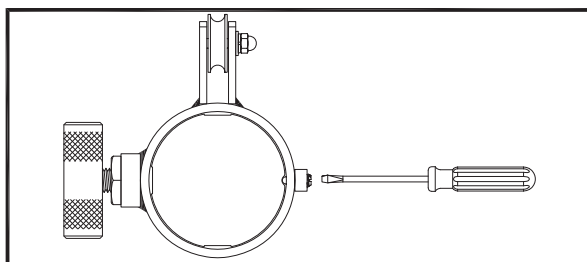
CAUTION - Net height dimensions given allow for maximum allowable net sag. Overtightening of the net could cause possible equipment damage or failure, and void all warranties.

1. Unpack all parts and check against parts list to ensure that all have been included. **Tools required** - tape measure, slotted screwdriver.

2. Assemble sleeve with pulley (4) to top of one upright assembly (1) as shown on Page 1. Upright has 3 flat sides and 1 grooved side, be sure that ball tip on the spring plunger is riding in the groove on upright.

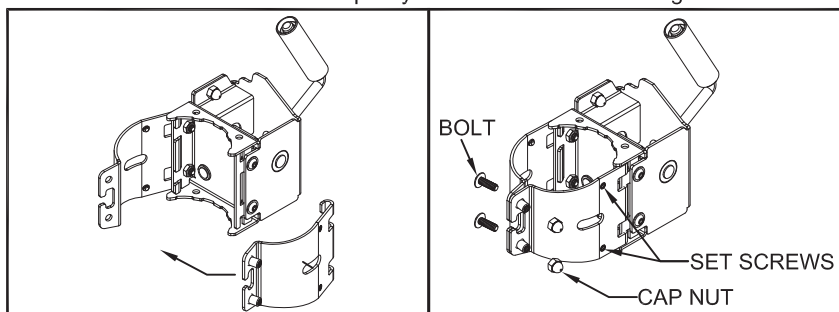


3. Adjust the spring plunger (C) with a slotted screwdriver so that ball tip almost bottoms out in groove on upright. Do not adjust the spring plunger too tight against the upright, as it may be difficult to slide the sleeve up and down for net height adjustment. Tighten pressure lock assembly (A) slightly to prevent sliding of the sleeve.



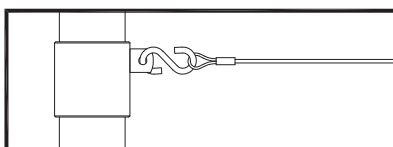
4. Assemble sleeve with net tie-off (5) onto other upright assembly (1) in the same manner as the sleeve with pulley (4) in Step 2. Upright has 3 flat sides and 1 grooved side, be sure that ball tip on the spring plunger is riding in the groove on upright.

5. Attach winch (2) onto same upright assembly (1) that has the sleeve with pulley (4). Locate top of winch about 51" from bottom of upright, in line with pulley sheave, with winch handle on the same side as pulley sheave. See detail on Page 1.

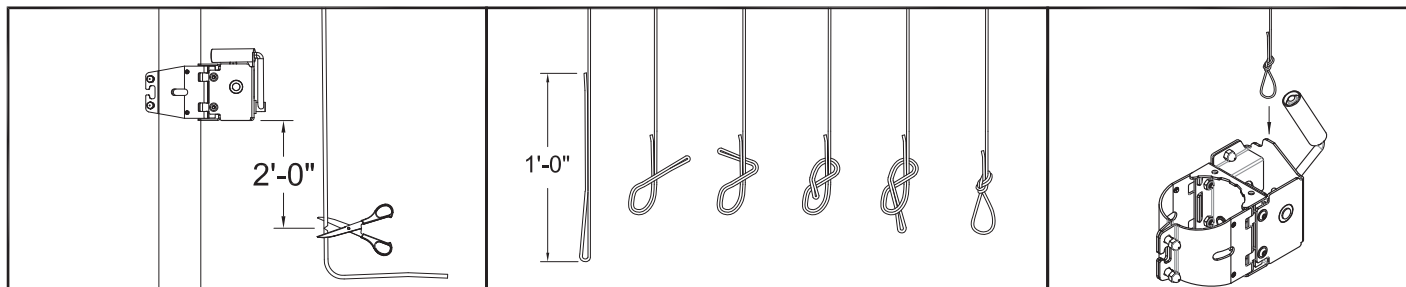


6. Place assembled standards in floor sleeves. Rotate standards until winch and tie-off sleeve are oriented as shown in the detail on Page 1.

7. Attach the factory finished loop of the net to the "S" hook on the tie off collar

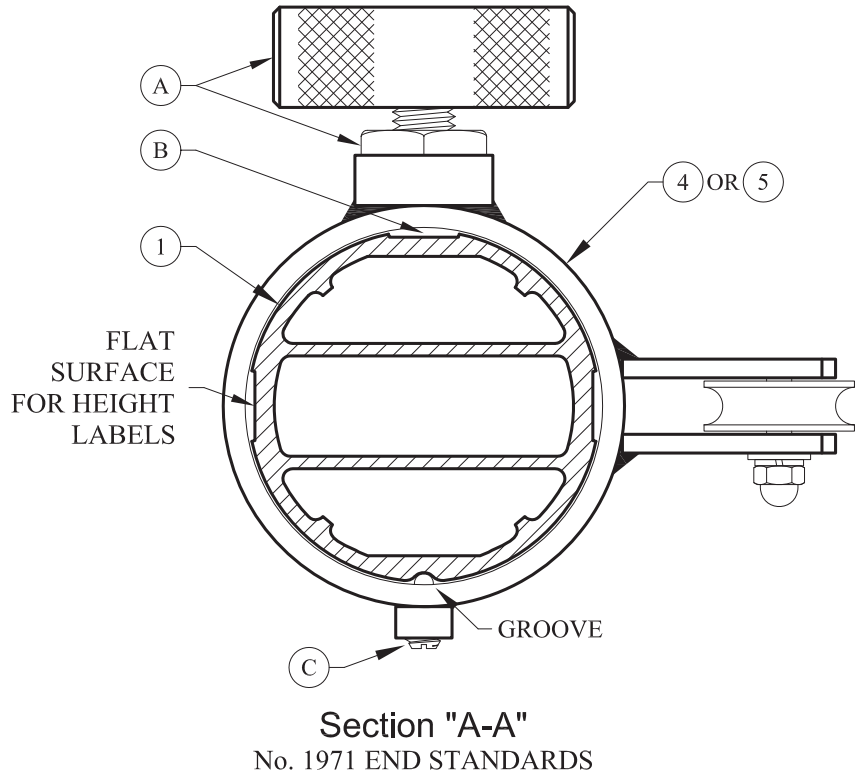
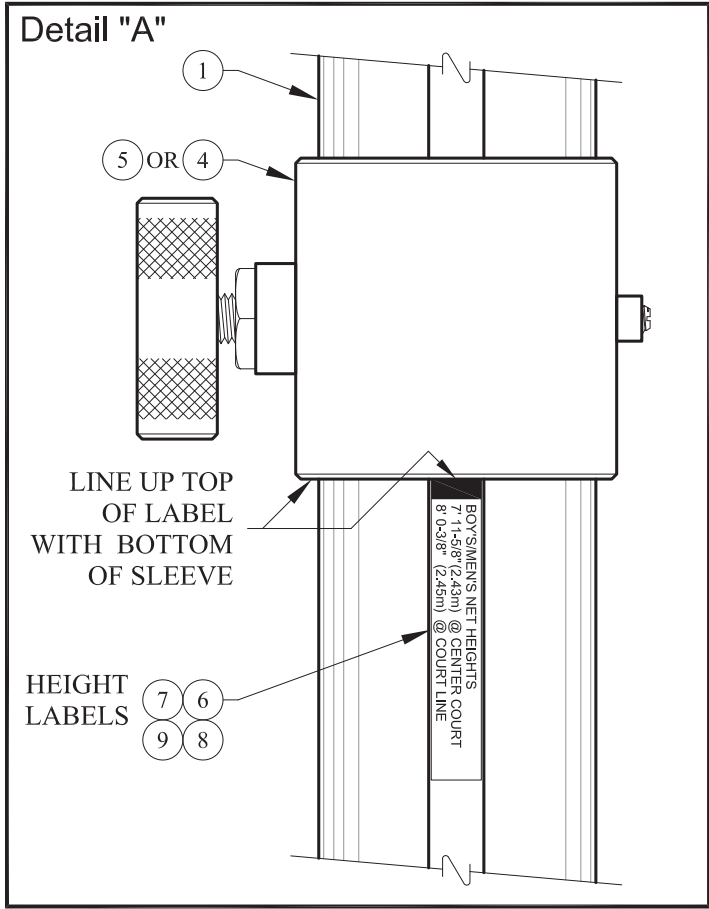


8. Feed the unfinished end over and through the pulley, finish attaching the net using instructions provided in the net box



9. Adjust net to desired height by loosening pressure-locking T-handles on sleeve with pulley (4), and sleeve with net tie-off (5). Slide sleeves (4 and 5) up or down to desired net height, then re-tighten T-handles. See net height chart on page 1. Net height is measured at center of court. Note that a maximum of 3/4" net sag is allowed - net height can be 3/4" higher at court lines than at center of court. After proper net height is obtained, place appropriate height label onto flat surface on upright assembly (1). Repeat above for all remaining net height settings.

REPLACEMENT PARTS LIST - No. 1971		
Item	DESCRIPTION	
A	HAND 00066 010	PRESSURE-LOCK ASSEMBLY
B	MISC 00147 000	PLASTIC BRAKE PAD FOR PRESSURE-LOCK ASSEMBLY
C	HDWE 58085 000	SPRING PLUNGER
D		
E	ECAP 00022 102	MOLDED END CAP
F	HDWE 06100 0E0	#8 x 3/4" Lg. FLAT HEAD SHEET METAL SCREW



CAUTION

- Do not over tighten the volleyball net, as damage to uprights may result and void all written or implied warranties.
- Cable tension must be released before adjusting net height. Failure to do so may cause damage to the equipment, or cause personal injury.

WARNING


- Serious injuries, including permanent paralysis, can occur in volleyball. Such can be caused by falls on the head, neck and other parts of the body, or by running into unpadded volleyball standards. Approved upright padding is mandatory.
- While it cannot be eliminated, the risk of injuries can be greatly reduced by following proper safety guidelines and providing proper maintenance and safety inspections.

GENERAL MAINTENANCE

- Inspect this equipment for wear, loose fittings, damage and proper stability before each use. Replace defective or worn parts immediately. If in doubt, do not use this equipment until repaired. Check pressure-lock assembly for wear and to ensure it is functioning properly.
- Lubricate threaded studs on pressure-lock assembly and tension winch periodically (at least twice a year) to minimize wear and to ensure proper operation.

STORAGE

- Under no circumstances should volleyball standards be stored leaning against a wall or other rigid objects.
- Lay posts down unless they can be securely fastened to a stable object or properly positioned in a storage rack specifically designed for volleyball standards.

 **WARNING:** This product can expose you to Vinyl Chloride, which is known to the State of California to cause cancer. For more information go to www.p65warnings.ca.gov.

porter[®]

PORTER ATHLETIC, INC.
601 MERCURY DRIVE, CHAMPAIGN, ILLINOIS 61822 USA
PHONE (888) 277-7778
FAX (217) 239-2255
www.porterathletic.com