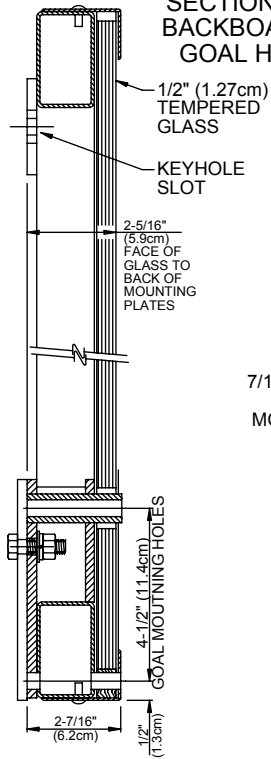


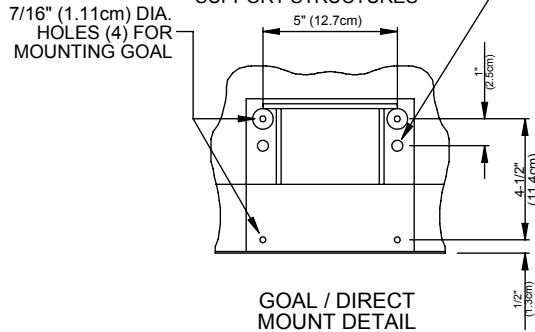
00204000 - RECTANGULAR GLASS BACKBOARD

GLASS WITH ALUMINUM-FACED STEEL FRAME UNIT
 BACKBOARD MEETS ALL NCAA, NFHA, AND PROFESSIONAL REQUIREMENTS

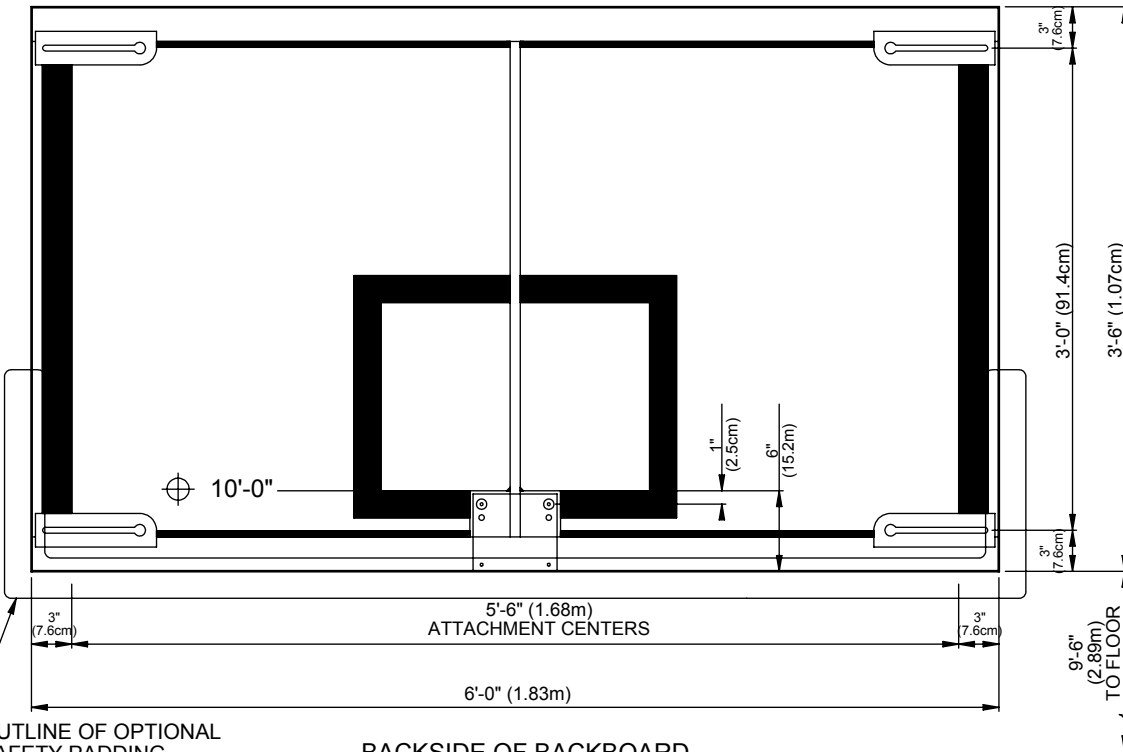
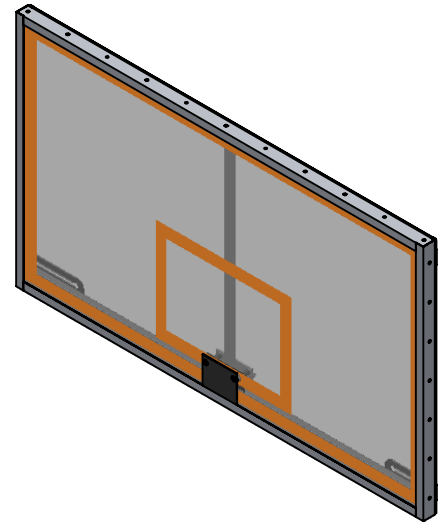
SECTION THRU BACKBOARD AT GOAL HOLES



FLUSH PLATE WITH TWO 3/8" BOLTS FOR MOUNTING BACKBOARD TO CENTER-STRUT TYPE SUPPORT STRUCTURES



GOAL / DIRECT MOUNT DETAIL



OUTLINE OF OPTIONAL SAFETY PADDING

BACKSIDE OF BACKBOARD

- 00204000 GLASS WITH ALUMINUM-FACED STEEL FRAME UNIT
 - 002040L1 204 WITH FACTORY INSTALLED LED LIGHTS (SEE B-821L1)
 - 002040L2 204 WITH FACTORY INSTALLED LED SYNCHRONIZER (SEE B-821L1)
- SEE B-200 FOR GOAL AND PADDING OPTIONS

00204000 - RECTANGULAR GLASS BACKBOARD

GLASS WITH ALUMINUM-FACED STEEL FRAME UNIT
BACKBOARD MEETS ALL NCAA, NFHA, AND PROFESSIONAL REQUIREMENTS

SPECIFICATIONS

Backboard shall be 3'-6" x 6'-0" to meet all NCAA, NFHS and professional requirements.

Backboard frame shall be of a welded, unitized construction fabricated from heavy wall rectangular steel tubing, aluminum-faced for professional appearance. Unitized frame shall include a vertical center strut with a unique spacer sleeve arrangement at the upper two goal mount hole locations to transmit undue loading during slam-dunks, etc. directly through the glass and into the rear frame.

Unitized frame shall be designed to allow the bottom two goal mount holes to pass beneath the glass section to further alleviate stress on the glass. Backside of goal mount structure is provided with two tapped holes (3/8-16) to independently secure backboard to an optional direct mount goal feature which relieves all stress and shock on the backboard frame conforming to the latest NCAA Rules. Backboard frame shall be furnished with heavy steel gusset plates in each corner incorporating keyhole slots for mounting the backboard to support structures at standard mounting centers. Rear backboard frame shall be finished in a durable neutral gray powder coated finish.

Glass shall be provided in 1/2" thick, fully tempered (heat-treated) glass section with uniform load and impact strength. Official white border and target area is "fired in" permanently on front side of glass section so that it cannot wear away. Glass section shall be secured to unitized rear frame by means of an attractive, L-shaped brushed aluminum extrusion for optimum durability. Front perimeter frame shall be secured to unitized rear frame with structural truss head rivets. Glass section shall be fitted with shock absorbing neoprene material to cushion and protect the glass section. Goal mounting holes (4) to be on standard 5" (horizontal) x 4-1/2" (vertical) mounting centers (see B-200 for goal options).

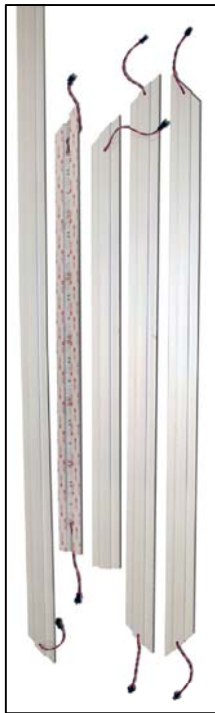
Backboard not recommended for outdoor use.

WARRANTY

- 204 backboards protected by a limited lifetime warranty when installed on Porter Center-Strut® support systems.

OPTIONAL ITEMS (SEE SPECIFICATION SHEETS FOR DETAIL)

- Padding (see B-200)
- 821204 LED Light Set for 204 Board (not installed in factory)
- 8212081 LED Synchronizer (not installed in factory)



No. 821208 LED Perimeter Lighting Segments

PERIMETER LED LIGHT SYSTEM *

FOR USE WITH PORTER No. 8212081 LED Synchronizer

- **821208** PERIMETER LED LIGHT SYSTEM (PER BANK)
5 pieces: 1 - 66" long top piece, 2 - 36" side pieces, 2 - 28" bottom pieces



No. 8212081 LED Perimeter Lighting Synchronizer (not included)

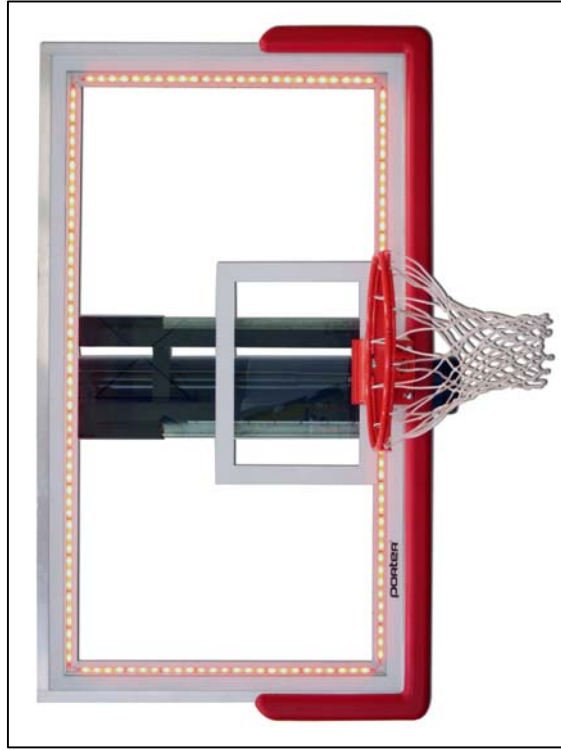
* Perimeter LED Light Systems require an LED Perimeter Lighting Synchronizer to connect to shot clocks and scoreboards. See Page No. **B-8212081**.

- **8212082** PERIMETER LED LIGHT SYSTEM 821208 (PER BANK) and 1 SYNCHRONIZER 8212081
5 pieces: 1 - 66" long top piece, 2 - 36" side pieces, 2 - 28" bottom pieces



On Porter No. 00208-000 Glass Backboards, The LED Segments Will Be Located Just Inside The Perimeter Striping On The Glass

Industrial strength 3m adhesive tape holds LEDs to the back side of glass.



No. 00208-0L1 Backboard with factory installed red LED perimeter lighting

PORTER GLASS BACKBOARDS *

WITH FACTORY-INSTALLED PERIMETER LED LIGHT SYSTEM. SHOT CLOCK PURCHASED SEPARATELY.

- **00208-0L1** 3'-6" x 6'-0" CENTER-STRUT® GLASS BACKBOARD (No. 00208-000) With factory installed LED Perimeter Lights
- **00208-0L2** 3'-6" x 6'-0" CENTER-STRUT® GLASS BACKBOARD (No. 00208-000) With factory installed LED Perimeter Lights and 1 synchronizer

SPECIFICATIONS

PORTER No. 821208 PERIMETER LED LIGHT SYSTEMS

PORTER No. 821208 PERIMETER LED LIGHT SYSTEM For use on Porter No. 00208-000 Glass Backboard

Perimeter LED Light Systems shall mount on the backside of the backboard to comply with the latest NCAA and FIBA recommendations. LED System shall be neatly contained within a custom aluminum extrusion, and mounted directly inside the perimeter backboard markings, to provide a clean, uncluttered appearance to the system.

Each Perimeter LED Light System shall consist of individual LED segments for the top, sides and bottom of the backboard. Each LED segment shall incorporate a mounting flange with industrial strength 3M tape, for securing to the backside of the glass. Each LED segment shall incorporate positive-lock connectors (male at one end, female at the opposite end). LED segments are connected end-to-end to form a continuous loop around the backboard.

The Perimeter LED Light System is intended to operate with shot clocks or scoreboards via a Porter Model No. 8212081 LED Perimeter Lighting Synchronizer. The Synchronizer connects the LEDs to a power supply and the shot clock or scoreboard buzzer which serves as on/off switch.

PORTER GLASS BACKBOARDS WITH FACTORY-INSTALLED PERIMETER LED LIGHT SYSTEMS

PORTER No. 00208-0L1 3'-6" x 6'-0" CENTER-STRUT® GLASS BACKBOARD (No. 00208-000)

Specifications on the Perimeter LED Light System are the same as above. Backboard is furnished complete with factory-installed Perimeter LED Light System mounted on the backside of the backboard to comply with the latest NCAA and FIBA recommendations.

PORTER No. 00208-0L2 3'-6" x 6'-0" CENTER-STRUT® GLASS BACKBOARD (No. 00208-000) and one LED PERIMETER LIGHTING SYNCHRONIZER (No. 8212081)

Specifications on the Perimeter LED Light System are the same as above. Backboard is furnished complete with factory-installed Perimeter LED Light System mounted on the backside of the backboard to comply with the latest NCAA and FIBA recommendations. Also included with this set is an 8212081 LED Lighting Synchronizer to be installed by the customer to all local electrical codes. See pg B-8212081 for specifications.