

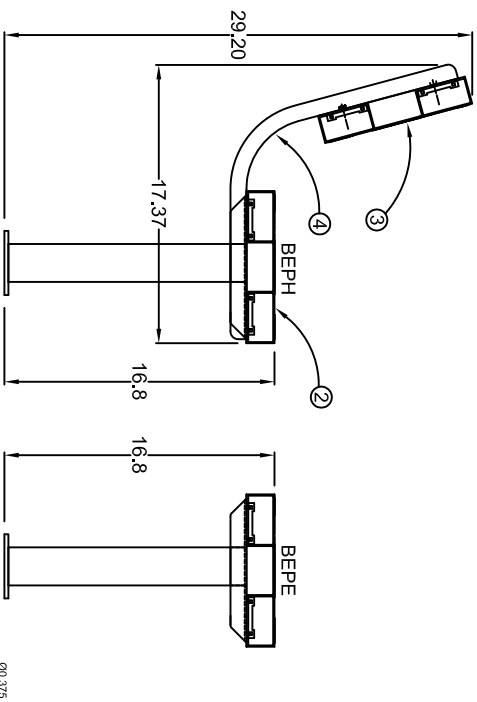
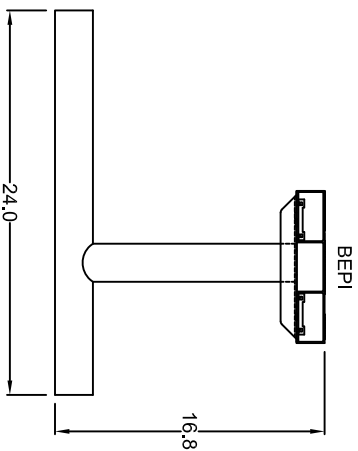
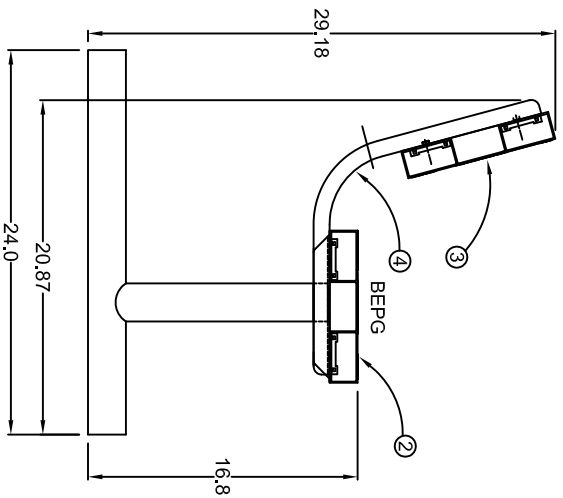
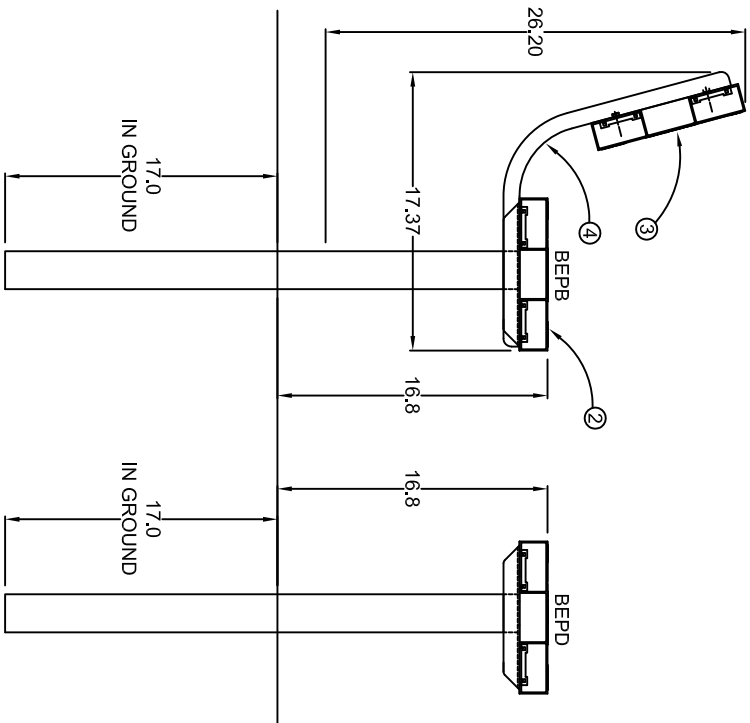
PRODUCT DESCRIPTION

- 1) Vertical rise from ground level to seat is 16.8".
- 2) Framework is prefabricated steel tubing. Frames are spaced at approximately 6 foot intervals.
- 3) Seats are nominal 2" x 10" clear anodized aluminum planks, with 2" x 10" poly end caps.
- 4) Back rests are nominal 2" x 10" clear anodized aluminum planks, with 2" x 10" poly end caps.

MATERIALS / FINISHES

- 1) Framework is structurally fabricated with 2.375" O.D. x .109" wall thickness, steel tube, galvanized after fabrication.
- 2) Source of Quality Control - Mill Test Certification.
- 3) Seat Planks are extruded aluminum alloy 6063-T6 with a standard wall thickness of .078", standard leg height of 1.75" fluted non-skid surface. Standard finish to be clear anodized. Design load = 120 lbs. per lineal foot. Source of Quality Control - Mill Test Certification.
- 4) Back rest planks are extruded aluminum alloy 6063-T6 with a standard wall thickness of .078", standard leg height of 1.75" fluted non-skid surface. Standard finish to be clear anodized. Source of Quality Control - Mill Test Certification.
- 5) Bench Back Frame is Formed Steel Channel with .180 wall thickness. Standard finish to be hot dip galvanized after fabrication.
- 6) Source of Quality Control - Mill Test Certification.

Design load = 120 lbs. per lineal foot.



TOLERANCE		BSN SPORTS	
.X = ±.030	DRAWN	Z. OSORIO	3/10
.XX = ±.010	CHECKED		
.XXX = ±.005	APPROVED		
FRACTIONAL = ± 1/32	TITLE		
UNLESS OTHERWISE NOTED	PLAYERS BENCH		
REV B	DATE 5/17	SCALE: NTS	NUMBER BEPB, BEPD, BEPG, BEPI, BEPH, BEPE
1901 Diplomat Drive Farmers Branch, Texas 75234			