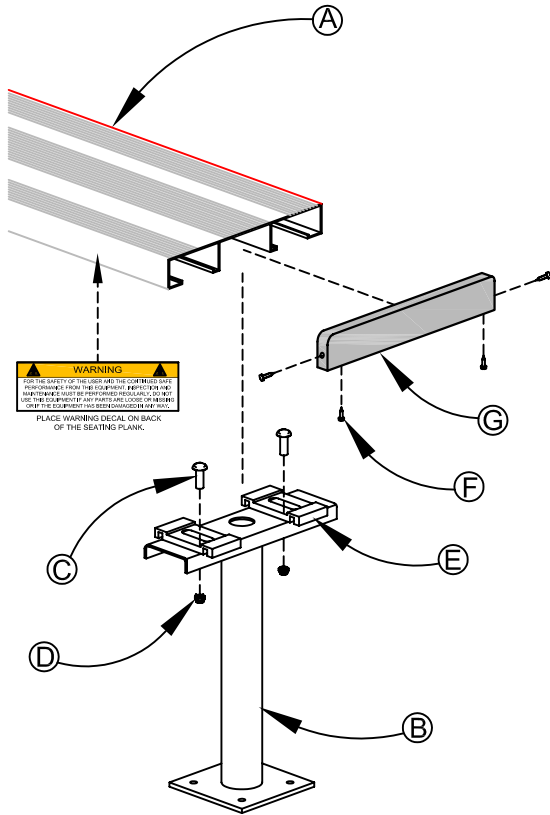
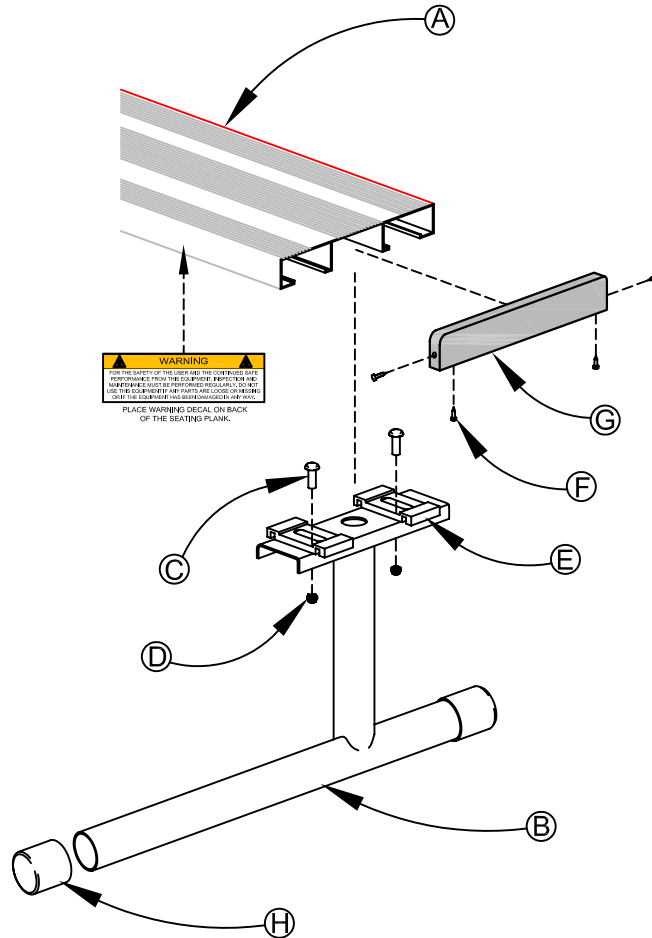


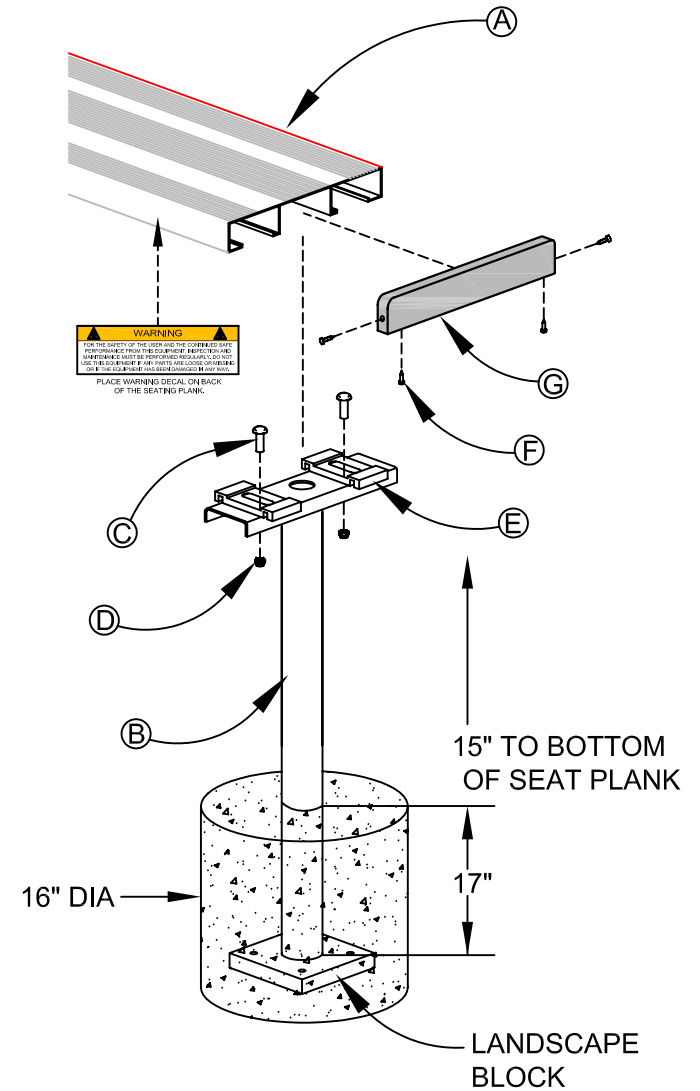
SURFACE-MOUNT PLAYER BENCH w/o BACK



PORTABLE PLAYER BENCH w/o BACK

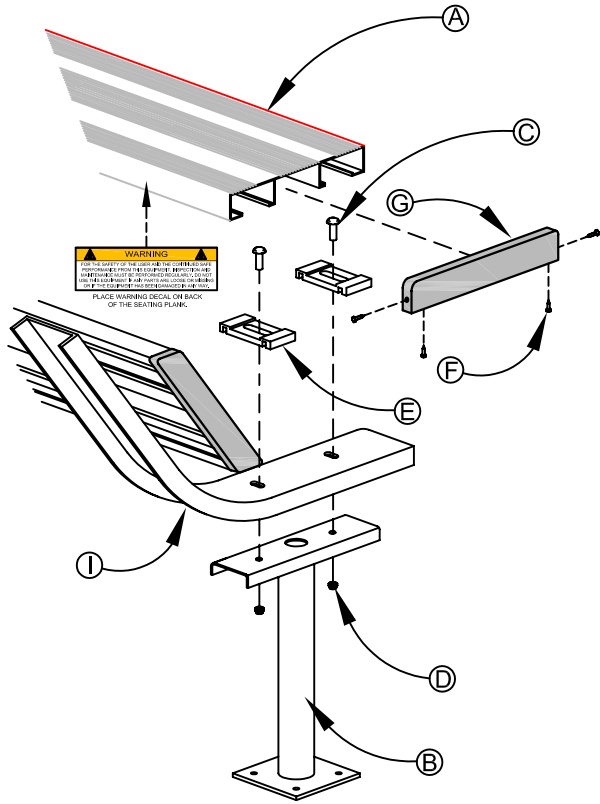


PERMANENT PLAYER BENCH w/o BACK

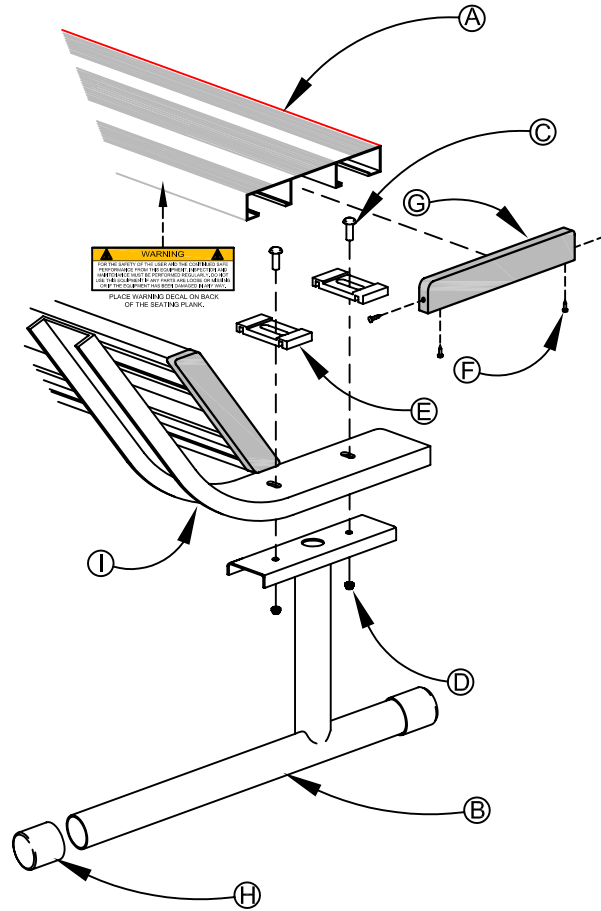


ITEM	DESCRIPTION	ITEM	DESCRIPTION
A	SEAT PLANK	E	BOLT CLIP
B	BENCH LEGS	F	PAN HEAD TEK SCREW #8 X .75
C	CARRIAGE BOLT .312 X 1.25	G	END CAP
D	LOCKING FLANGE NUT .312	H	RUBBER CAP (SELECT MODELS)

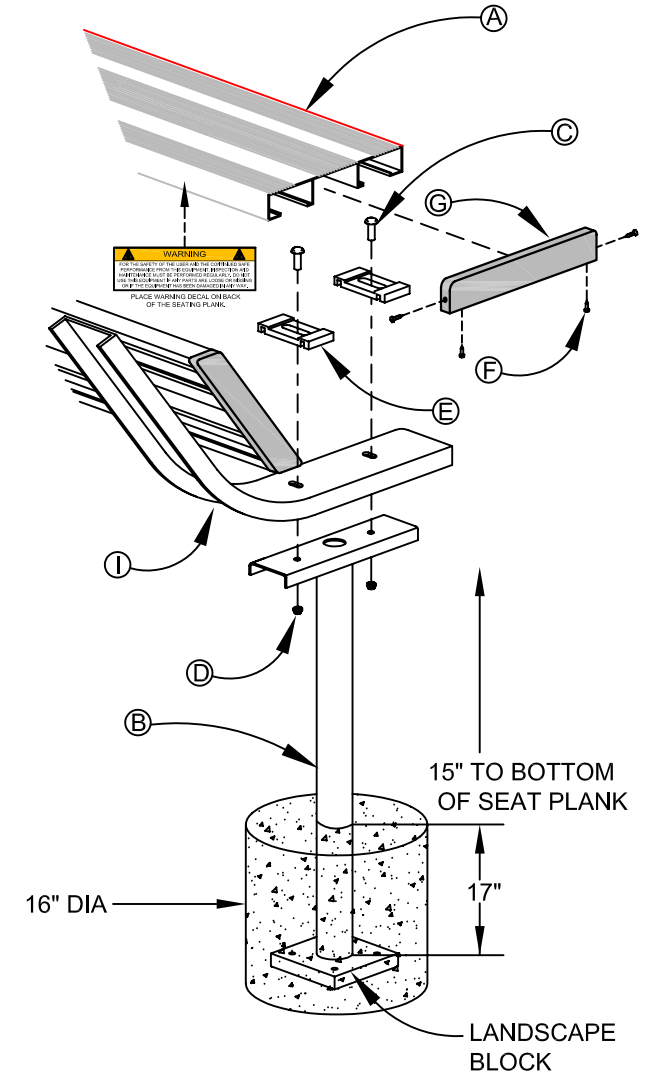
SURFACE-MOUNT PLAYER BENCH w/BACK



PORTABLE PLAYER BENCH w/ BACK



PERMANENT PLAYER BENCH w/BACK



ITEM	DESCRIPTION	ITEM	DESCRIPTION
A	SEAT PLANK	F	PAN HEAD TEK SCREW #8 X .75
B	BENCH LEGS	G	END CAP
C	CARRIAGE BOLT .312 X 1.25	H	RUBBER CAP (SELECT MODELS)
D	LOCKING FLANGE NUT .312	I	BACK SUPPORT (SELECT MODELS)
E	BOLT CLIP		

LEG SPACING DETAIL FOR ALL MODELS

CAUTION
 LEG SPACING IS CRITICAL
 TO THE BALANCE OF THE BENCH
 WHICH PREVENTS TIPPING.

THIS WARNING IS GIVEN IN COMPLIANCE
 WITH CALIFORNIA PROPOSITION 65:
WARNING
 This product may contain chemicals known to the
 State of California to cause cancer, birth defects
 or other reproductive harm.

