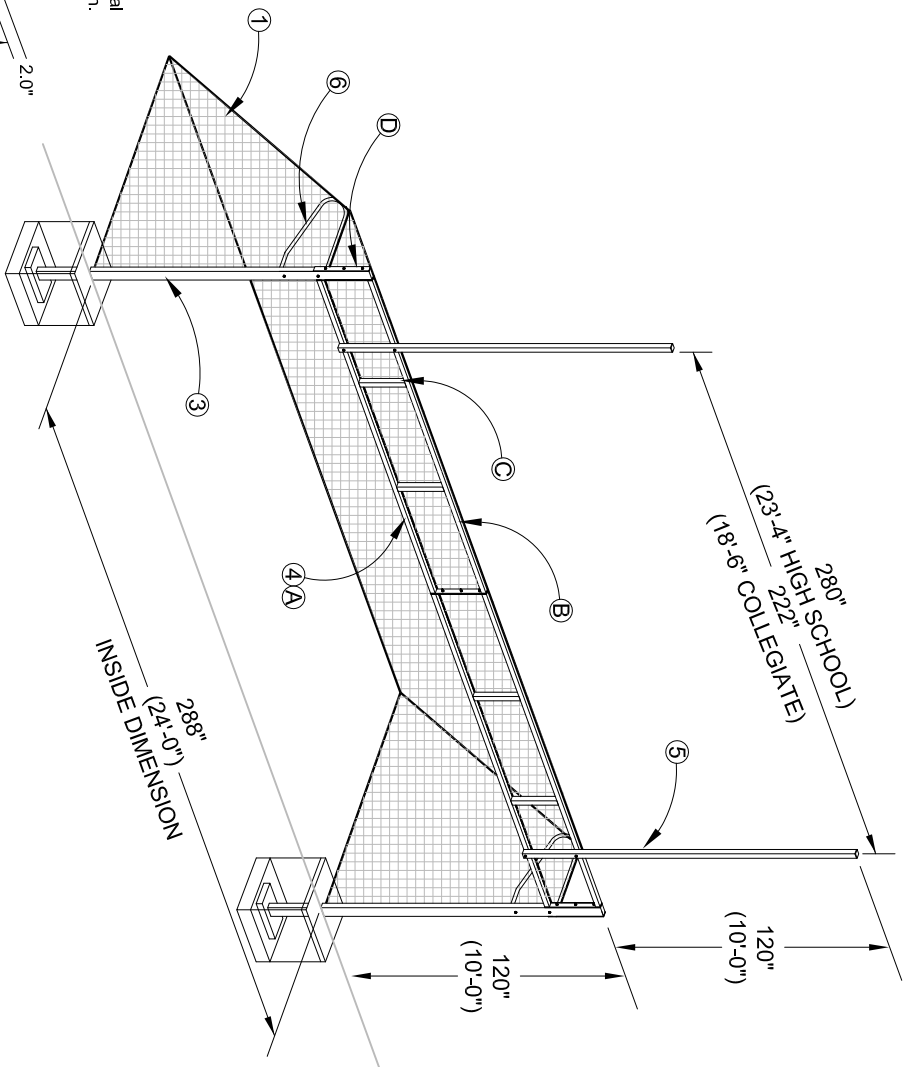
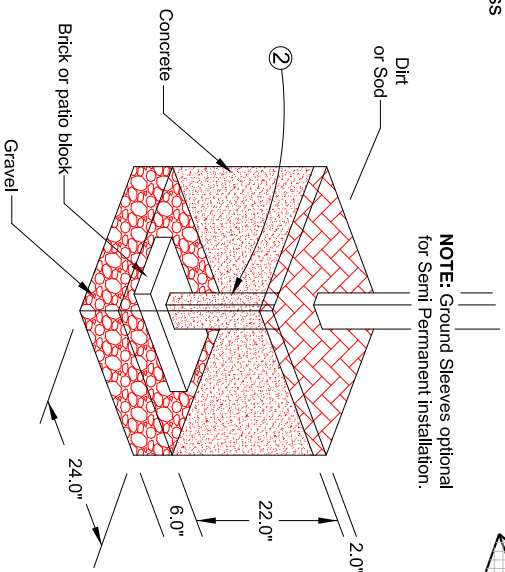


**COMBINATION SOCCER / FOOTBALL GOAL SPECIFICATIONS**

**PRODUCT DESCRIPTION / MATERIALS / FINISHES**

- 1) **NET -**  
Constructed of 3mm twisted, knotted Polyethylene - 4" white mesh.  
8' H x 24' W x 3' D at top x 8.5' D at bottom.
- 2) **GROUND SLEEVES (OPTIONAL) -**  
Constructed of prefabricated steel tubing 2.187" x 4.187" x .119" wall thickness x 24" L with removable cap. Hot Dip Galvanized.
- 3) **SOCCER UPRIGHTS -**  
Constructed of prefabricated rectangular Pre-galvanized steel tubing 2" x 4" x .118" wall thickness x 144" L. Powder coated outdoor white after fabrication.
- 4) **SOCCER CROSSBAR -**  
Constructed with prefabricated steel tubing. Galvanized under coat with white powder top coat after fabrication.  
A) 2" x 4" x .078" wall thickness x 143.5" L  
B) 2" x 2" x .067" wall thickness x 143.5" L  
C) 2" x 2" x .067" wall thickness x 18.0" L  
D) 2.0" x .312" steel flat bar
- 5) **FOOTBALL UPRIGHTS -**  
Constructed of aluminum tube 2.0" x 2.0" x .125" wall x 144" L 6061-T6. Powder coated outdoor white after fabrication.
- 6) **SOCCER NET BACKSTAY -**  
Constructed with prefabricated steel tubing. Galvanized under coat with white powder top coat after fabrication.  
E) 1.5" diameter x .078" wall thickness  
F) .25" x 2.0" flat stock steel
- 7) **HARDWARE -**  
Grade - 5 Zinc Plated



TOLERANCE		BSN SPORTS	
.X = ±.030	.XX = ±.010	1901 Diplomat Drive	
.XXX = ±.005	Farmers Branch, Texas 75234		
FRACTIONAL = ± 1/32		DRAWN Z. OSORIO	
UNLESS OTHERWISE NOTED		CHECKED	
REV	DATE	APPROVED	
REF		TITLE	
		COMBINATION SOCCER/FOOTBALL GOAL	
		SCALE: NTS	NUMBER: SGFBCOM