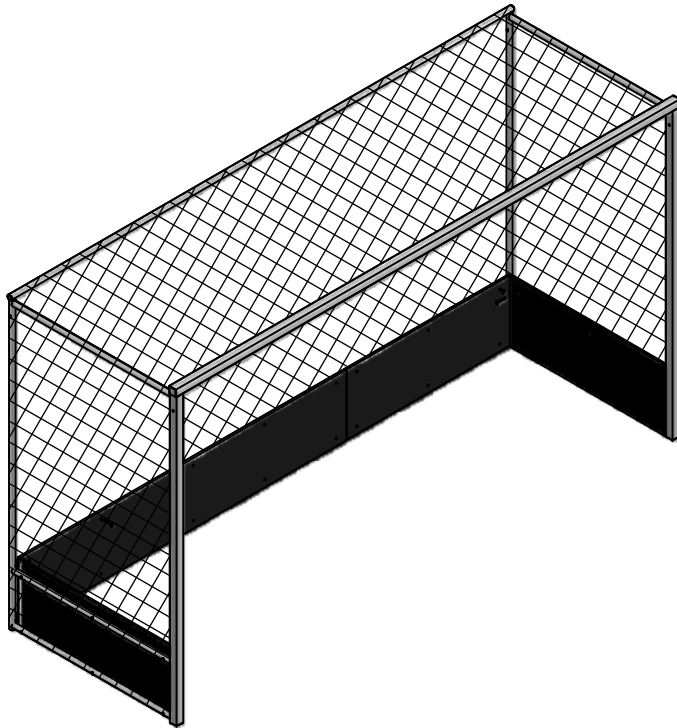


OFFICIAL FIELD HOCKEY GOAL

OFHG-7124

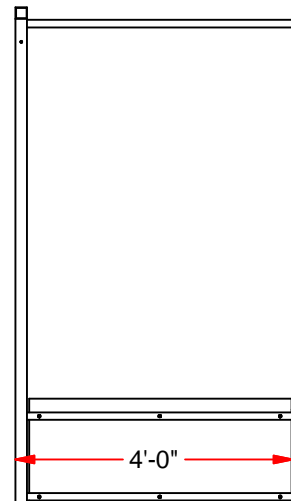
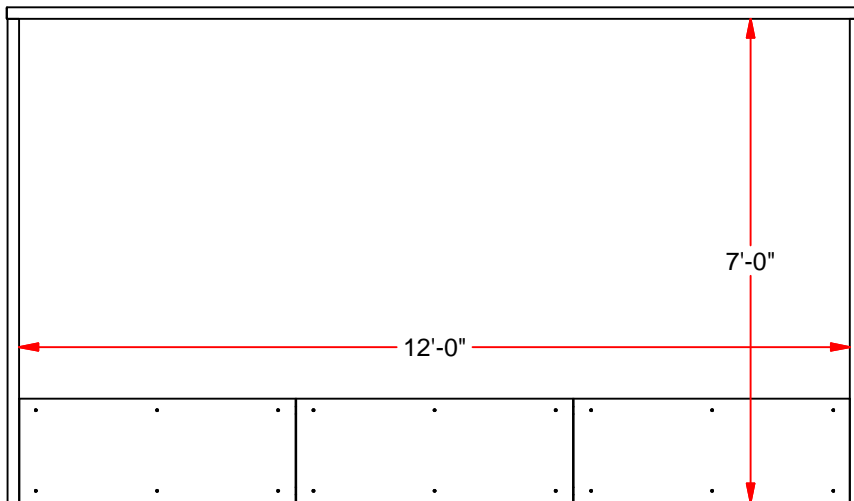



IMPORTANT NOTICE:

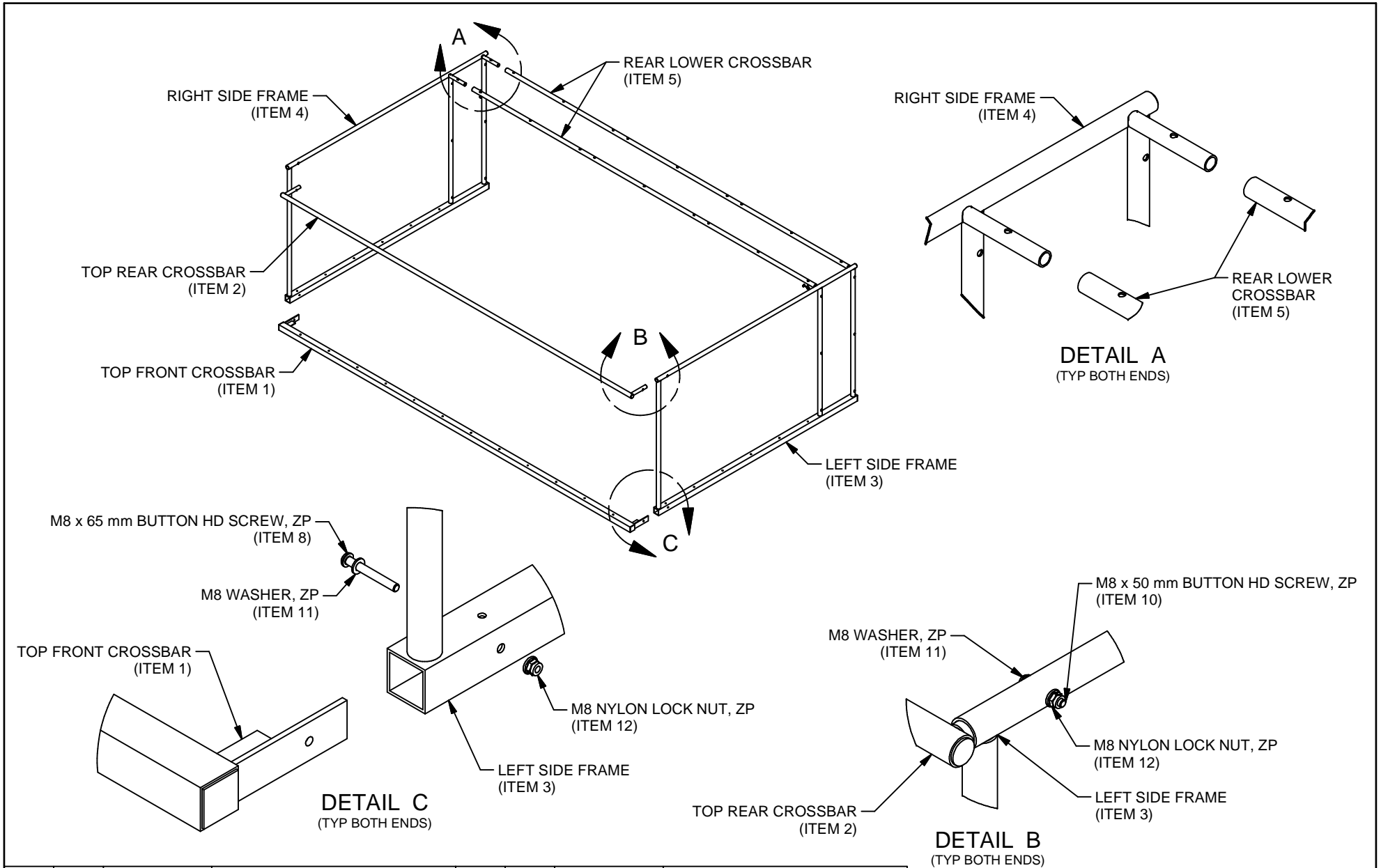
- 1) BEFORE EACH USE CHECK EQUIPMENT FOR PROPER CONNECTING HARDWARE AND STRUCTURAL INTEGRITY. REPLACE DAMAGED OR MISSING HARDWARE IMMEDIATELY.
- 2) USE OF THIS EQUIPMENT OTHER THAN INTENDED, MAY BE HAZARDOUS.
- 3) ALTERATION OR MODIFICATION OF THIS EQUIPMENT MAY BE HAZARDOUS AND RESULT IN INJURY. FOR REPAIR OR REPLACEMENT, CONTACT YOUR DEALER OR JAYPRO SPORTS.

TOOLS REQUIRED:


- (1) 5 mm Allen Wrench
- (1) 13 mm Closed End Wrench or Socket
- (1) Rubber mallet



 976 Hartford Turnpike Waterford, CT 06385 USA (800)243-0533 Fax: (800)988-3363 www.jaypro.com	MODEL NUMBER: OFHG-7124	CHECKED BY: WVB
	PRODUCT NAME: OFFICIAL FIELD HOCKEY GOAL ASSEMBLY INSTRUCTION PACKAGE	
	EFFECTIVE DATE: 3/22/2010	DRAWN BY: Moune T.



8	2	BOLT-A	M8 x 65 mm BUTTON HD SCREW, ZP	1	1	FHG-60-J1	TOP FRONT CROSSBAR
9	30	BOLT-E	M8 x 60 mm BUTTON HD SCREW, ZP	2	1	FHG-60-2	TOP REAR CROSSBAR
10	2	BOLT-C	M8 x 50 mm BUTTON HD SCREW, ZP	3	1	FHG-60-3	LEFT SIDE FRAME
11	4	WASHER-A	M8 WASHER, ZP	4	1	FHG-60-4	RIGHT SIDE FRAME
12	34	NUT-A	M8 NYLON LOCK NUT, ZP	5	2	FHG-60-5	REAR LOWER CROSSBAR
13	1	SNT-180	NET CLIP KIT	6	3	FHG-16-1	REAR FOOT BOARD x 48" LONG
14	1	FHND-8	7' x 12' x 4' WEATHERPROOF NET	7	2	FHG-16-2	SIDE FOOT BOARD x 45 1/2" LONG
ITEM	QTY	PART NUMBER	DESCRIPTION	ITEM	QTY	PART NUMBER	DESCRIPTION



976 Hartford Turnpike
Waterford, CT 06385 USA
(800)243-0533 Fax: (800)988-3363
www.jaypro.com

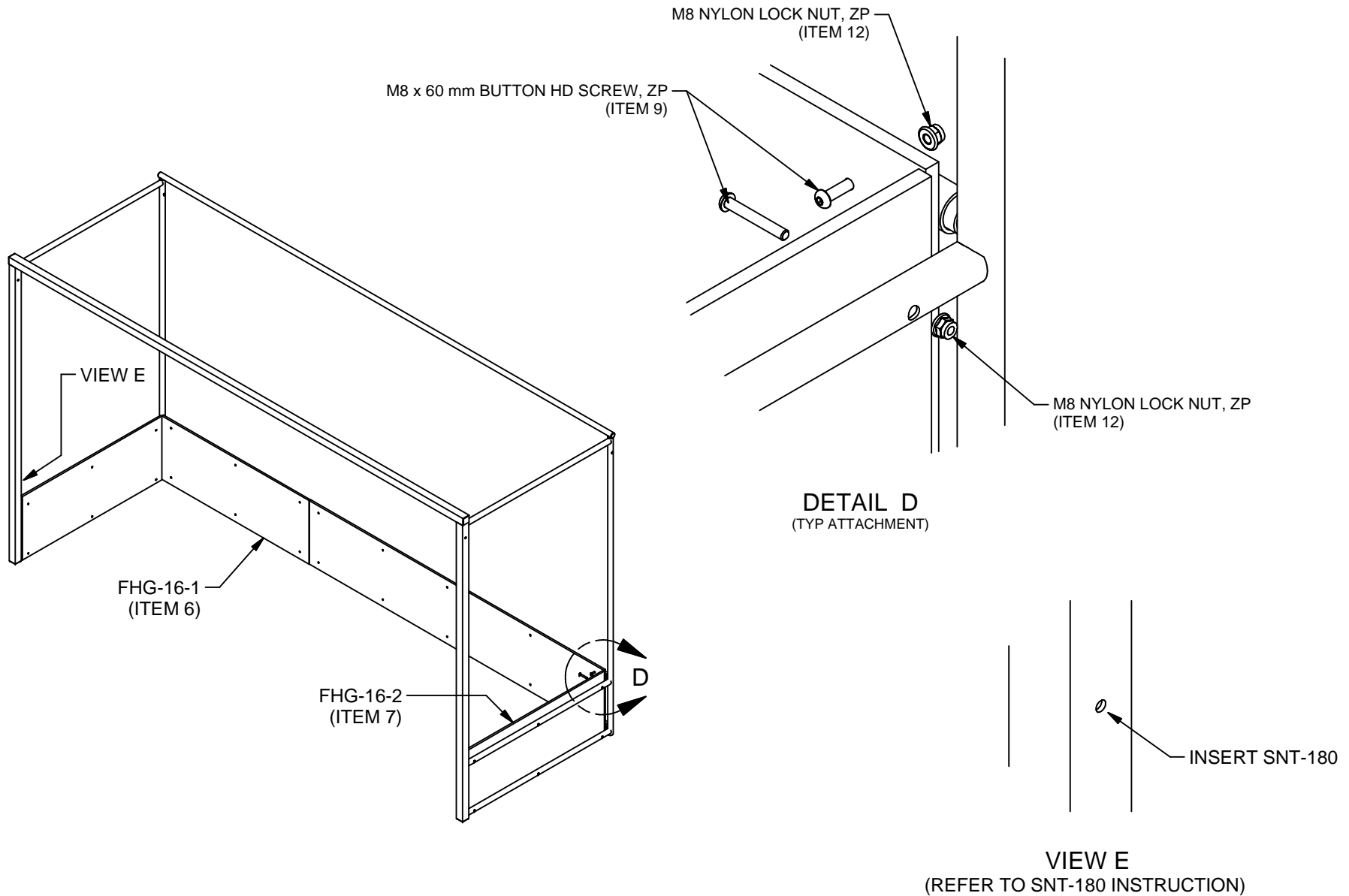
MODEL NUMBER:
OFHG-7124

CHECKED BY:
WVB

PRODUCT NAME:
**OFFICIAL FIELD HOCKEY GOAL
ASSEMBLY INSTRUCTION PACKAGE**

EFFECTIVE DATE:
3/22/2010

DRAWN BY:
Moune T.



VIEW E
(REFER TO SNT-180 INSTRUCTION)

8	2	BOLT-A	M8 x 65 mm BUTTON HD SCREW, ZP	1	1	FHG-60-J1	TOP FRONT CROSSBAR
9	30	BOLT-E	M8 x 60 mm BUTTON HD SCREW, ZP	2	1	FHG-60-2	TOP REAR CROSSBAR
10	2	BOLT-C	M8 x 50 mm BUTTON HD SCREW, ZP	3	1	FHG-60-3	LEFT SIDE FRAME
11	4	WASHER-A	M8 WASHER, ZP	4	1	FHG-60-4	RIGHT SIDE FRAME
12	34	NUT-A	M8 NYLON LOCK NUT, ZP	5	2	FHG-60-5	REAR LOWER CROSSBAR
13	1	SNT-180	NET CLIP KIT	6	3	FHG-16-1	REAR FOOT BOARD x 48" LONG
14	1	FHND-8	7' x 12' x 4' WEATHERPROOF NET	7	2	FHG-16-2	SIDE FOOT BOARD x 45 1/2" LONG
ITEM	QTY	PART NUMBER	DESCRIPTION	ITEM	QTY	PART NUMBER	DESCRIPTION



MODEL NUMBER: OFHG-7124	CHECKED BY: WVB
PRODUCT NAME: OFFICIAL FIELD HOCKEY GOAL ASSEMBLY INSTRUCTION PACKAGE	
EFFECTIVE DATE: 3/22/2010	DRAWN BY: Moune T.