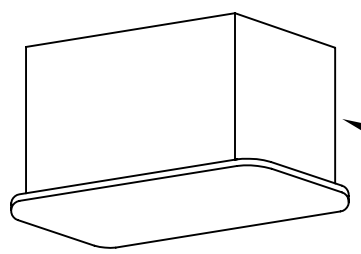


SEE 1308082 - 2



SEE 1308082 - 1

TOLERANCE  
 .X = ±.030  
 .XX = ±.010  
 .XXX = ±.005  
 FRACTIONAL = ± 1/32  
 UNLESS OTHERWISE NOTED

**SPURD**  
 1901 Diplomat Drive  
 Farmers Branch, Texas 75234

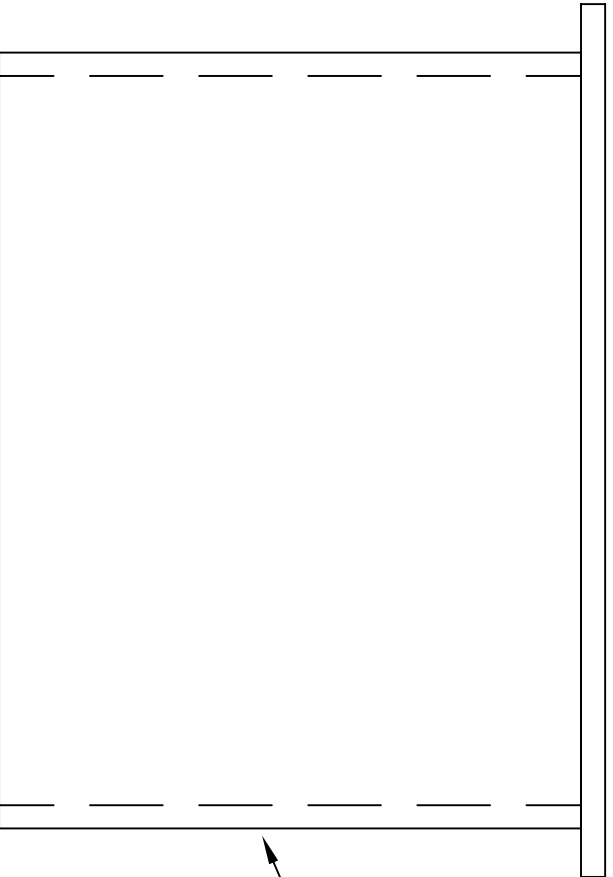
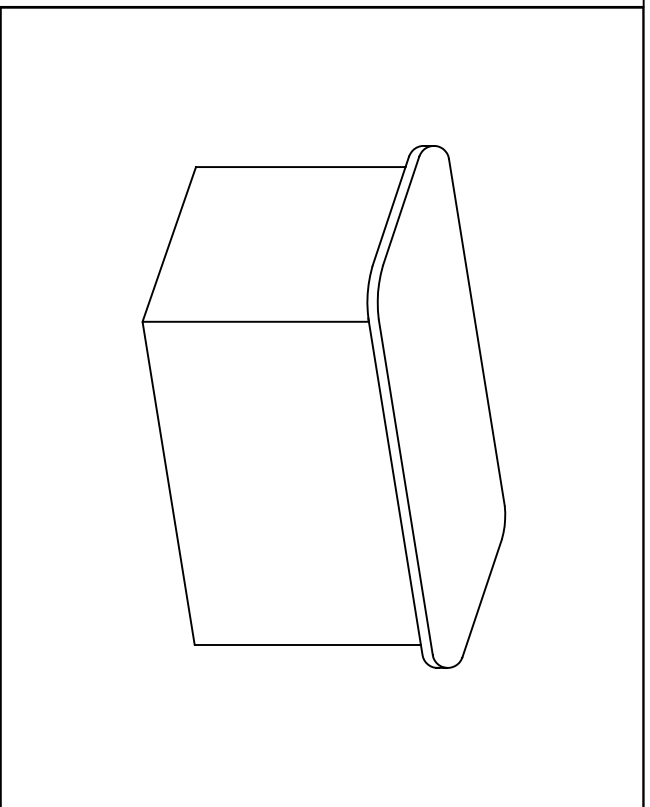
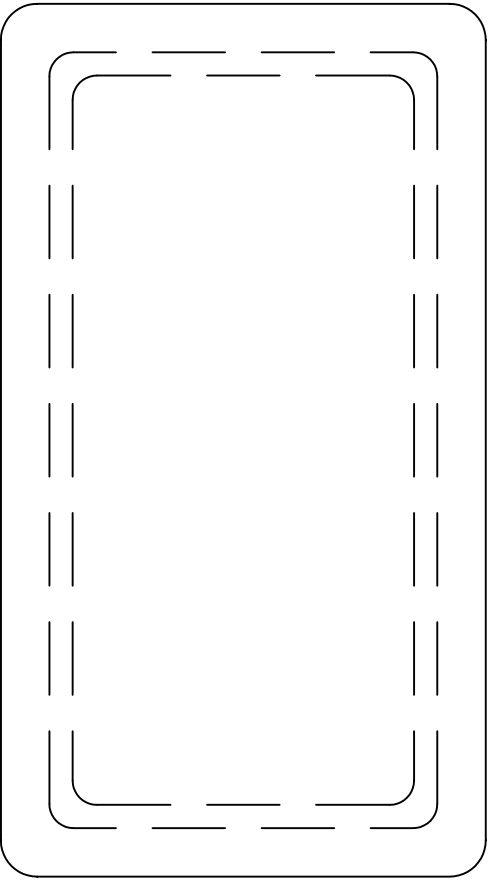
DRAWN	Z. OSORIO	7/10
CHECKED		
APPROVED		

REV: \_\_\_\_\_ DATE: \_\_\_\_\_

SCALE: \_\_\_\_\_ NUMBER \_\_\_\_\_

NOTES:  
 1) PACKAGE 4 SLEEVES W/ CAPS PER CARTON

REF: \_\_\_\_\_ TITLE \_\_\_\_\_



SEE Z027254512

SEE 1308082 - 3

**TOLERANCE**

.X = ± 0.30  
 .XX = ± 0.10  
 .XXX = ± 0.05

FRACTIONAL = ± 1/32

UNLESS OTHERWISE NOTED



1901 Diplomat Drive  
 Farmers Branch, Texas 75234

DRAWN: Z. OSORIO

7/10

CHECKED:

APPROVED:

REV: \_\_\_\_\_ DATE: \_\_\_\_\_

TITLE: SLEEVE CAP

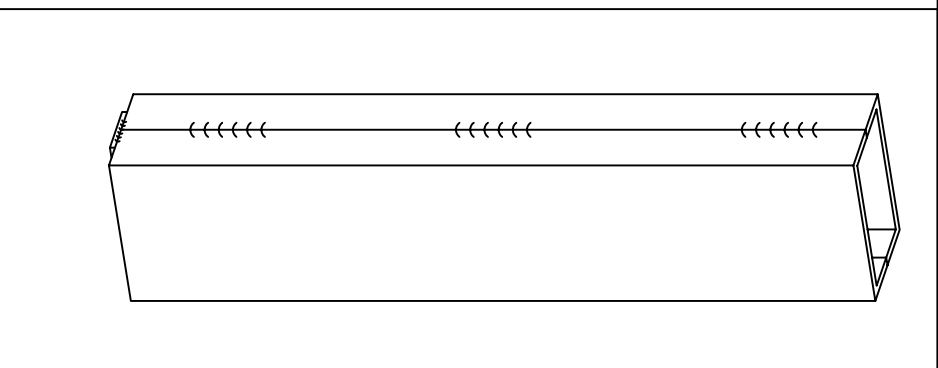
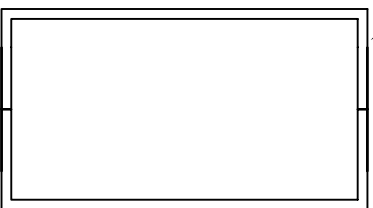
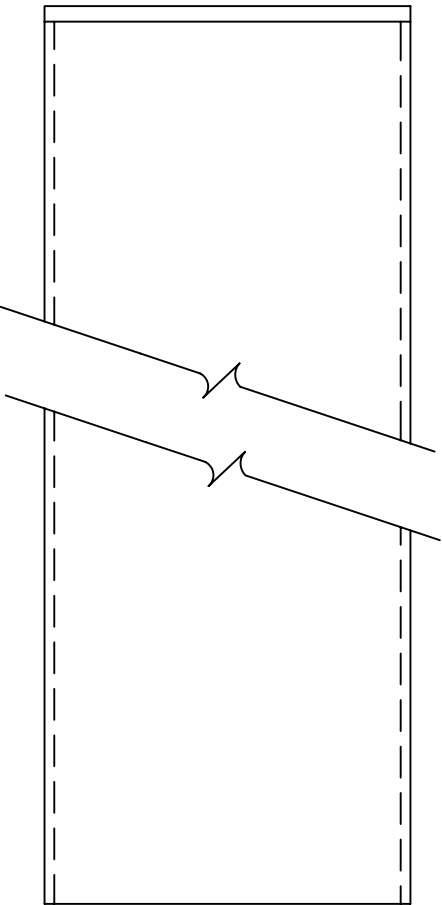
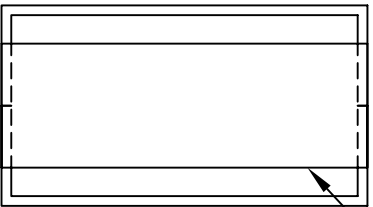
SCALE: N.T.S.

NUMBER

1308082 - 1

**NOTES:**

1) HOT DIP GALVANIZE AFTER FABRICATION



.187 x 1.5 FLAT STOCK

SEE Z1472X4X24  
(2)

**TOLERANCE**

.X = ±.030

.XX = ±.010

.XXX = ±.005

FRACTIONAL = ± 1/32

UNLESS OTHERWISE NOTED



1901 Diplomat Drive  
Farmers Branch, Texas 75234

DRAWN

Z. OSORIO

7/10

CHECKED

APPROVED

TITLE

**NOTES:**

1) HOT DIP GALVANIZE AFTER FABRICATION

REV:

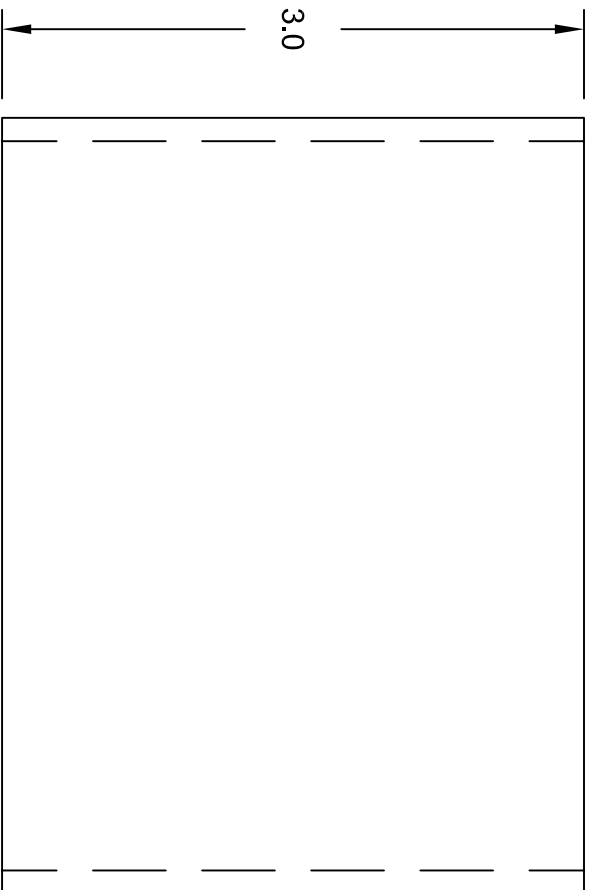
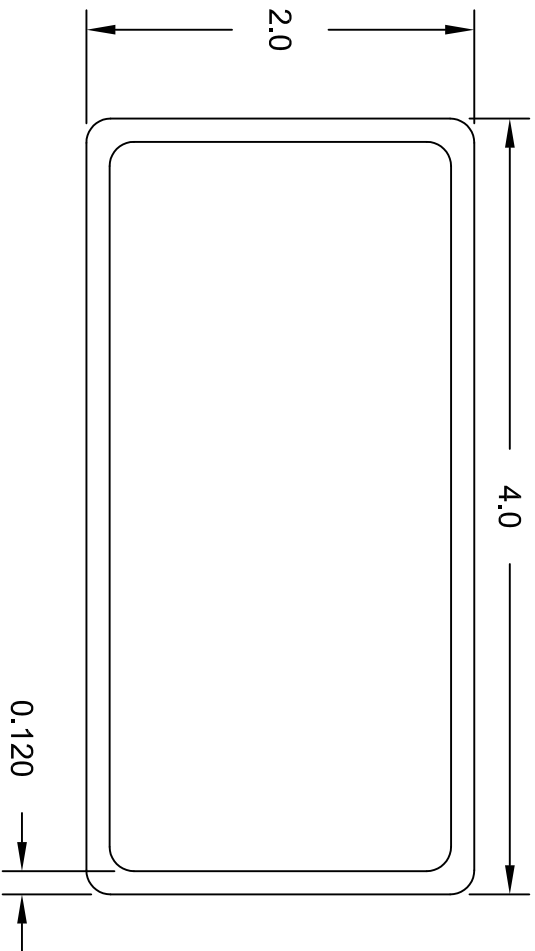
DATE:

SCALE:


NTS

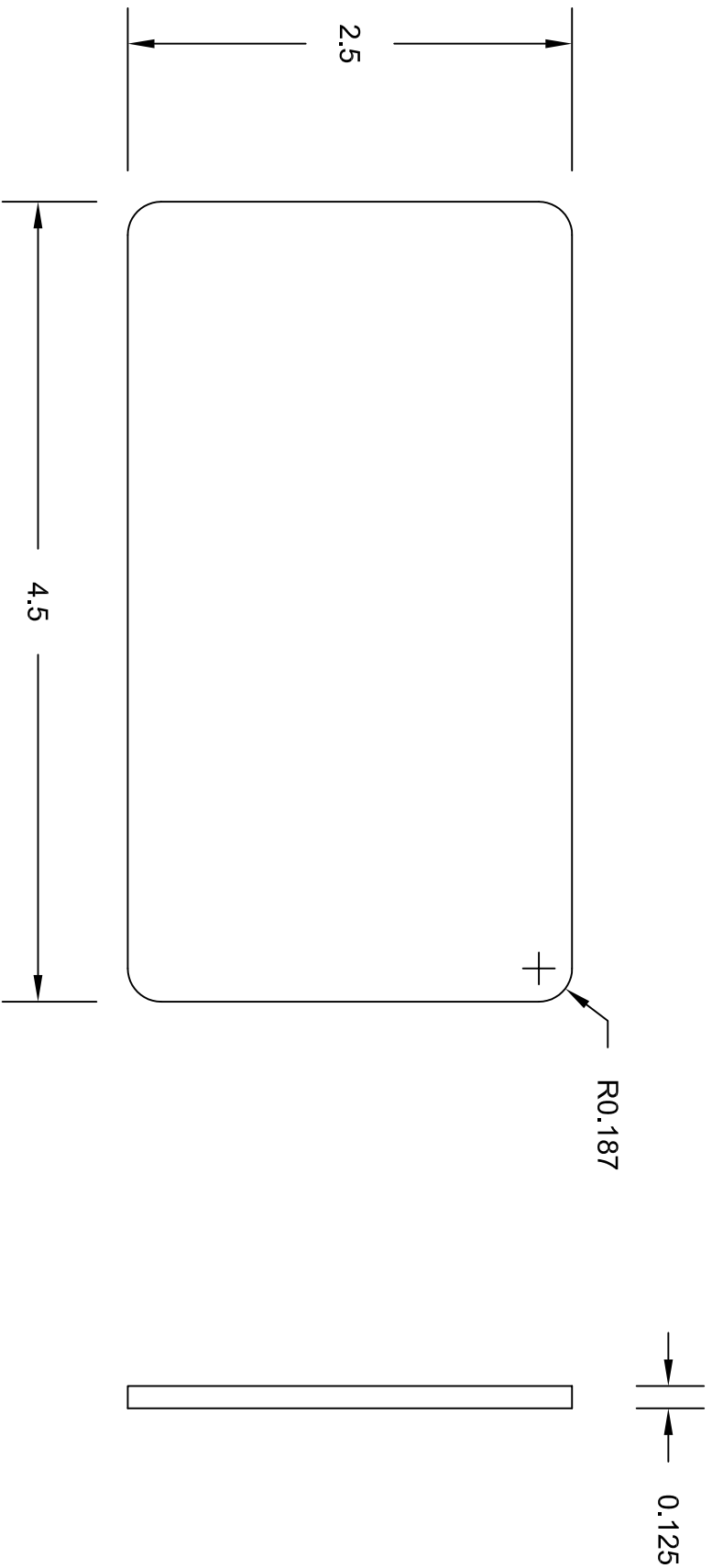
NUMBER

1308082 - 2



MATERIAL - 2 x 4 x .120w STEEL TUBE x 3.0  
 1) DEBURR ALL SHARP EDGES OF 1 END

<b>TOLERANCE</b> .X = ±.030 .XX = ±.010 .XXX = ±.005 FRACTIONAL = ± 1/32 UNLESS OTHERWISE NOTED		 1901 Diplomat Drive Farmers Branch, Texas 75234	
REF:	DATE:	DRAWN:	Z.OSORIO
REV:	DATE:	CHECKED:	
TITLE		APPROVED:	
SCALE:	NUMBER		7/10
N.T.S.	1308082 - 3		



R0.187

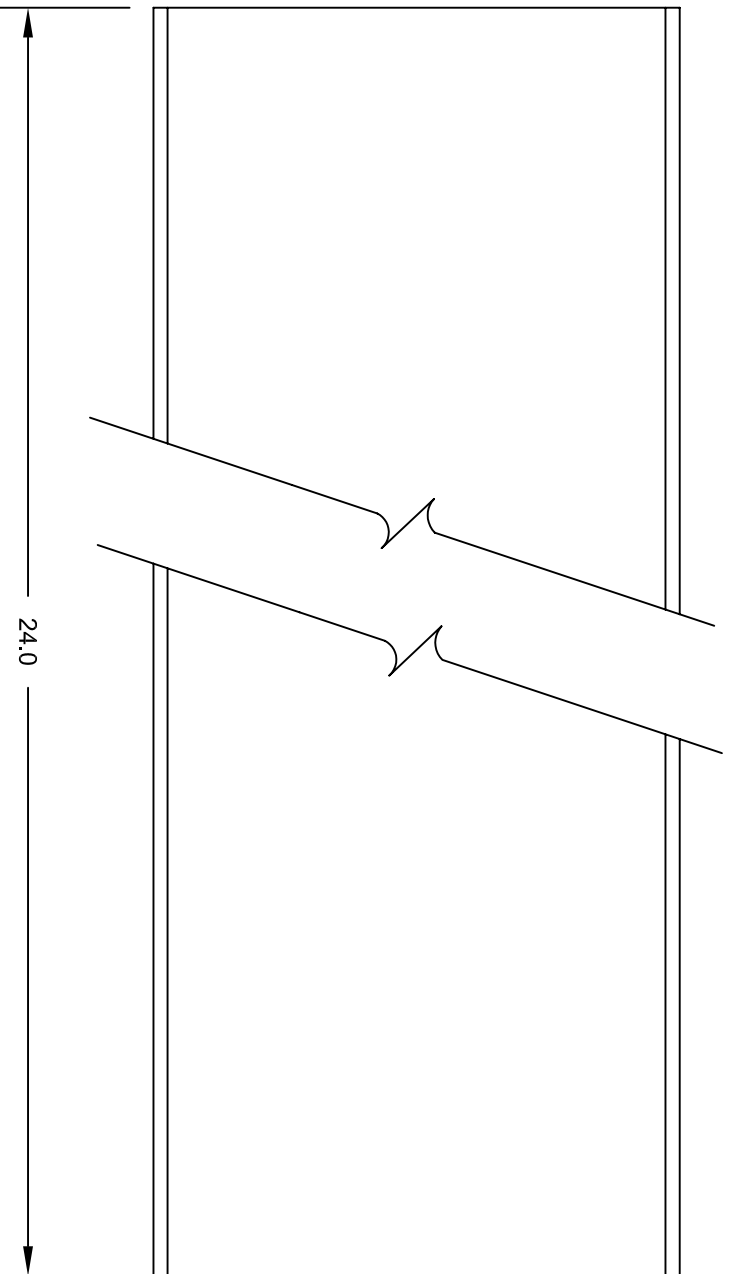
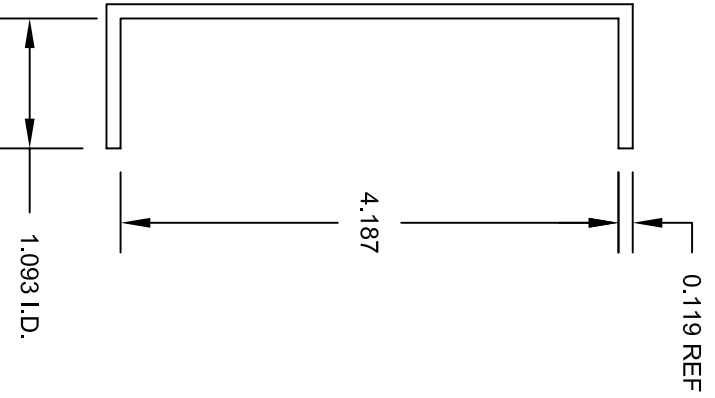
0.125

4.5

2.5

<p>TOLERANCE  .X = ±.030  .XX = ±.010  .XXX = ±.005  FRACTIONAL = ± 1/32  UNLESS OTHERWISE NOTED</p>		<p><b>SPURD</b>  <small>Engineering &amp; Manufacturing</small>  1901 Diplomat Drive  Farmers Branch, Texas 75234</p>	
DRAWN	ZOSORIO	CHECKED	7/10
APPROVED			
REF:	DATE:	SCALE:	NUMBER
		N.T.S.	Z027254512

MATERIAL - 2.5 x 4.5 x .125 STEEL SHEET  
1) DEBURR ALL SHARP EDGES



- NOTES:
1. MAT'L: 11 GA (.1196) CF STEEL
  2. MINIMUM BEND RADIUS

<p>TOLERANCE</p> <p>.X = ±.030</p> <p>.XX = ±.010</p> <p>.XXX = ±.005</p> <p>FRACTIONAL = ± 1/32</p> <p>UNLESS OTHERWISE NOTED</p>		<p><b>SPRINT</b> <b>Supply Group</b></p> <p>1901 Diplomat Drive Farmers Branch, Texas 75234</p>	
REV:	DATE:	DRAWN	S.MCCORMICK
		CHECKED	
		APPROVED	
TITLE		GROUND SLEEVE	
REF:	SCALE:	NUMBER	
	NTS	Z1472X4X24	