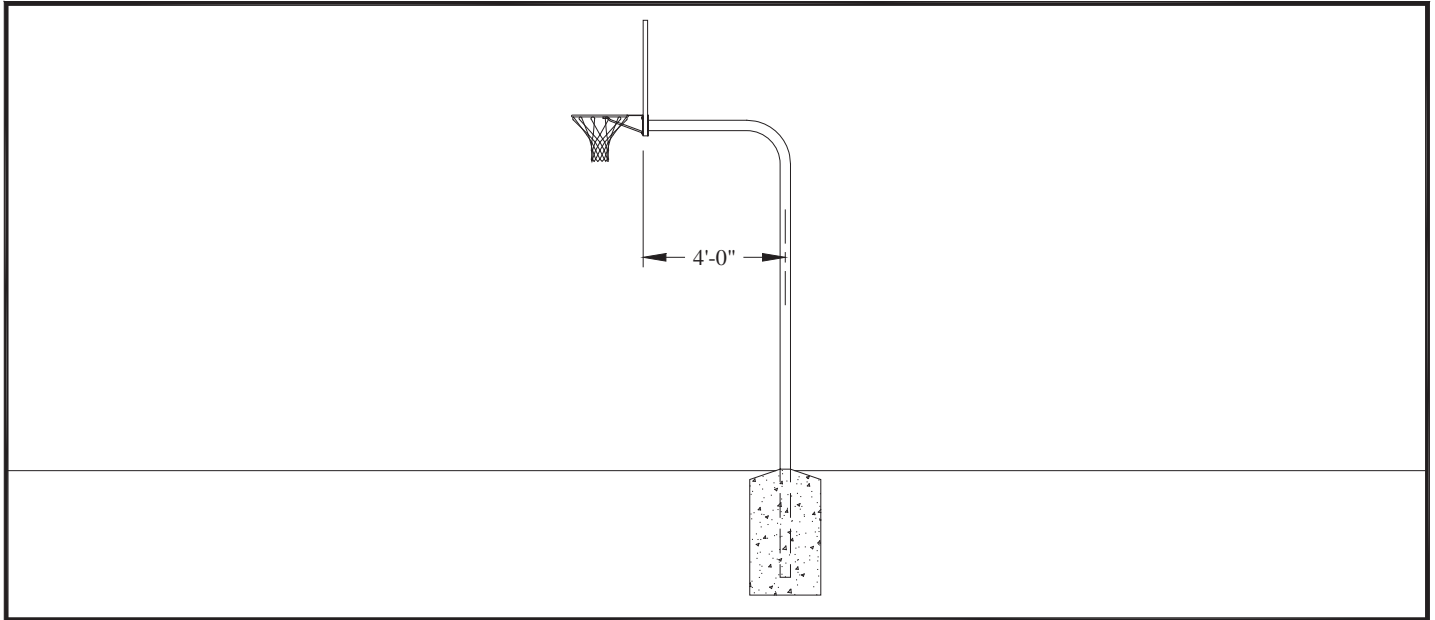


INSTALLATION INSTRUCTIONS

OUTDOOR BACKSTOP WITH 4'-0" EXTENSION

No. 00174-__-



⚠ WARNING

READ ALL INSTRUCTIONS THOROUGHLY BEFORE ATTEMPTING TO INSTALL THIS EQUIPMENT. INSTALLATION / ASSEMBLY OF THIS EQUIPMENT MUST BE DONE **ONLY BY ADULTS**, WHO ARE PHYSICALLY CAPABLE OF DOING SO.

PARTS LIST

Item No.	Part No.	Quantity	Description
1	VARIOUS	1	Fan Backboard
2	VARIOUS	1	Goal
3	UPRT 00156 0G0	1	Post

INSTALLER NOTE:

Upon completion of the installation/assembly of this backstop, make sure this instruction manual is in the possession of the owner or facility manager, to save for future reference, and to order replacement parts.

⚠ WARNING

READ ALL WARNINGS THOROUGHLY BEFORE USING THIS EQUIPMENT.

FAILURE TO COMPLY WITH THE FOLLOWING INSTRUCTIONS AND WARNINGS MAY RESULT IN SERIOUS INJURIES AND/OR PROPERTY DAMAGE.

- DO NOT HANG on the rim or any part of system, including backboard, support braces or net.
- During play, especially when performing dunk-type activities, keep player's face away from the backboard, rim and net. Serious injuries could occur if teeth/face come in contact with backboard, rim or net. All players must wear a mouth guard when performing dunk-type activities.
- Do not slide, climb or play on pole.
- During play, do not wear jewelry (rings, watches, necklaces, etc.). These objects may entangle in net.
- Keep organic material away from base of post. Grass, litter, etc. could cause corrosion and/or deterioration.
- Check post system for signs of corrosion (rust, pitting, chipping, etc.) and repaint with exterior enamel paint. If rust has penetrated through the steel anywhere, replace post immediately.
- Check system before each use for loose hardware, excessive wear, and signs of corrosion, and repair before use.
- Check system before each use for instability.
- Never allow play on damaged equipment.

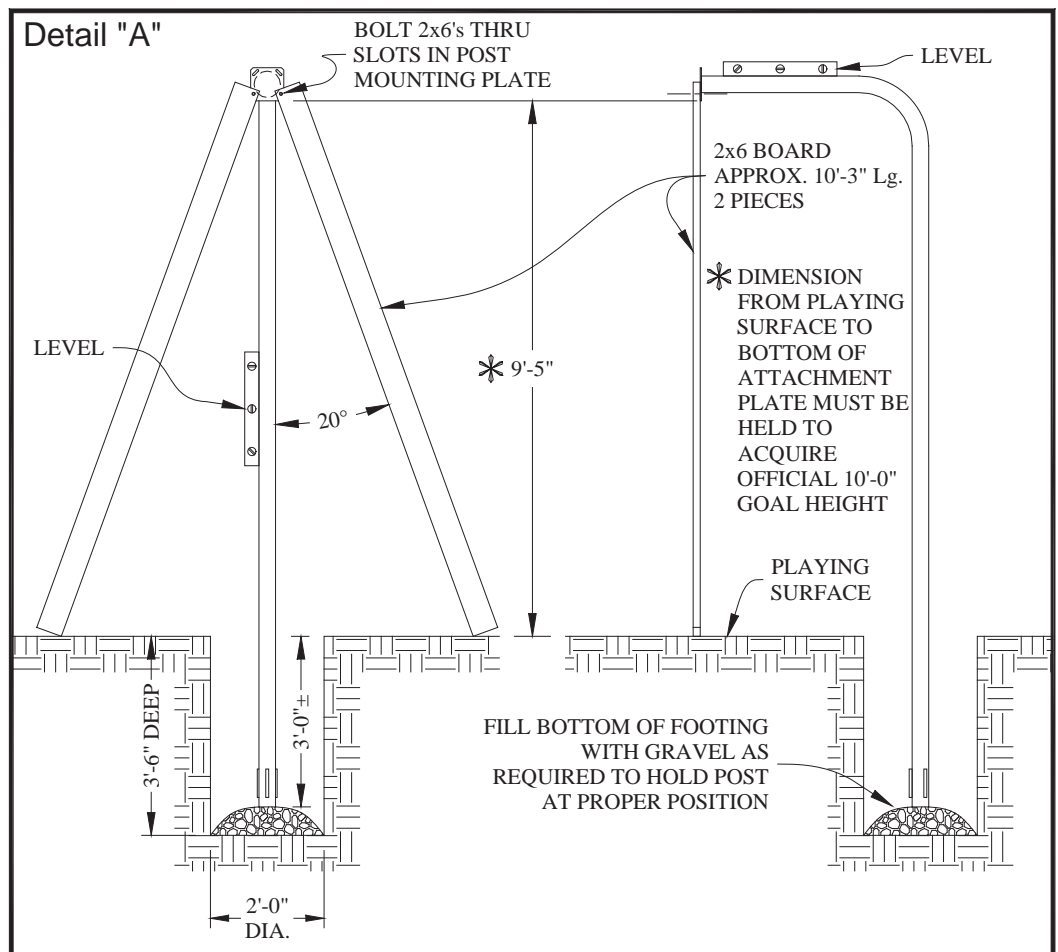
THE OWNER OF THIS EQUIPMENT IS RESPONSIBLE TO ENSURE THAT ALL INDIVIDUALS FOLLOW THESE SAFETY AND OPERATING INSTRUCTIONS TO AVOID INJURIES OR PROPERTY DAMAGE. PROPER USE AND SUPERVISION OF THIS EQUIPMENT IS ESSENTIAL TO HELP REDUCE THE POSSIBILITY OF ACCIDENTS OR INJURIES.

⚠ NOTE

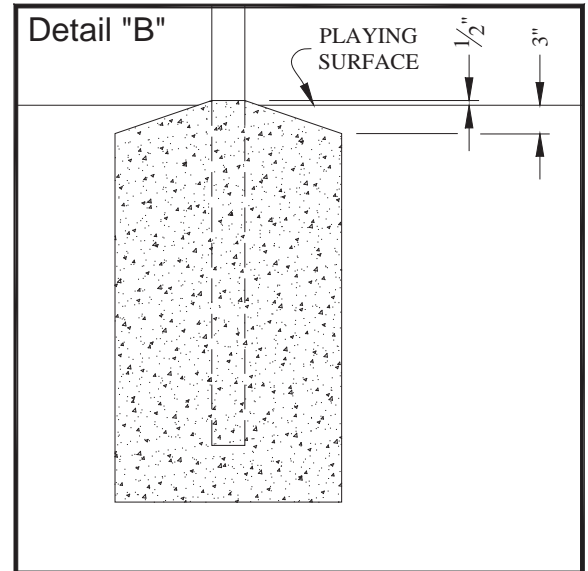
These instructions detail installing a No. 174 Backstop permanently in a concrete footing. If using a No. 174 Backstop with an outdoor ground sleeve, consult factory for information on special post. **DO NOT PROCEED.**

INSTALL POST

1. Check all items against Parts List on Page 1 to ensure all parts and hardware are available to complete the installation.
2. Locate center position of post. **CAUTION** – Contact your local utility companies to locate buried electrical, gas, water lines, etc. **BEFORE DIGGING HOLE FOR FOOTING.** Also, check for overhead utilities.
3. Dig a footing 2'-0" in diameter by 3'-6" in depth, centered on the final location of the post. Note – Footing size may have to be increased depending on soil conditions. See Detail "A".
4. Using at least two adults, tip the bottom end of the post into the footing hole, and raise it to the vertical position. See Detail "A".



5. Center the post in the hole. Shore it up, making sure the post is level, plumb, and at the proper height above the playing surface. A suggested method of shoring is shown in Detail "A".
6. Pour concrete into the hole (approximately .41 cubic yards), tamping as it is poured to eliminate air pockets. Slope top of footing upward toward post so that top of footing at post is approximately 1/2" above playing surface. Slope footing away from post, to a point that is 3" below the playing surface. See Detail "B". This will ensure proper drainage, reducing the possibility of corrosion of the steel post. Do not cover the footing at the post with dirt, sod or anything else that could hold moisture.
7. Allow concrete to cure at least 24 hours before proceeding.



ASSEMBLE BACKBOARD AND GOAL

8. Assemble backboard and goal to post using the four bolts furnished with the goal. Lay a level horizontally across the top of the backboard and across the goal. Rotate backboard and goal as required until both are level. When level, tighten hardware securely.
9. Assembly of backstop is now complete. Install optional post padding as required.

⚠ WARNING: This product can expose you to Titanium Dioxide, which is known to the State of California to cause cancer. For more information go to www.p65warnings.ca.gov.

porter
WWW.PORTERATHLETIC.COM
 (888) 277-7778

SAVE THESE INSTRUCTIONS FOR FUTURE USE