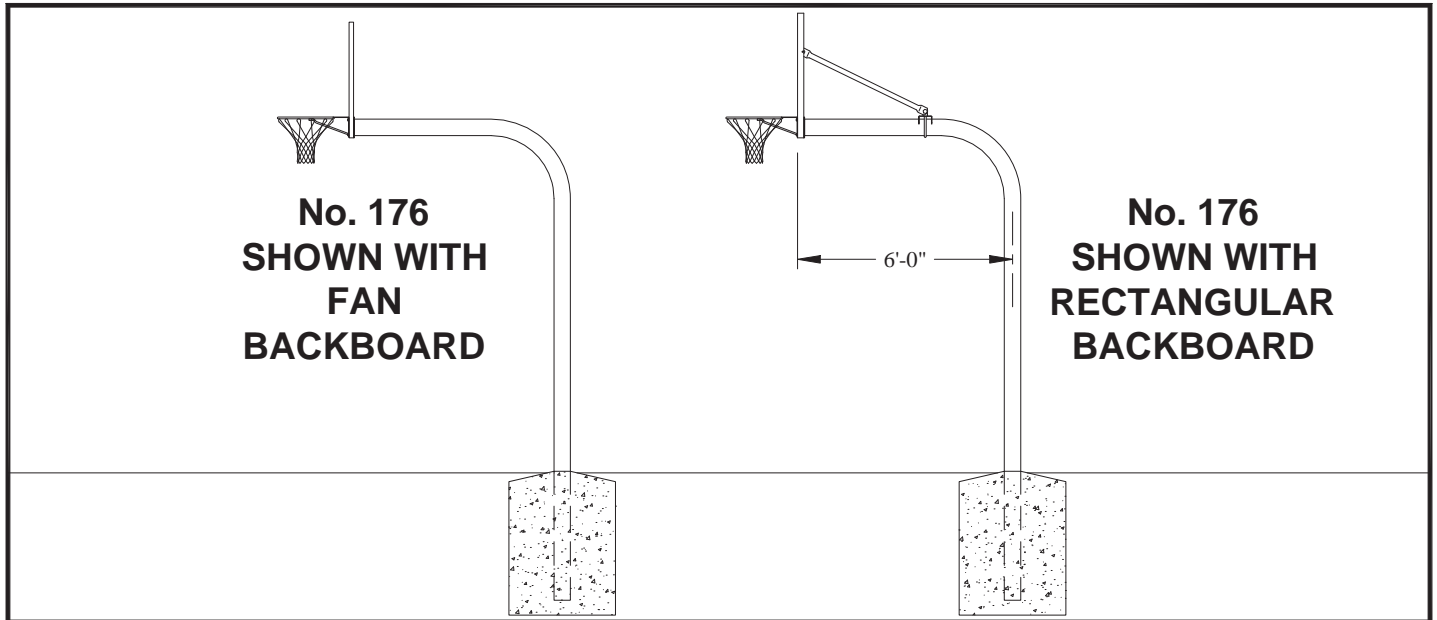


## INSTALLATION INSTRUCTIONS

### *OUTDOOR BACKSTOP WITH 6'-0" EXTENSION*

No. 00176- \_ \_ \_



### **⚠ WARNING**

READ ALL INSTRUCTIONS THOROUGHLY BEFORE ATTEMPTING TO INSTALL THIS EQUIPMENT. INSTALLATION / ASSEMBLY OF THIS EQUIPMENT MUST BE DONE **ONLY BY ADULTS**, WHO ARE PHYSICALLY CAPABLE OF DOING SO.

### INSTALLER NOTE:

Upon completion of the installation/assembly of this backstop, make sure this instruction manual is in the possession of the owner or facility manager, to save for future reference, and to order replacement parts.

**PARTS LIST**

**No. 176 BACKSTOP With FAN BACKBOARD**

**No. 176 BACKSTOP With RECTANGULAR BACKBOARD**

| Item No. | Qty. | Part Number    | Description   |
|----------|------|----------------|---------------|
| 1        | 1    | VARIOUS        | Fan Backboard |
| 2        | 1    | VARIOUS        | Goal          |
| 3        | 1    | UPRT 00266 0G0 | Post          |

| Item No. | Qty. | Part Number    | Description                            |
|----------|------|----------------|--|
| 1        | 1    | VARIOUS        | Rectangular Backboard                  |
| 2        | 1    | VARIOUS        | Goal                                   |
| 3        | 1    | UPRT 00266 0G0 | Post                                   |
| 4        | 1    | BRCE 00067 0G0 | Brace/Mast Clamp                       |
| 6        | 2    | SWAY0001750G0  | Sway Brace                             |
| 7S       | 2    | HDWE 01208 0E0 | 3/8" x 2 1/2" Lg. Hex Head Cap Screw   |
| 8        | 4    | HDWE 050040E0  | 3/8" Flat Washer                       |
| 9G       | 2    | HDWE 01206 0E0 | 3/8" x 2" Lg. Hex Head Cap Screw ♦     |
| 11       | 1    | HDWE 01125 0E0 | 3/8" x 1-1/4" Lg. Hex Head Cap Screw ♦ |
| 12       | 3    | HDWE 04002 0E0 | 3/8" Lock washer                       |
| 13       | 3    | HDWE 03002 0E0 | 3/8" Hex Nut                           |
| 14       | 1    | UBOT 00012 0E0 | 5/8" U-Bolt                            |
| 15       | 2    | HDWE 04006 0E0 | 5/8" Lock washer                       |
| 16       | 2    | HDWE 03012 0E0 | 5/8" Hex Nut                           |

♦ NOTE – Grade 5 Hardware

G – Rect. Glass Backboard Only      S – Rect. Steel Backboard Only

**PARTS LIST**

**No. 176 BACKSTOP With RECTANGULAR FIBERGLASS BACKBOARD**

| Item No. | Qty. | Part Number    | Description                            |
|----------|------|----------------|--|
| 1        | 1    | 00216-000      | Rectangular Fiberglass Backboard       |
| 2        | 1    | VARIOUS        | Goal                                   |
| 3        | 1    | UPRT 00266 0G0 | Post                                   |
| 4        | 1    | BRCE 00067 0G0 | Brace/Mast Clamp                       |
| 5        | 2    | BRCE0002100G0  | Brace Clamp, Backboard                 |
| 6        | 2    | SWAY0001750G0  | Sway Brace                             |
| 10       | 6    | HDWE011240E0   | 3/8" x 1" Lg. Hex Head Cap Screw ♦     |
| 11       | 1    | HDWE 03003 0E0 | 3/8" x 1-1/4" Lg. Hex Head Cap Screw ♦ |
| 12       | 7    | HDWE 04002 0E0 | 3/8" Lock washer                       |
| 13       | 3    | HDWE 03002 0E0 | 3/8" Hex Nut                           |
| 14       | 1    | UBOT 00012 0E0 | 5/8" U-Bolt                            |
| 15       | 2    | HDWE 04006 0E0 | 5/8" Lock washer                       |
| 16       | 2    | HDWE 03012 0E0 | 5/8" Hex Nut                           |

** WARNING**

READ ALL WARNINGS THOROUGHLY BEFORE USING THIS EQUIPMENT.

FAILURE TO COMPLY WITH THE FOLLOWING INSTRUCTIONS AND WARNINGS MAY RESULT IN SERIOUS INJURIES AND/OR PROPERTY DAMAGE.

- DO NOT HANG on the rim or any part of system, including backboard, support braces or net.
- During play, especially when performing dunk-type activities, keep player's face away from the backboard, rim and net. Serious injuries could occur if teeth/face come in contact with backboard, rim or net. All players must wear a mouth guard when performing dunk-type activities.
- Do not slide, climb or play on pole.
- During play, do not wear jewelry (rings, watches, necklaces, etc.). These objects may entangle in net.
- Keep organic material away from base of post. Grass, litter, etc. could cause corrosion and/or deterioration.
- Check post system for signs of corrosion (rust, pitting, chipping, etc.) and repaint with exterior enamel paint. If rust has penetrated through the steel anywhere, replace post immediately.
- Check system before each use for loose hardware, excessive wear, and signs of corrosion, and repair before use.
- Check system before each use for instability.
- Never allow play on damaged equipment.

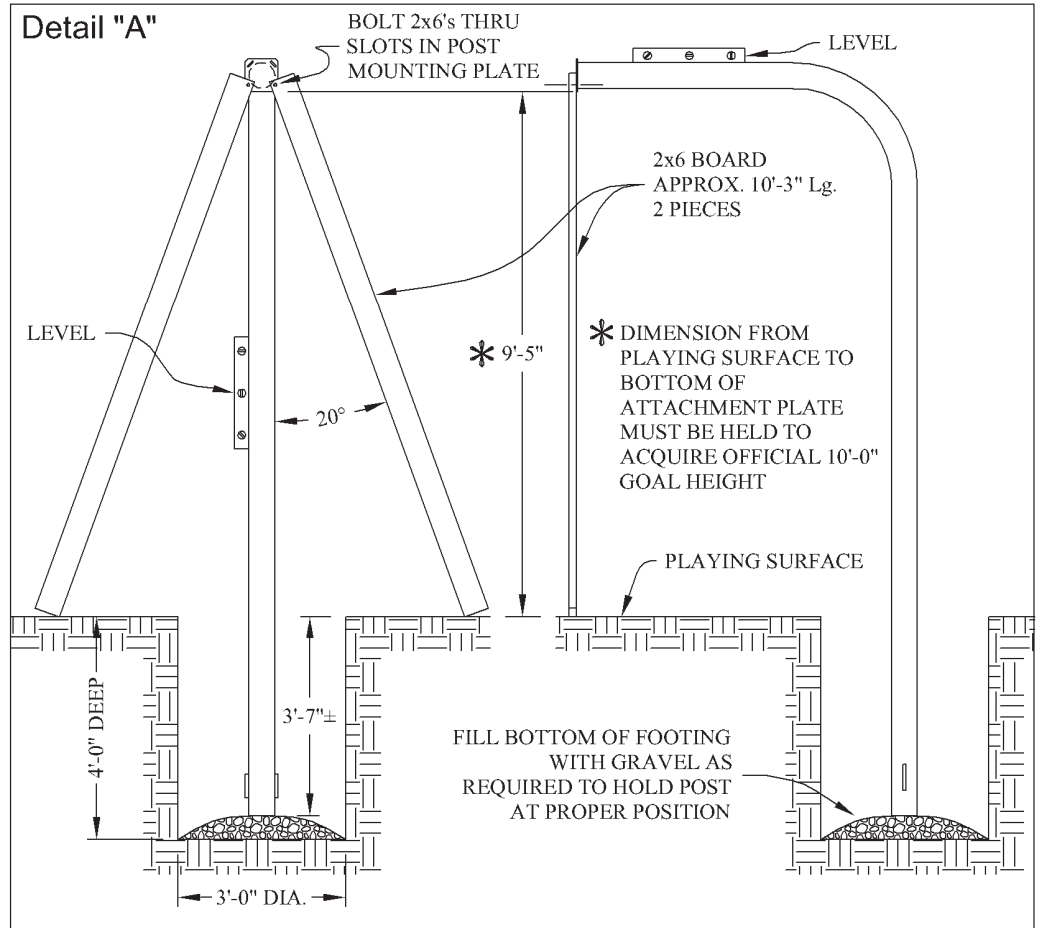
THE OWNER OF THIS EQUIPMENT IS RESPONSIBLE TO ENSURE THAT ALL INDIVIDUALS FOLLOW THESE SAFETY AND OPERATING INSTRUCTIONS TO AVOID INJURIES OR PROPERTY DAMAGE. PROPER USE AND SUPERVISION OF THIS EQUIPMENT IS ESSENTIAL TO HELP REDUCE THE POSSIBILITY OF ACCIDENTS OR INJURIES.

## NOTE

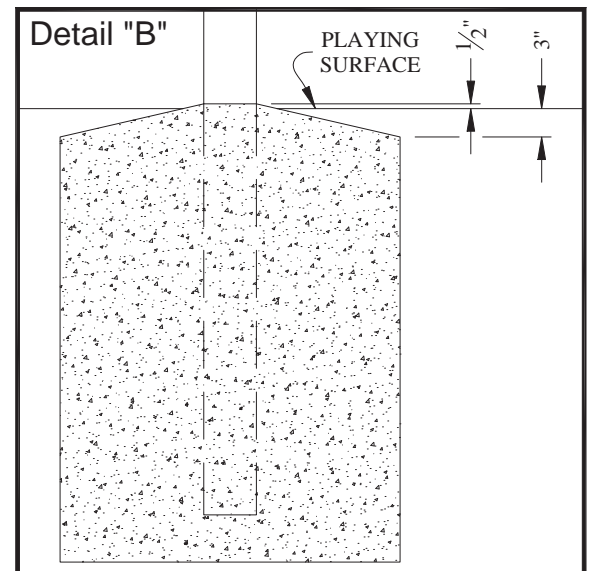
These instructions detail installing a No. 176 Backstop permanently in a concrete footing. If using a No. 176 Backstop with Porter's No. 00275-000 Outdoor Ground Sleeve, consult factory for information on proper Post, and refer to instructions included with the No. 00275-000 Outdoor Ground Sleeve. **DO NOT PROCEED.**

## INSTALL POST

1. Check all items against Parts List on Page 1 to ensure all parts and hardware are available to complete the installation.
2. Locate center position of post. **CAUTION** – Contact your local utility companies to locate buried electrical, gas, water lines, etc. **BEFORE DIGGING HOLE FOR FOOTING.** Also, check for overhead utilities.
3. Dig a footing 3'-0" in diameter by 4'-0" in depth, centered on the final location of the post. Note – Footing size may have to be increased depending on soil conditions. See Detail "A".
4. Using at least two adults, tip the bottom end of the post into the footing hole, and raise it to the vertical position. See Detail "A".



5. Center the post in the hole. Shore it up, making sure the post is level, plumb, and at the proper height above the playing surface. A suggested method of shoring is shown in Detail "A".
6. Pour concrete into the hole (approximately 1.1 cubic yards), tamping as it is poured to eliminate air pockets. Slope top of footing upward toward post so that top of footing at post is approximately 1/2" above playing surface. Slope footing away from post, to a point that is 3" below the playing surface. See Detail "B". This will ensure proper drainage, reducing the possibility of corrosion of the steel post. Do not cover the footing at the post with dirt, sod or anything else that could hold moisture.
7. Allow concrete to cure at least 24 hours before proceeding.



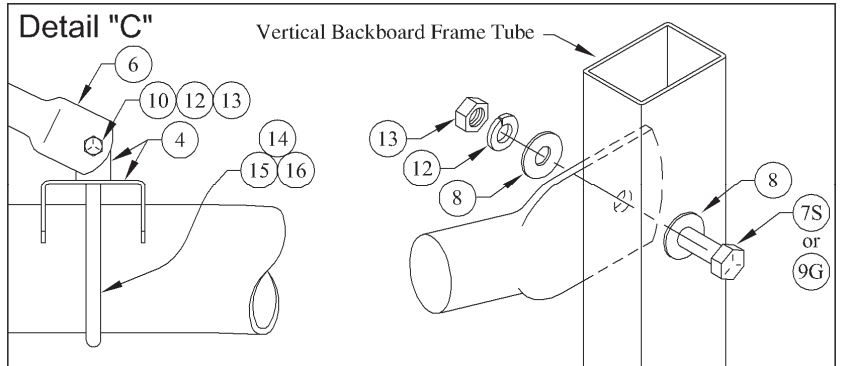
## ASSEMBLE BACKBOARD AND GOAL

8. Assemble backboard and goal to post using the four bolts furnished with the goal. Lay a level horizontally across the top of the backboard and across the goal. Rotate backboard and goal as required until both are level. When level, tighten hardware securely.

Proceed to Step No. 9 if installing a No. 176 Backstop with Rectangular Backboard or Step 13 if installing a Rectangular Fiberglass Backboard. Proceed to Step No. 16 if installing a No. 176 Backstop with Fan Backboard.

## ASSEMBLE SWAY BRACES – RECTANGULAR BACKBOARDS ONLY

9. This step requires at least two adults. Loosely assemble lower end of sway braces (6) to brace/mast clamp (4) using 3/8" x 1-1/4" hex head cap screw (10), 3/8" lock washer (12) and 3/8" hex nut (13). Do not tighten hardware until later. See Detail "C".



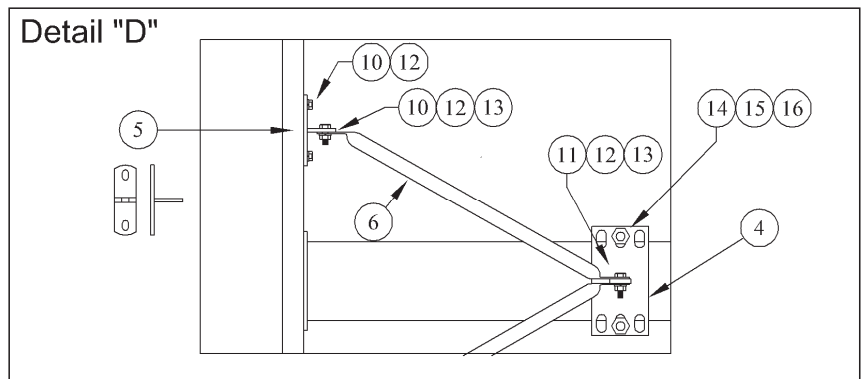
10. With the brace/mast clamp (4) resting on the post, loosely assemble the upper ends of the sway braces (6) to the backboard frame, using 3/8" x 2" hex head cap screw (9G) for Glass or 3/8" x 2 1/2" hex head cap screw (7S) for Steel, 3/8" flat washers (8), 3/8" lock washer (12) and 3/8" hex nut (13). Do not tighten hardware until later. See Detail "C".

11. Secure brace/mast clamp (4) to post using 5/8" U-Bolt (14), 5/8" lock washers (15) and 5/8" hex nuts (16). At this time, tighten all hardware securing sway braces to post and backboard.

12. Assembly of backstop is now complete. Install optional post and/or backboard padding as required.

## ASSEMBLE SWAY BRACES – RECT. FIBERGLASS BACKBOARDS ONLY


13. This step requires at least two adults. Install two backboard brace clamps (5) to the back of the backboard with two 3/8" x 1" hex head cap screws (10) with 3/8" lock washers (12). Loosely assemble lower end of sway braces (6) to brace/mast clamp (4) using 3/8" x 1-1/4" lg. hex head cap screw (11), 3/8" lock washer (12) and 3/8" hex nut (13). Do not tighten hardware until later. See Detail "C".



14. With the brace/mast clamp (4) resting on the post, loosely assemble the upper ends of the sway braces (6) to the backboard brace clamps, using 3/8" x 1" hex head cap screws (10), 3/8" lock washers (12) and 3/8" hex nut (13). Do not tighten hardware until later. See Detail "C".

15. Secure brace/mast clamp (4) to post using 5/8" U-Bolt (14), 5/8" lock washers (15) and 5/8" hex nuts (16). At this time, tighten all hardware securing sway braces to post and backboard.

16. Assembly of backstop is now complete. Install optional post and/or backboard padding as required.

 **WARNING:** This product can expose you to Titanium Dioxide, which is known to the State of California to cause cancer. For more information go to [www.p65warnings.ca.gov](http://www.p65warnings.ca.gov).

**porter**<sup>®</sup>

**Porter Athletic Equipment Company**

2500 South 25<sup>th</sup> Avenue, Broadview, IL U.S.A., 60155

Toll Free: (800) 947-6783 • Phone: (708) 338-2000 • Fax: (708) 338-2060

[www.porter-ath.com](http://www.porter-ath.com)

**SAVE THESE INSTRUCTIONS FOR FUTURE USE**