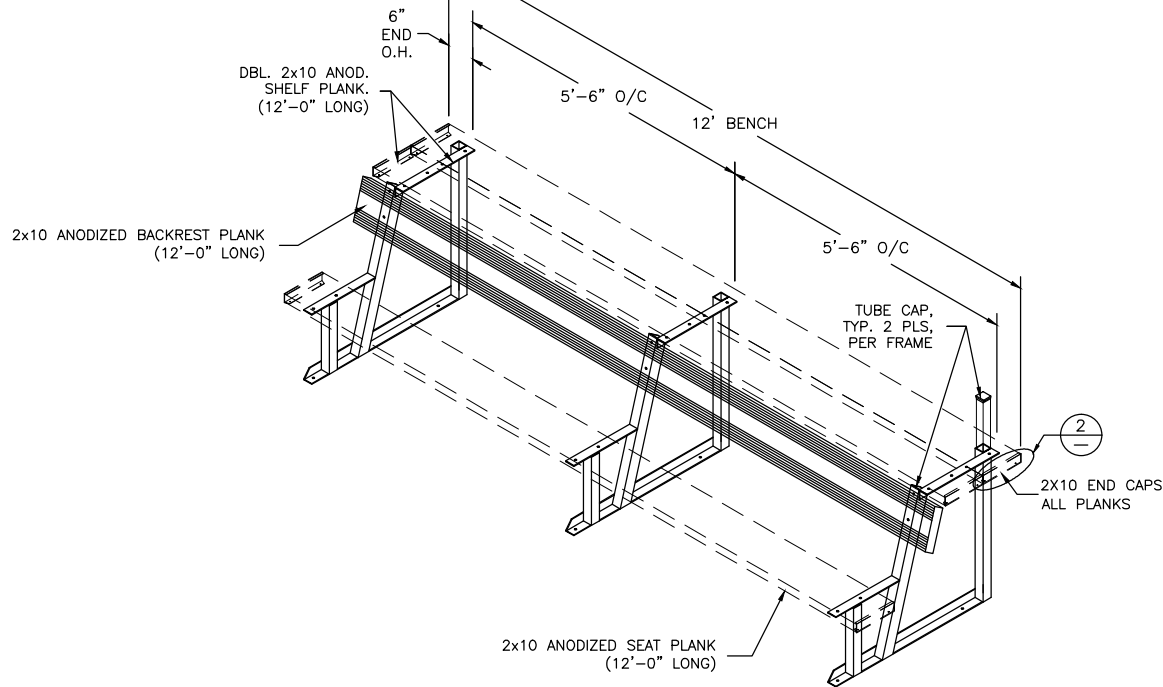
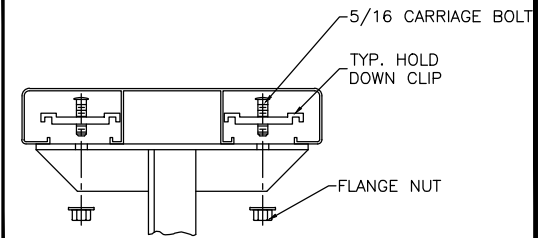


SEE DETAILS 3 & 4 FOR ANCHORING OPTIONS



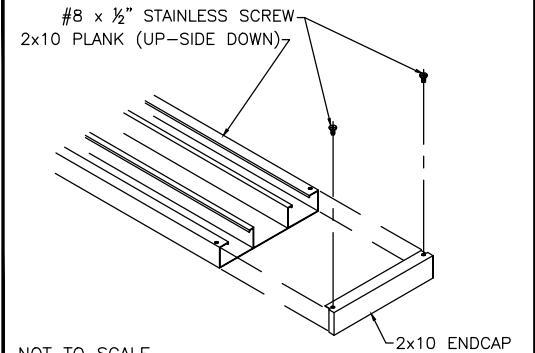
ISOMETRIC VIEW OF BENCH ASSEMBLY
 Note: Seat Plank Shown Dotted for Clarity

③ TYP 2x10 PLANK ATTACHMENT

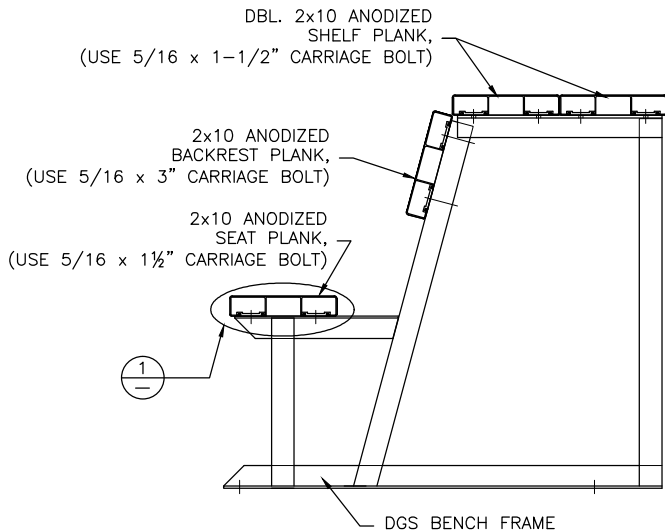


NOT TO SCALE

④ TYP 2x10 ENDCAP ATTACHMENT

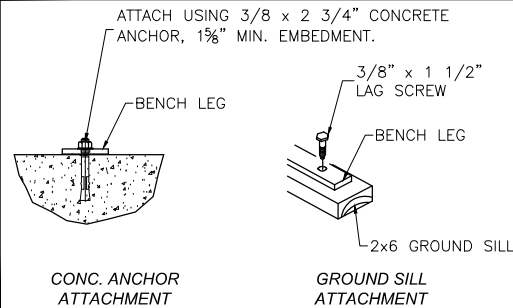


NOT TO SCALE



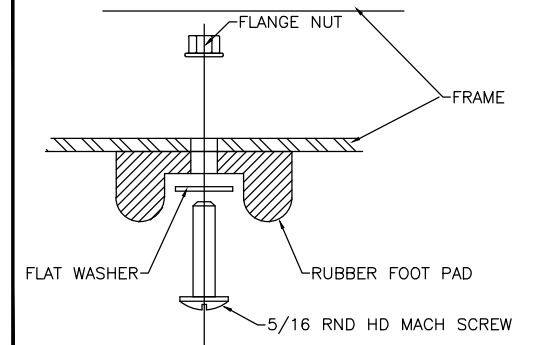
SIDE VIEW OF BENCH ASSEMBLY

④ TYP ANCHORING DETAIL



NOT TO SCALE

⑤ RUBBER FOOT PAD ATTACH. DETAIL



This drawing and all information contained herein is the property of NATIONAL RECREATION SYSTEMS, INC. and is not to be reproduced without express written permission of this manufacturer. We assume no responsibility for unauthorized use of this drawing. National Recreation Systems, Inc. is not responsible for local permits and occupancy requirements.

National Recreation Systems, Inc.

P.O. BOX 11487 FORT WAYNE, IN 46858-1487

SCALE: NTS	APPROVED BY:	DRAWN BY: JLB
DATE: 11/12/12		
TITLE: 'DGS' BENCH ASSEMBLY 12'-0" LONG		
CUSTOMER:	DRAWING NUMBER: BDGS01200	