



www.gillathletics.com
800-637-3090

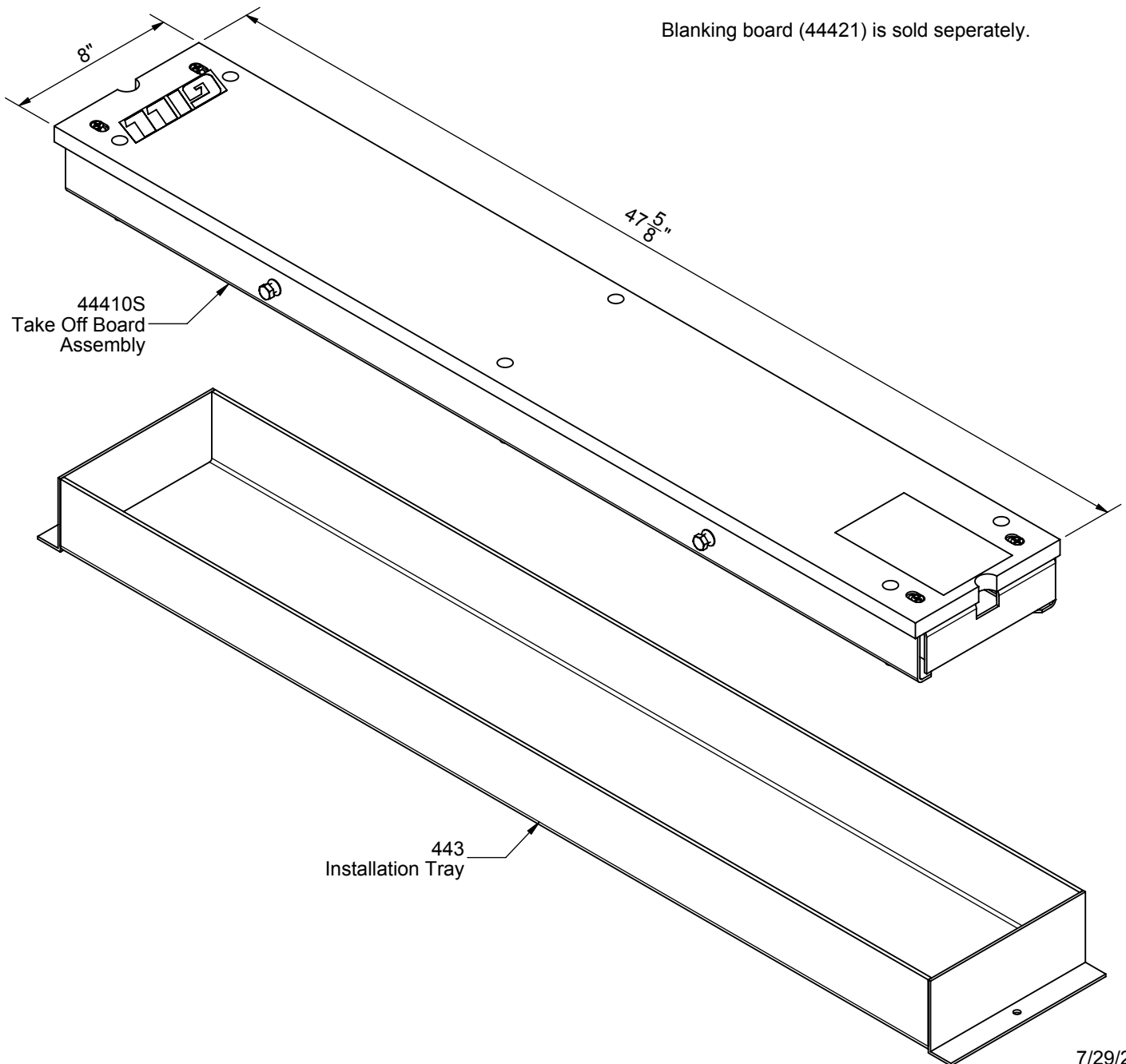
444S - 8" TAKE OFF BOARD SYSTEM SPECIFICATION

The 444S consists of a take off board assembly and an installation tray.

The take off board assembly has an adjustable aluminum base board. The weather resistant composite take off board is 3/4" thick. The take off board and base board have holes in them so that the base board can be leveled from the top down.

Meets NFHS rules

Meets NCAA rules



Blanking board (44421) is sold separately.

44410S
Take Off Board
Assembly

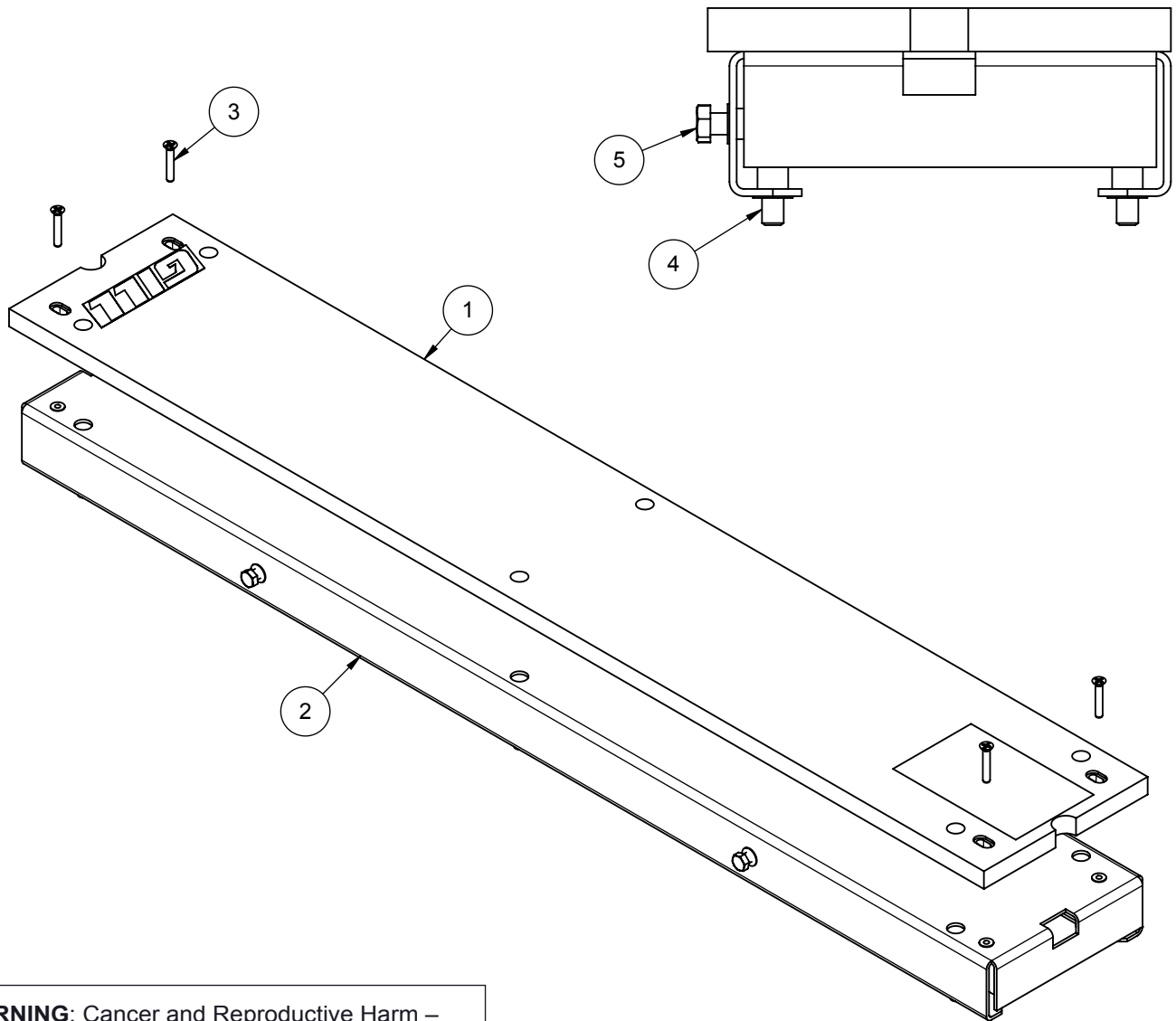
443
Installation Tray



www.gillathletics.com
800-637-3090

444S - 8" TAKE OFF BOARD SYSTEM SPECIFICATION

	PART #	DESCRIPTION	QTY
1	44405	444 System Composite Take Off Board; White	1
2	P44402	Leveling Base Board	1
3	M2257	1/4"-20 x 1.5" SS FH Phillips Screw	4
4	M2530	3/8"-16 x 1.5" SS Socket Cap Screw	6
5	M2787	3/18"-16 x 1" Hex Head Bolt; SS	2



⚠ WARNING: Cancer and Reproductive Harm –
For more information go to www.p65warnings.ca.gov