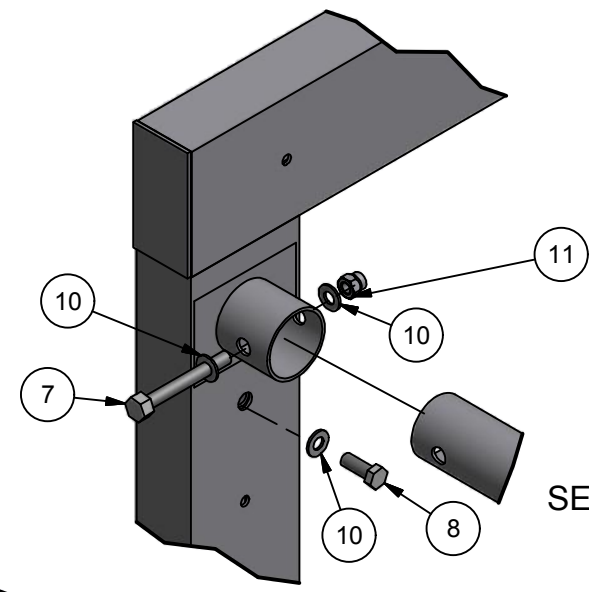
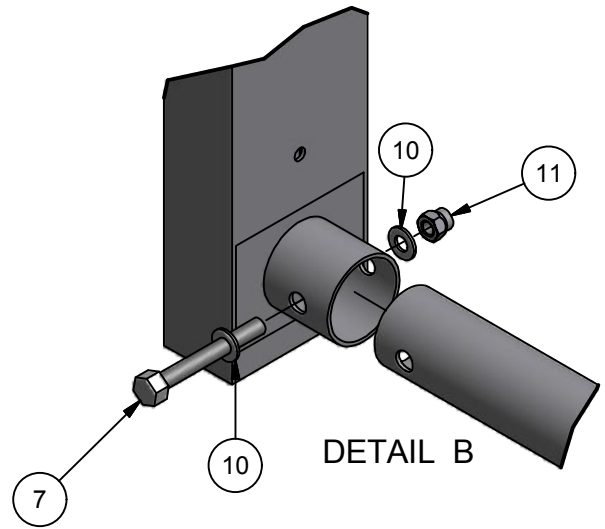


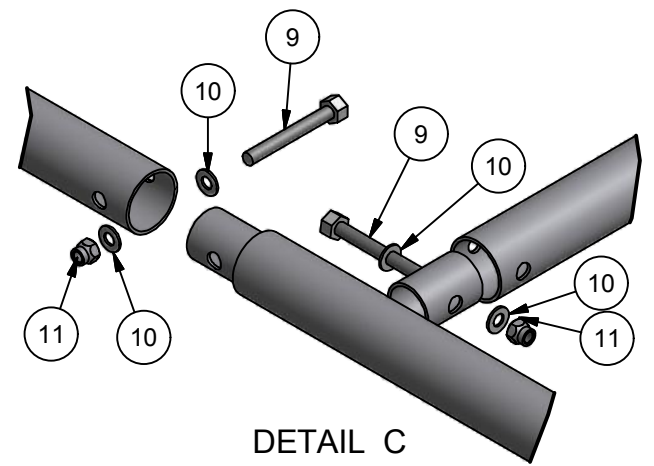
REV	DESCRIPTION	DATE	BY
A	CHANGED HARDWARE TO METRIC	4/28/2010	DRL
B	UPDATED PART NUMBERS	5/8/2013	MT



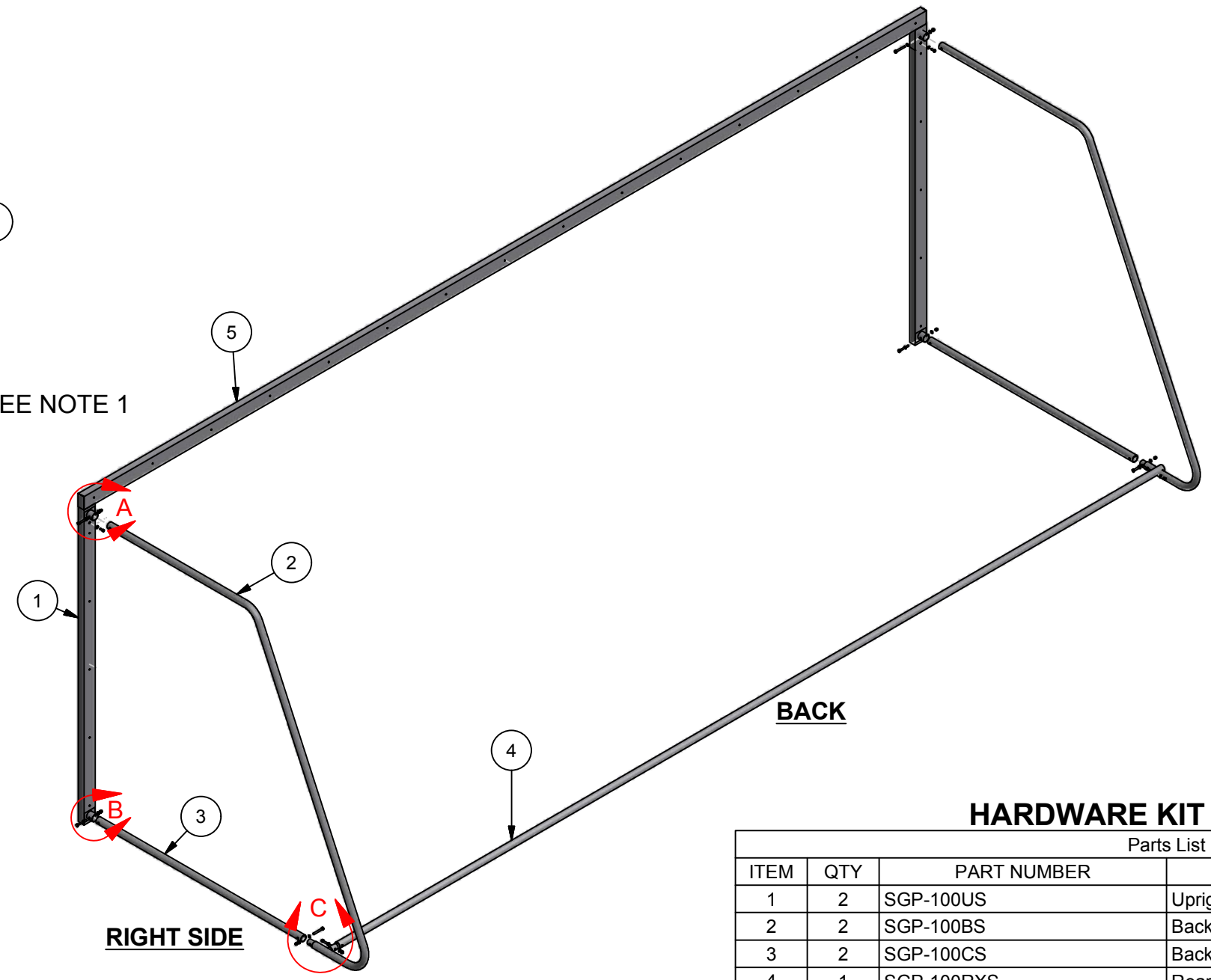
DETAIL A



DETAIL B



DETAIL C



SEE NOTE 1

RIGHT SIDE

BACK

HARDWARE KIT PER GOAL

Parts List			
ITEM	QTY	PART NUMBER	DESCRIPTION
1	2	SGP-100US	Uprights
2	2	SGP-100BS	Backstay
3	2	SGP-100CS	Backstay Connector
4	1	SGP-100RXS	Rear Crossbar
5	1	SGP-100XS	Crossbar
7	4	M10 x 70 mm	Hex Head Bolt
8	2	M10 x 20 mm	Hex Head Bolt
9	4	M10 x 65 mm	Hex Head Bolt
10	18	M10	Flat Washer
11	8	M10	Lock Nut

NOTES:
 1. USE OF THREADLOCKER COMPOUND RECOMMENDED
 2. TWO 17 mm WRENCHES NEEDED FOR ASSEMBLY

PROJECTION METHOD:			TOLERANCES:		
UNLESS OTHERWISE SPECIFIED			0. = .13		
TITLE:			INITIALS:	DATE:	
DESIGNER:			DC	7/24/2006	
CHECKER:			BTS	5/8/2013	
SIZE:	SCALE:	REV.:	DRAWING NAME:		
B	N/A	B	SGP-100 PARTS LIST		

JAYPRO SPORTS, LLC, 976 HARTFORD TURNPIKE, WATERFORD, CT 06385 USA



PHONE:
 800.243.0533 (TOLL FREE)
 860.447.3001 (LOCAL)

FAX:
 800.444.1779 (SALES)
 860.440.0628 (ENG.)

PART NUMBER:	SHEET:
SGP-100	1 OF 1