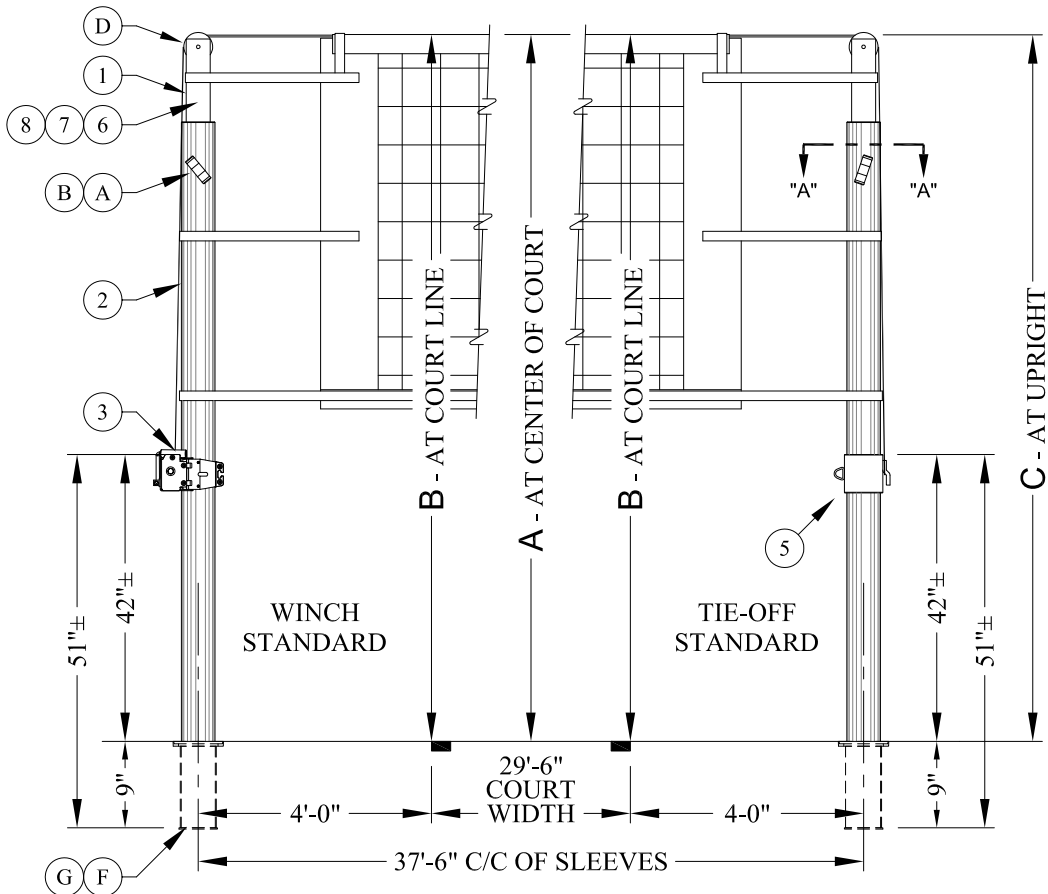


# No. 1991 POWR-LINE VOLLEYBALL END STANDARDS ASSEMBLY and INSTALLATION INSTRUCTIONS

PARTS LIST - No. 1991		
No.	Qty.	DESCRIPTION
1	2	UPRT 00213 200 INSIDE UPRIGHT ASSEMBLY
2	2	UPRT 00212 000 OUTSIDE UPRIGHT ASSEMBLY
3	1	WINH 00099 UNIVERSAL WINCH
4		
5	1	SLVE 00038 001 SLEEVE WITH NET TIE-OFF
6	2	LABL 00167 000 HEIGHT LABEL - 7' 11-5/8"
7	2	LABL 00168 000 HEIGHT LABEL - 7' 4-1/8"
8	2	LABL 00169 001 HEIGHT LABEL - 7'-0"



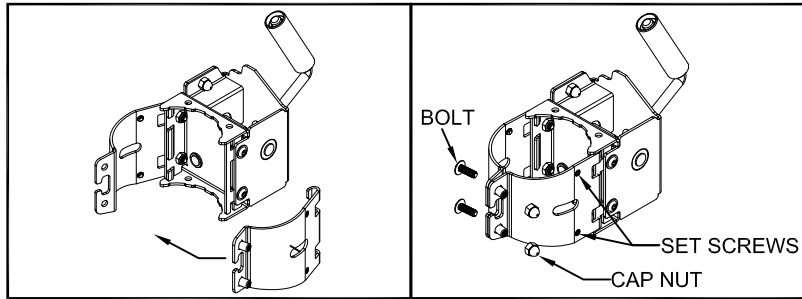
VOLLEYBALL NET HEIGHTS						
SCHOLASTIC LEVELS	GIRLS / WOMEN			BOYS / MEN		
	A	B	C	A	B	C
AGES 12 YEARS AND UNDER	7'-0"	7'-0 <sup>3</sup> / <sub>4</sub> "	7'-1 <sup>1</sup> / <sub>8</sub> "	7'-0"	7'-0 <sup>3</sup> / <sub>4</sub> "	7'-1 <sup>1</sup> / <sub>8</sub> "
GRADES 7 THRU 9 (MIDDLE SCHOOL)	7'-4 <sup>1</sup> / <sub>8</sub> "	7'-4 <sup>7</sup> / <sub>8</sub> "	7'-5 <sup>1</sup> / <sub>4</sub> "	7'-4 <sup>1</sup> / <sub>8</sub> "	7'-4 <sup>7</sup> / <sub>8</sub> "	7'-5 <sup>1</sup> / <sub>4</sub> "
GRADES 7 THRU 9 (Jr. HIGH SCHOOL)	7'-4 <sup>1</sup> / <sub>8</sub> "	7'-4 <sup>7</sup> / <sub>8</sub> "	7'-5 <sup>1</sup> / <sub>4</sub> "	7'-11 <sup>5</sup> / <sub>8</sub> "	8'-0 <sup>3</sup> / <sub>8</sub> "	8'-0 <sup>3</sup> / <sub>4</sub> "
GRADES 9 THRU COLLEGIATE	7'-4 <sup>1</sup> / <sub>8</sub> "	7'-4 <sup>7</sup> / <sub>8</sub> "	7'-5 <sup>1</sup> / <sub>4</sub> "	7'-11 <sup>5</sup> / <sub>8</sub> "	8'-0 <sup>3</sup> / <sub>8</sub> "	8'-0 <sup>3</sup> / <sub>4</sub> "

**IMPORTANT NOTE** - Check net height settings at both court lines to ensure that net is level before applying net height labels on inside upright assembly.

**CAUTION** - Net height dimensions given allow for maximum allowable net sag. Overtightening of the net could cause possible equipment damage or failure, and void all warranties.

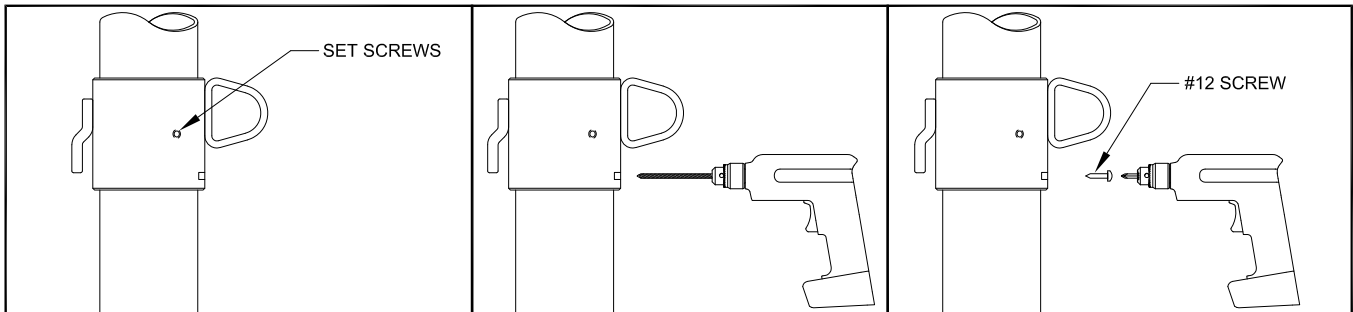
1. Unpack all parts and check against parts list to ensure that all have been included. **Tools required** - tape measure, drill with 3/16" drill bit.

2. Attach winch (3) using instructions provided in the winch box.



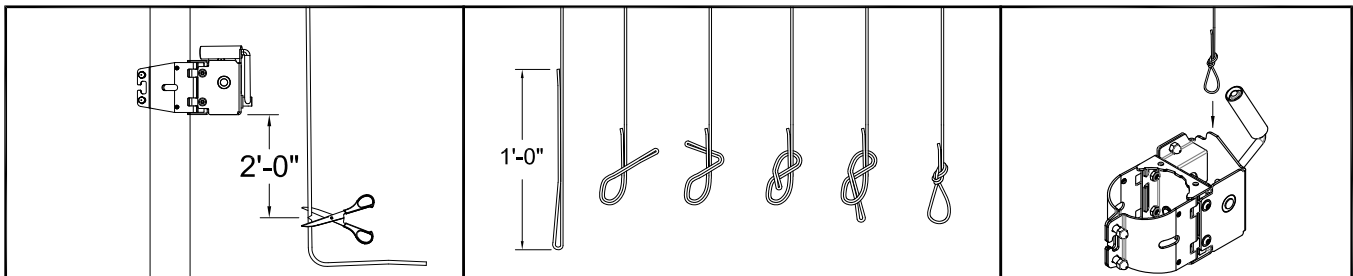
3. Slide the net tie-off sleeve (5) onto outside upright assembly (2) from bottom, with net cable hook facing downward as shown. Locate top of net tie-off sleeve (5) about 51" from bottom of upright, in line with pulley sheave on inside upright assembly (1). Tighten two set screws securely.

Use the 1/4" hole in the net tie-off sleeve (5) as a guide and drill a 3/16" hole through the upright (2). Insert #12 Phillips head screw and drill it in place. See detail on Page 1.

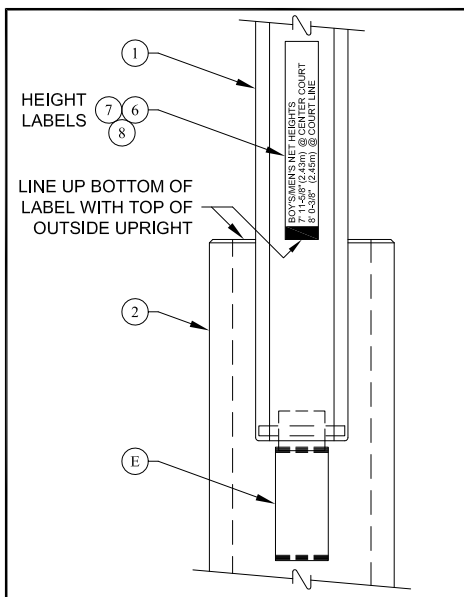


4. Place assembled standards in floor sleeves. Rotate standards until winch (3) and tie-off sleeve (5) are oriented as shown in the detail on Page 1.

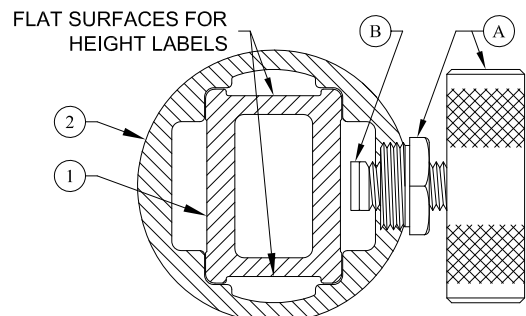
5. Attach the net using instructions provided in the net box



6. Adjust net to desired height by loosening pressure-locking T-handle on outside upright assembly (2). Slide inside upright assembly (1) up or down to desired net height, then re-tighten T-handle. See net height chart on page 1. Net height is measured at center of court. Note that a maximum of 3/4" net sag is allowed - net height can be 3/4" higher at court lines than at center of court. After proper net height is obtained, place appropriate height label onto inside upright assembly (1). Repeat above for all remaining net height settings.



REPLACEMENT PARTS LIST - No. 1991		
Item	DESCRIPTION	
A	HAND 00066 010	PRESSURE-LOCK ASSEMBLY
B	MISC 00147 000	PLASTIC BRAKE PAD FOR PRESSURE-LOCK ASSEMBLY
C		
D	PULY 00071 000	PULLEY SHEAVE
E	SPNG 00015 000	CONSTANT FORCE SPRING
F	ECAP 00022 102	MOLDED END CAP
G	HDWE 06100 0E0	#8 x 3/4" Lg. FLAT HEAD SHEET METAL SCREW



Section "A-A"  
No. 1991 END STANDARDS

## CAUTION

- Uprights are equipped with a spring counterbalance mechanism. Release the Pressure-Lock Assembly ONLY WHEN UPRIGHT IS IN THE VERTICAL POSITION.
- Do not over tighten the volleyball net, as damage to uprights may result and void all written or implied warranties.
- Cable tension must be released before adjusting net height. Failure to do so may cause damage to the equipment, or cause personal injury.

## WARNING

- Serious injuries, including permanent paralysis, can occur in volleyball. Such can be caused by falls on the head, neck and other parts of the body, or by running into unpadded volleyball standards. Approved upright padding is mandatory.
- While it cannot be eliminated, the risk of injuries can be greatly reduced by following proper safety guidelines and providing proper maintenance and safety inspections.

## GENERAL MAINTENANCE

- Inspect this equipment for wear, loose fittings, damage and proper stability before each use. Replace defective or worn parts immediately. If in doubt, do not use this equipment until repaired. Check pressure-lock assembly for wear and to ensure it is functioning properly.
- Lubricate threaded studs on pressure-lock assembly and tension winch periodically (at least twice a year) to minimize wear and to ensure proper operation.

## STORAGE

- Under no circumstances should volleyball standards be stored leaning against a wall or other rigid objects.
- Lay posts down unless they can be securely fastened to a stable object or properly positioned in a storage rack specifically designed for volleyball standards.

THIS WARNING IS GIVEN IN COMPLIANCE  
WITH CALIFORNIA'S PROPOSITION 65:  
**WARNING**  
This product contains chemicals known to the  
State of California to cause cancer, birth defects  
or other reproductive harm.

# porter<sup>®</sup>

**PORTER ATHLETIC, INC.**

601 MERCURY DRIVE, CHAMPAIGN, ILLINOIS 61822 USA

PHONE (888) 277-7778

FAX (217) 239-2255

[www.porterathletic.com](http://www.porterathletic.com)