

1. Unpack all parts to ensure that all items have been included. Volleyball uprights will ship assembled in 2 boxes:

- UPRT3091 - Tie Off Upright
- UPRT3091W - Winch Upright

Ground sleeves (3080), padding (3060xx), and net (2256) are sold separately.

2. Place standards into ground sleeves (see page 2). Height can be adjusted with pull pin.

3. Stretch net across court and place the net cable over the pulley on the uprights. Connect to the tie off and winch strap.

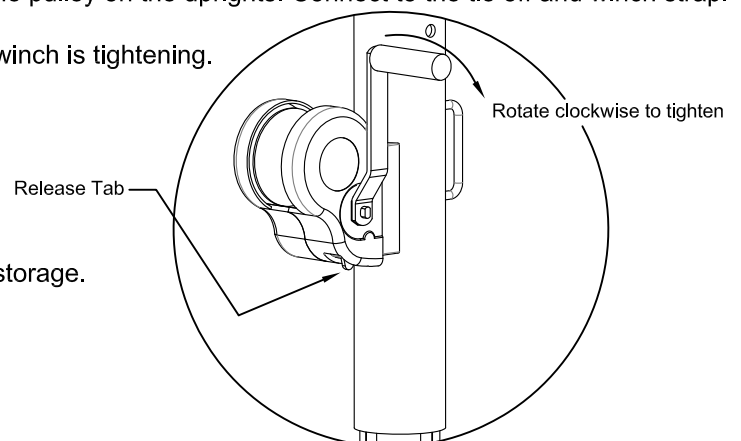
4. Tighten net as shown. You will hear clicking when the winch is tightening.

To loosen the net, press the release tab in.

To re-tension, press pull the tab back out.

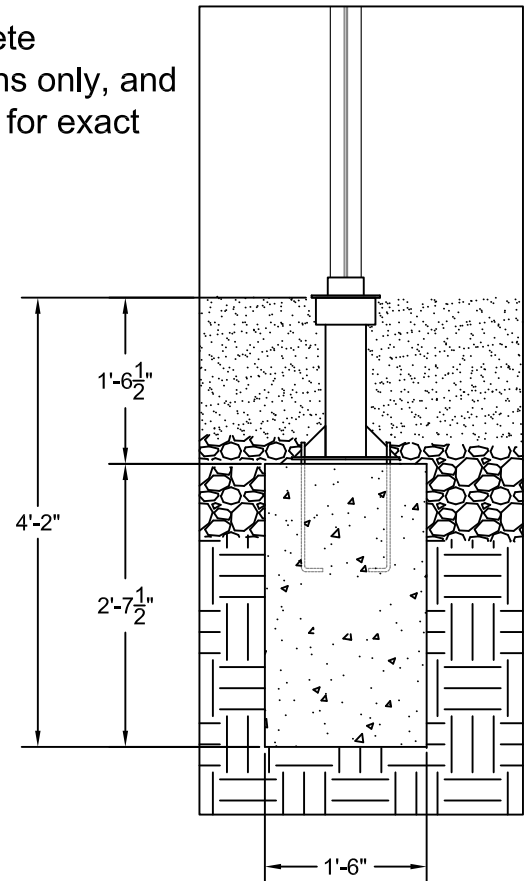
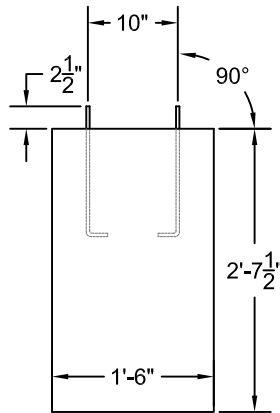
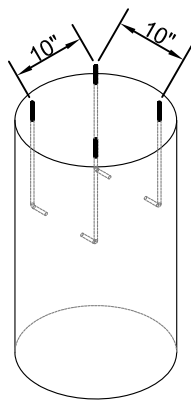
5. Once tensioned the winch handle can be removed for storage.

Attach and tighten net straps to complete installation.

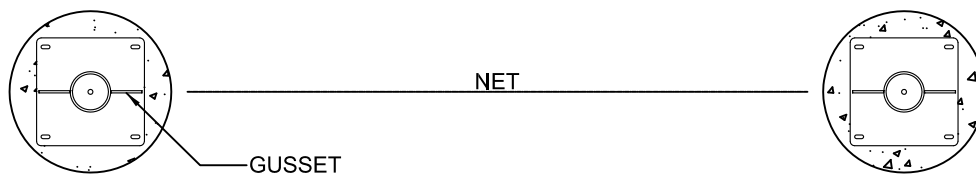


Local soil conditions will determine the actual size of concrete foundations. The following instructions are recommendations only, and should be considered minimums. Consult with the architect for exact placement of ground sleeves.

Locate the position of the ground sleeves according to plans and specs. Excavate a hole which is at least 1'-6" across and 2'-7 $\frac{1}{2}$ " deep. Set a form for a concrete foundation. A 1'-6" diameter cardboard tube or corrugated metal pipe is recommended. Insert J-Bolt anchors into concrete as shown below, 10"x10" square with 2 $\frac{1}{2}$ " of threads above the concrete. A template may be needed to keep anchors in alignment.

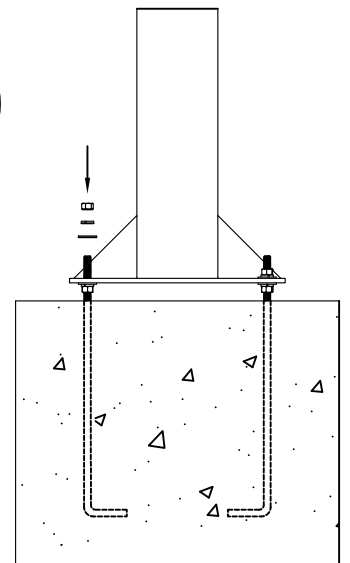


The concrete must be allowed to fully cure before installing the ground sleeves.



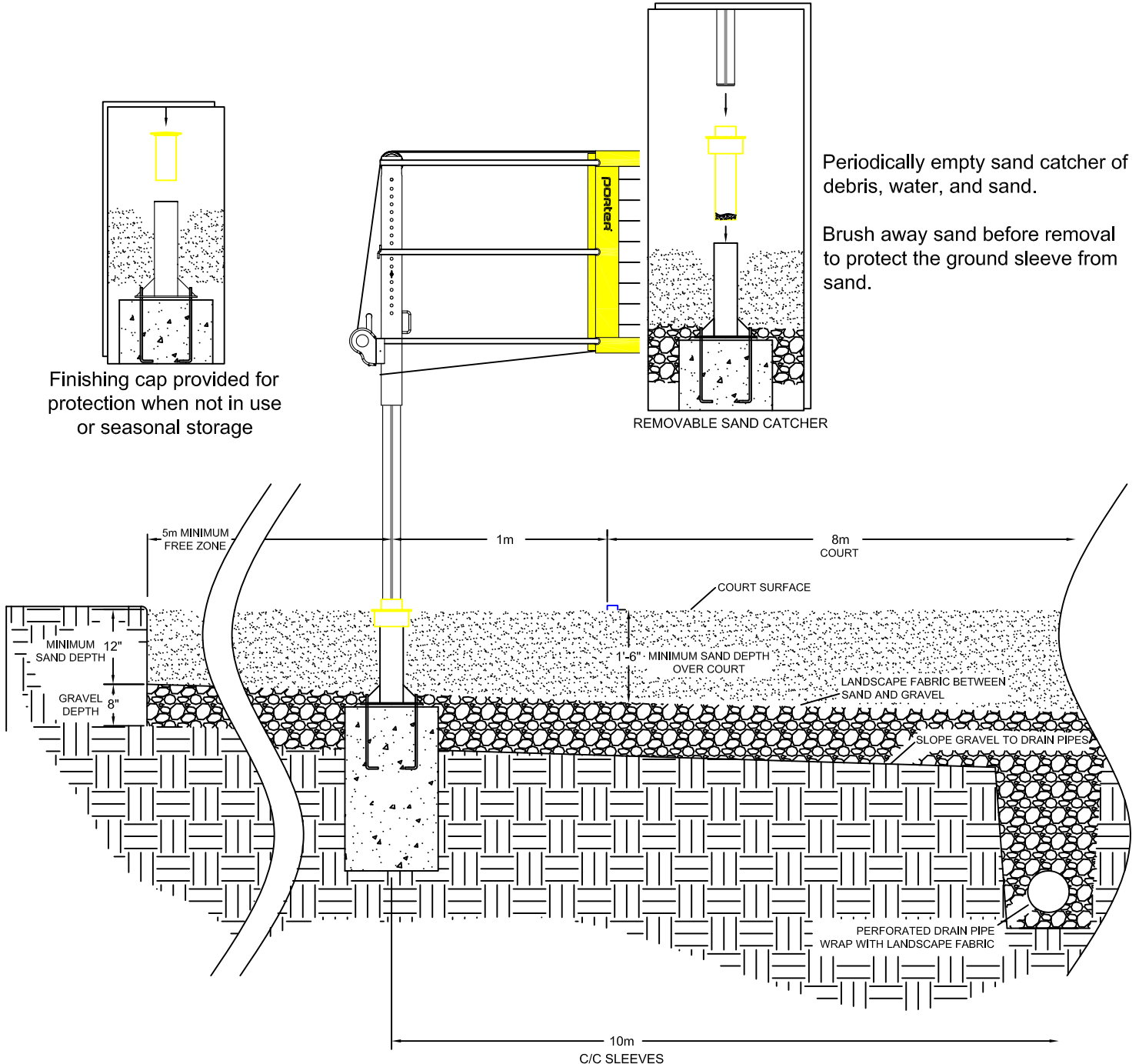
Once cured, install the ground sleeves as shown. Note that the gussets must face in towards the net and court.

Slotted holes in the ground sleeve plate are provided for final leveling of the sleeve.



The following layout is given for reference only. Layout, design, and cost of the court may be affected by location, soil characteristics, drainage, weather, type of sand, depth of sand, etc. Consult with the architect for final court dimensions and layout.

- NCAA court size: 8x16 meters for competitive doubles court
- Free zone: 5-6 meters on each side of court
- Vertical free space: 12.5 meters free from obstruction
- Depth of sand: recommended 1'-6" over court and 12" minimum



## **CAUTION**

- Do not over tighten the volleyball net, as damage to uprights or net may result and void all written or implied warranties.
- After equipment is installed, remove and store winch handle to prevent tampering or use by unauthorized personnel.
- Cable tension must be released before adjusting net height. Failure to do so may cause damage to the equipment, or cause personal injury.
- Keep organic material (dirt, sand, etc) away from the ground sleeve. Use the sand catcher or finishing cap at all times.

## **WARNING**

- Serious injuries, including permanent paralysis, can occur in volleyball. Such can be caused by falls on the head, neck and other parts of the body, or by running into unpadded volleyball standards.

## **APPROVED UPRIGHT PADDING IS ALWAYS MANDATORY.**

- While it cannot be eliminated, the risk of injuries can be greatly reduced by following proper safety guidelines and providing proper maintenance and safety inspections.
- The owner of this equipment is responsible to ensure that all individuals follow these safety and operating instructions to avoid injuries or property damage. Proper use and supervision of this equipment is essential to help reduce the possibility of accidents.

## **GENERAL MAINTENANCE**

- Inspect this equipment for wear, corrosion, loose fittings, damage and proper stability before each use. Replace defective or worn parts immediately. If in doubt, do not use this equipment until repaired. Check winch assembly for wear and to ensure it is functioning properly.
- Lubricate tension winch periodically (at least twice a year) to minimize wear and to ensure proper operation.
- Always remove sand/debris from upright poles and winch.
- Periodically empty sand catcher of debris, water, and sand.

## **STORAGE**

- Under no circumstances should volleyball standards be stored leaning against a wall or other rigid objects.
- Lay posts down unless they can be securely fastened to a stable object or properly positioned in a storage rack specifically designed for volleyball standards.
- Remove posts, net, and padding during inclement weather.
- For seasonal storage, keep all parts indoors.

THIS WARNING IS GIVEN IN COMPLIANCE  
WITH CALIFORNIA'S PROPOSITION 65:  
**WARNING**  
This product contains chemicals known to the  
State of California to cause cancer, birth defects  
or other reproductive harm.