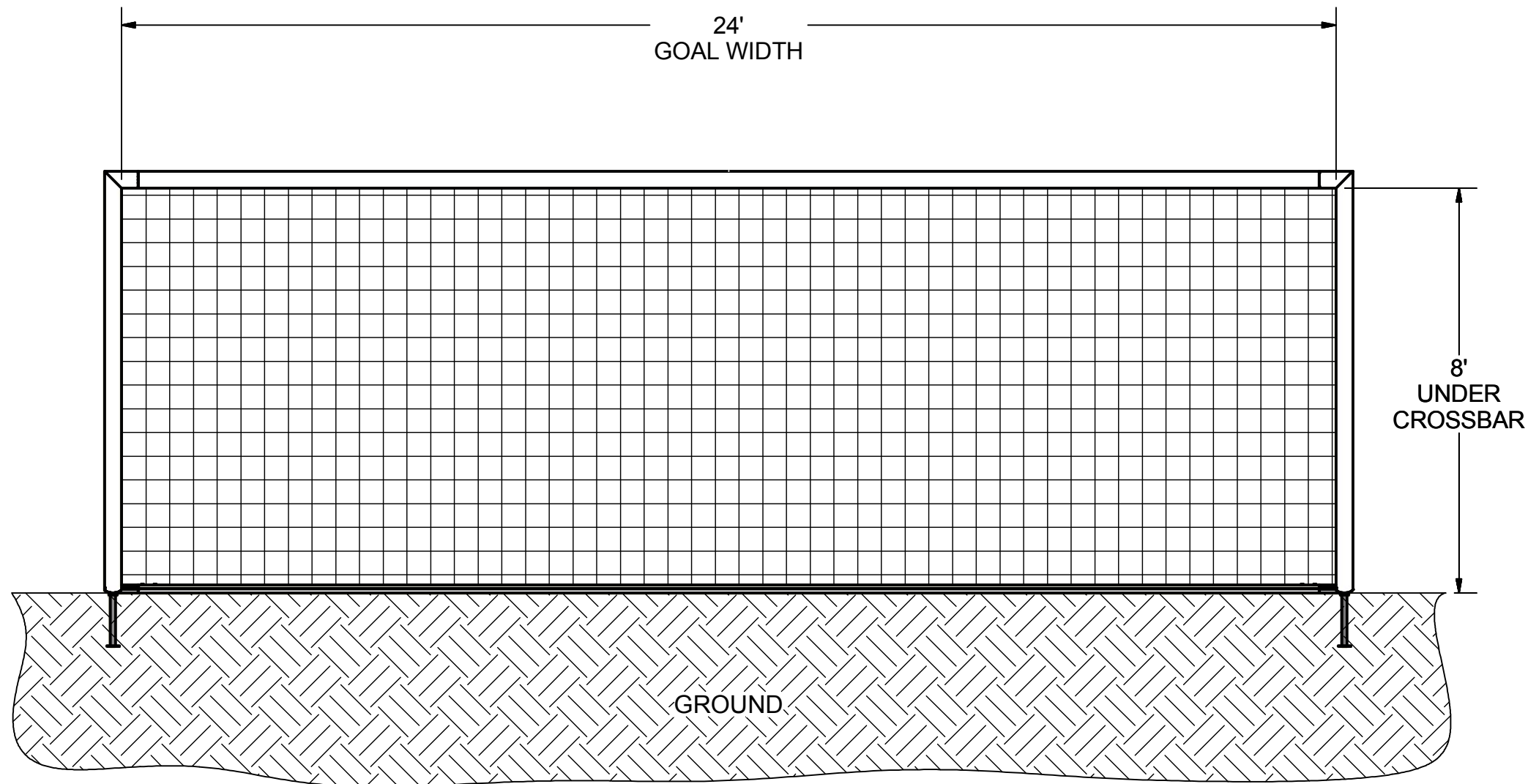
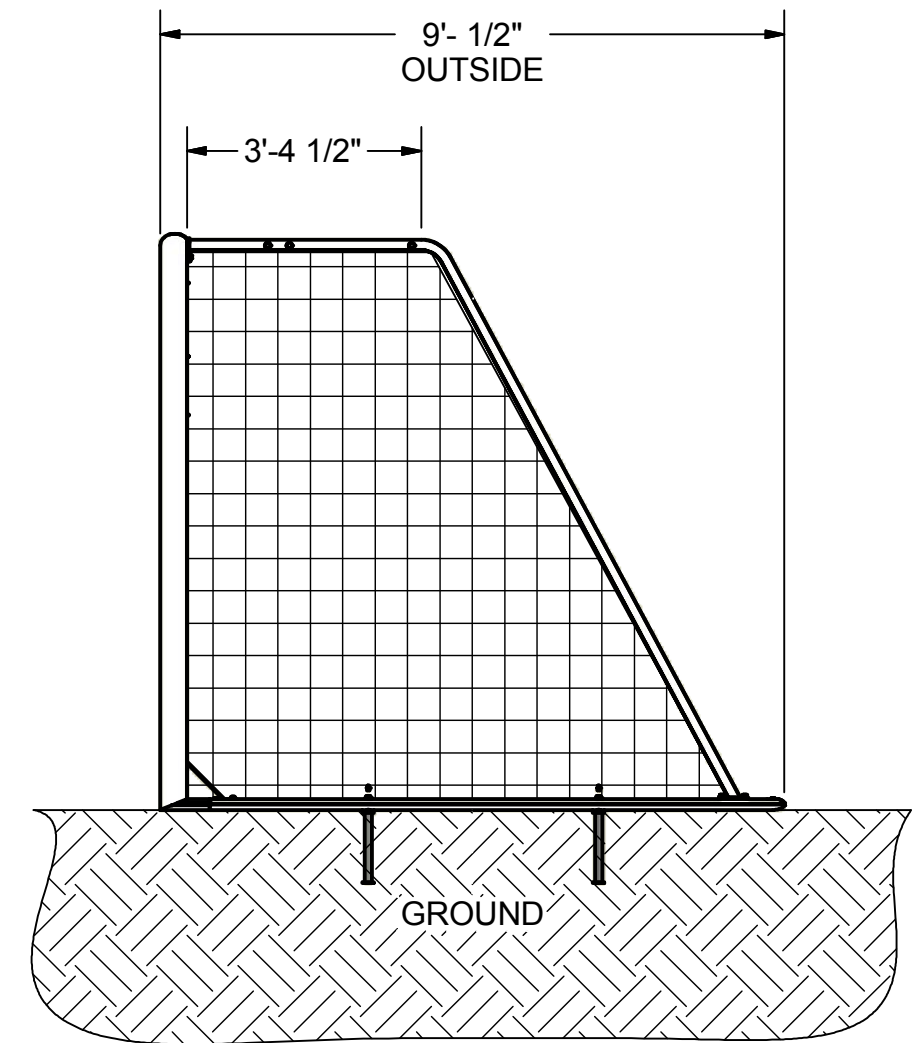


FRONT VIEW

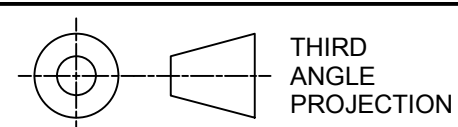


SIDE VIEW



FEATURES:

- 1) ALUMINUM GOAL FRAME AND BACKDROPS
- 2) FINISH: WHITE POWDER COAT
- 3) INCLUDED:
 - SEMIPERMANENT GROUND ANCHORS
 - 3 mm, BLACK & WHITE NET
 - KWIK LOCK® NET CLIPS
- 4) ASSEMBLED GOAL WEIGHT: 185 LBS.
- 5) EXCEEDS:
 - NCAA SPECIFICATIONS
 - NFSHSA SPECIFICATIONS
 - ASTM F2950-14 STANDARDS



DIMENSIONS ARE IN INCHES
UNLESS OTHERWISE SPECIFIED

This item is the **exclusive** property of **KWIK GOAL LTD.** Reproduction or duplication **without** the express written consent of **KWIK GOAL LTD.** is **strictly forbidden.**



Approved By:
Date:

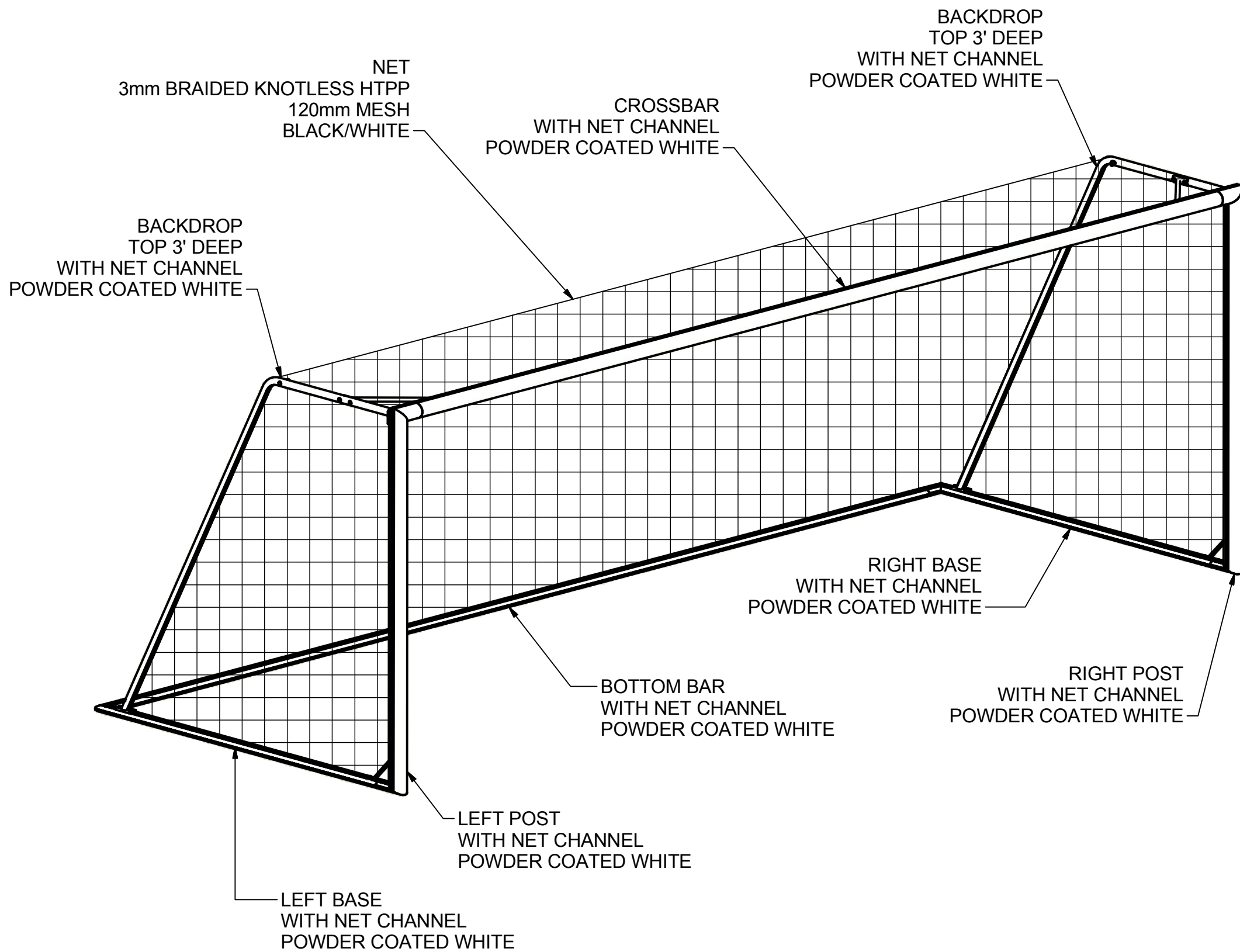
Drawn By: CSpeck
Date: 6/20/2003

Sheet: 1 of 4
Revision #: 9

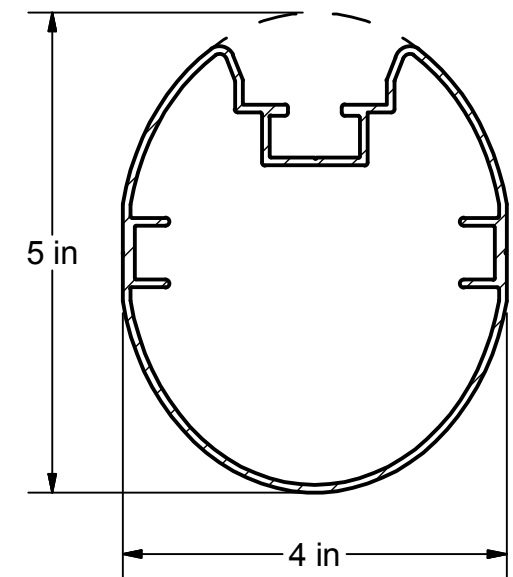
Cad File: 2B3306.idw

Part #:
2B3306

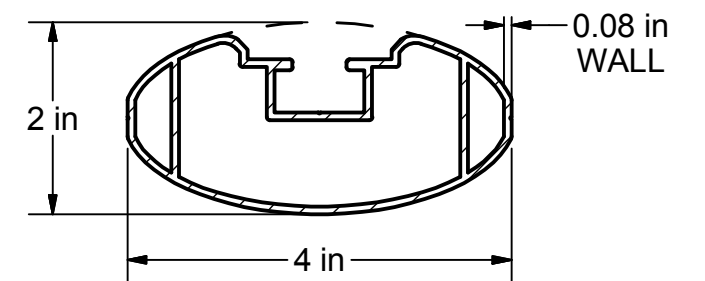
Desc:
8' x 24'
EVOLUTION 1.1 GOAL



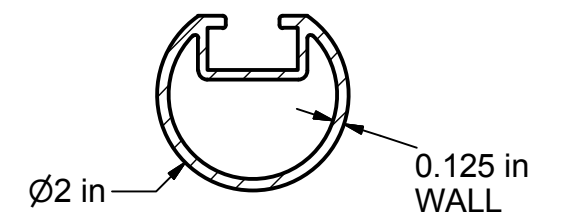
MATERIAL DETAILS



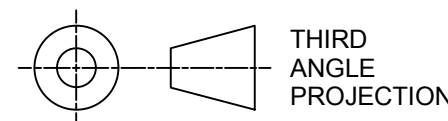
POSTS & CROSSBAR MATERIAL - ALUMINUM



BOTTOM BAR & BASES MATERIAL - ALUMINUM



BACKDROP MATERIAL - ALUMINUM



KWIKGOAL® 140 Pacific Drive
Quakertown, Pa. 18951

DIMENSIONS ARE IN INCHES UNLESS OTHERWISE SPECIFIED

Approved By:
Date:

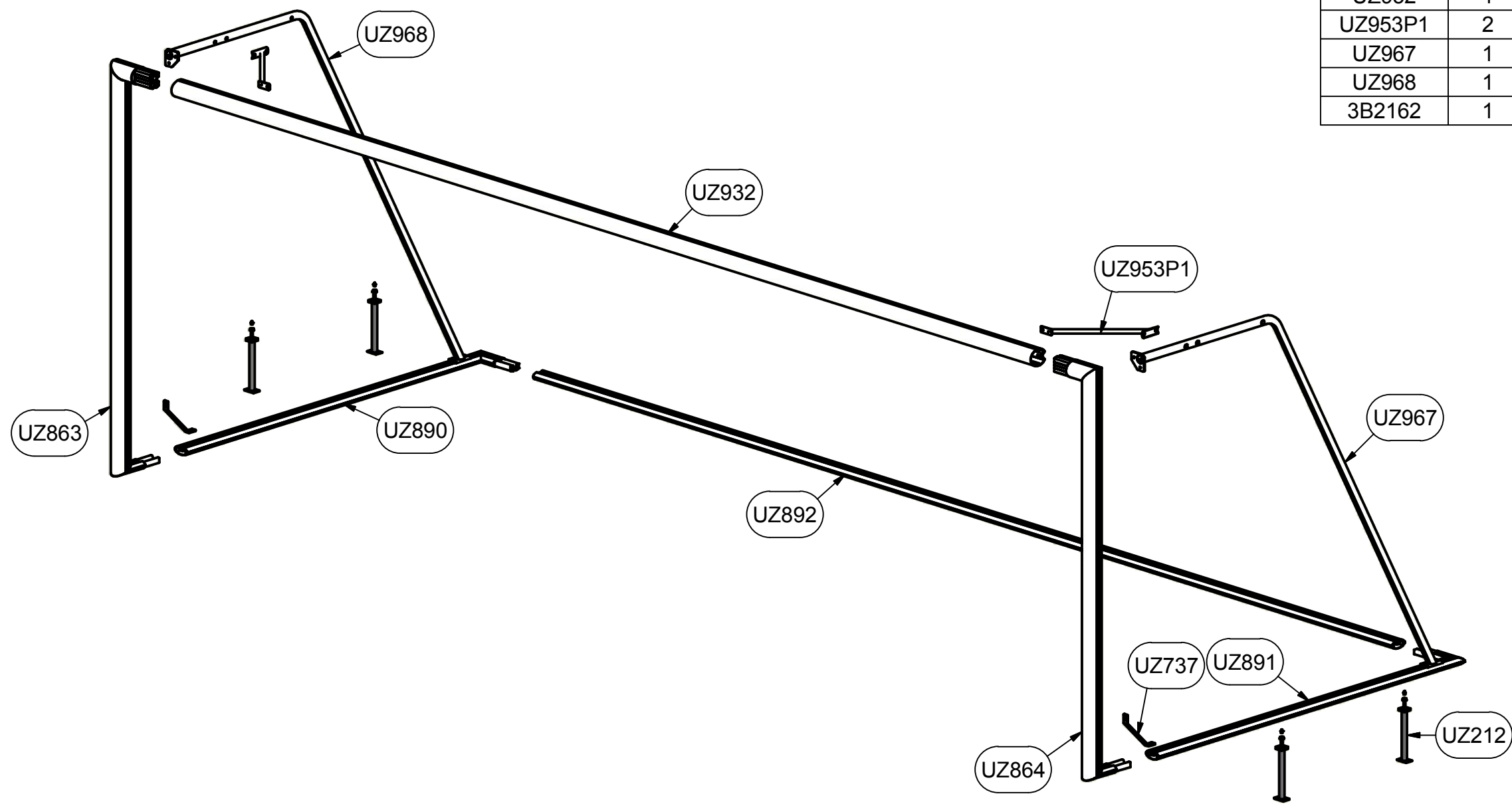
Part #:
2B3306

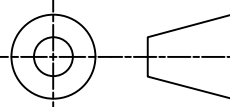

This item is the **exclusive** property of **KWIK GOAL LTD.** Reproduction or duplication **without** the express written consent of **KWIK GOAL LTD.** is **strictly forbidden.**

Drawn By: CSpeck
Date: 6/20/2003
Sheet: 3 of 4
Revision #: 9
Cad File: 2B3306.idw

Desc:
8' x 24'
EVOLUTION 1.1 GOAL

Parts List		
Part #	Qty	Description
UZ212	4	GROUND ANCHOR ASSEMBLY
UZ737	2	POST BRACE
UZ863	1	LEFT POST, 2B3306
UZ864	1	RIGHT POST, 2B3306
UZ890	1	LEFT BASE, 2B3306
UZ891	1	RIGHT BASE, 2B3306
UZ892	1	BACK BOTTOM BAR, 2B3306
UZ932	1	CROSSBAR
UZ953P1	2	BACKDROP BRACE
UZ967	1	BACKDROP, EVOLUTION, RIGHT SIDE
UZ968	1	BACKDROP, EVOLUTION, LEFT SIDE
3B2162	1	NET, SOCCER GOAL



 <p>THIRD ANGLE PROJECTION</p>	 <p>140 Pacific Drive Quakertown, Pa. 18951</p>	
	<p>DIMENSIONS ARE IN INCHES UNLESS OTHERWISE SPECIFIED</p>	<p>Approved By:</p> <p>Date:</p>
<p>This item is the exclusive property of KWIK GOAL LTD. Reproduction or duplication without the express written consent of KWIK GOAL LTD. is strictly forbidden.</p>	<p>Drawn By: CSpeck</p>	<p>Desc:</p> <p>8' x 24' EVOLUTION 1.1 GOAL</p>
	<p>Date: 6/20/2003</p>	
	<p>Sheet: 4 of 4</p>	
	<p>Revision #: 9</p>	
	<p>Cad File: 2B3306.idw</p>	