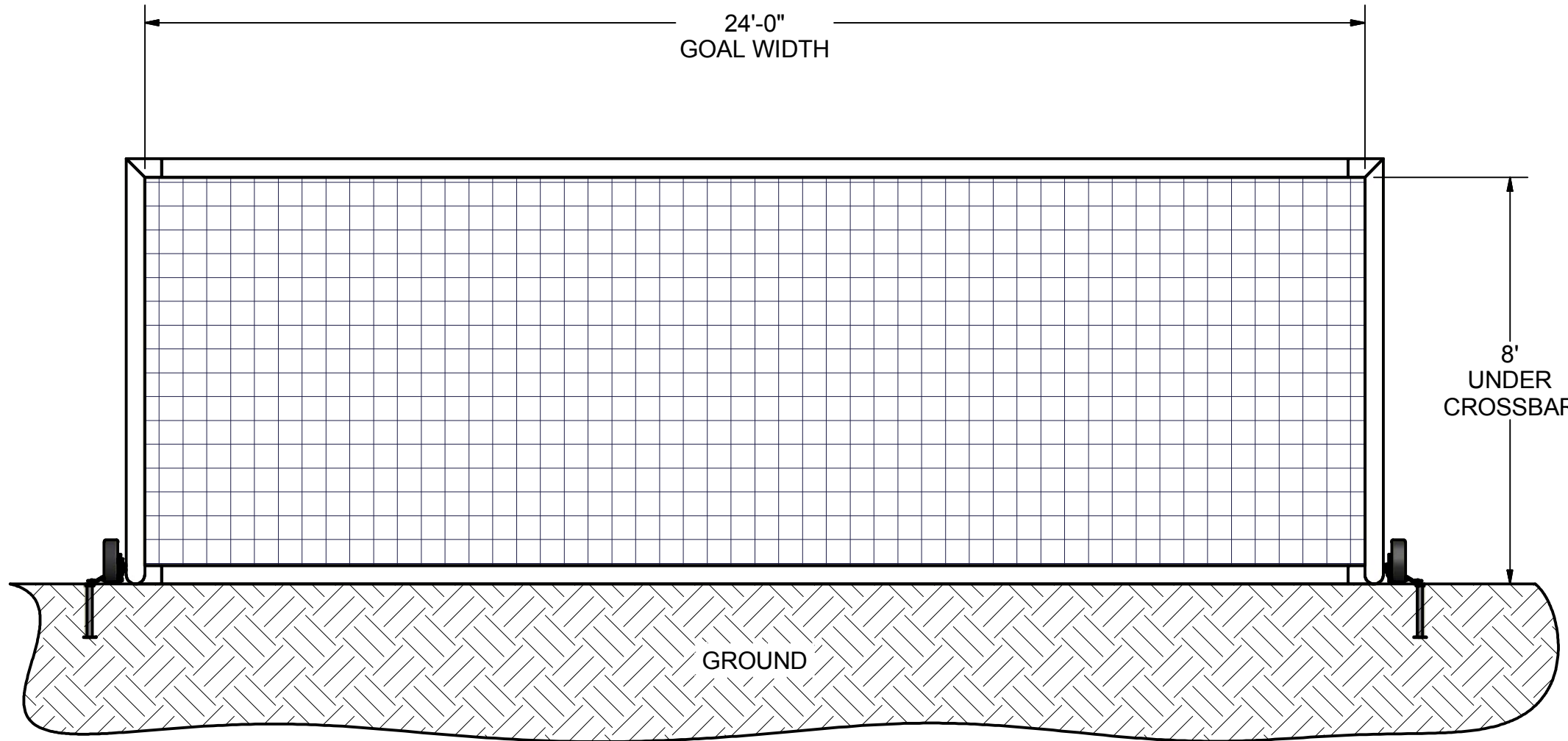
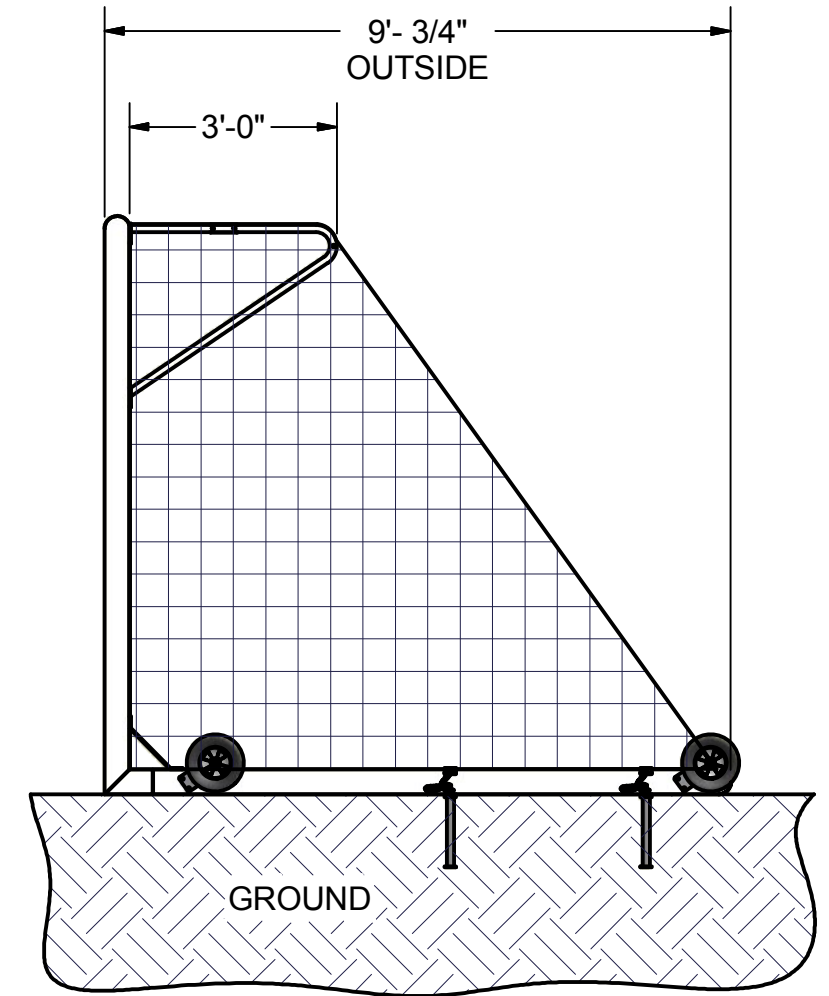


FRONT VIEW

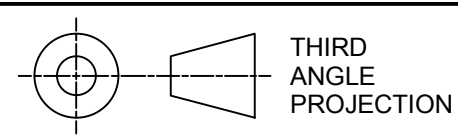


SIDE VIEW



FEATURES:

- 1) ALUMINUM GOAL FRAME AND BACKSTAYS
- 2) FINISH: WHITE POWDER COAT
- 3) INCLUDED:
 - SEMI PERMANENT GROUND ANCHORS
 - 3 mm, WHITE NET
 - KWIK LOCK NET CLIPS
 - 4 NO-FLAT TIRES
 - 6 SADDLE ANCHOR BAGS
- 4) ASSEMBLED GOAL WEIGHT: 258 LBS.
- 5) EXCEEDS:
 - NCAA SPECIFICATIONS
 - NFSHSA SPECIFICATIONS
 - ASTM F2950-14 STANDARDS



DIMENSIONS ARE IN INCHES
UNLESS OTHERWISE SPECIFIED

This item is the **exclusive** property of **KWIK GOAL LTD.** Reproduction or duplication **without** the express written consent of **KWIK GOAL LTD.** is **strictly forbidden.**



Approved By:

Date:

Drawn By: brush

Date: 3/5/2003

Sheet: 1 of 4

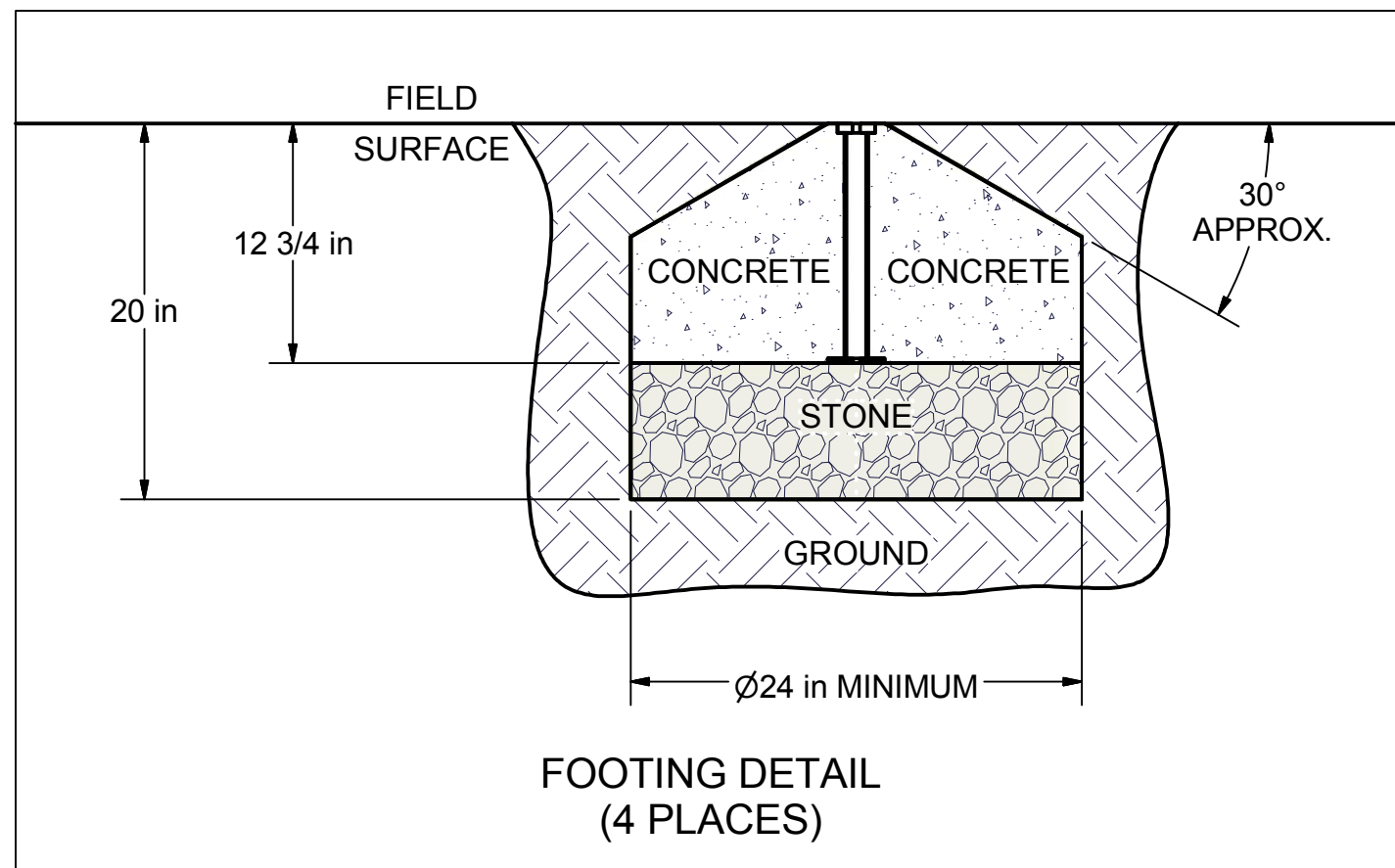
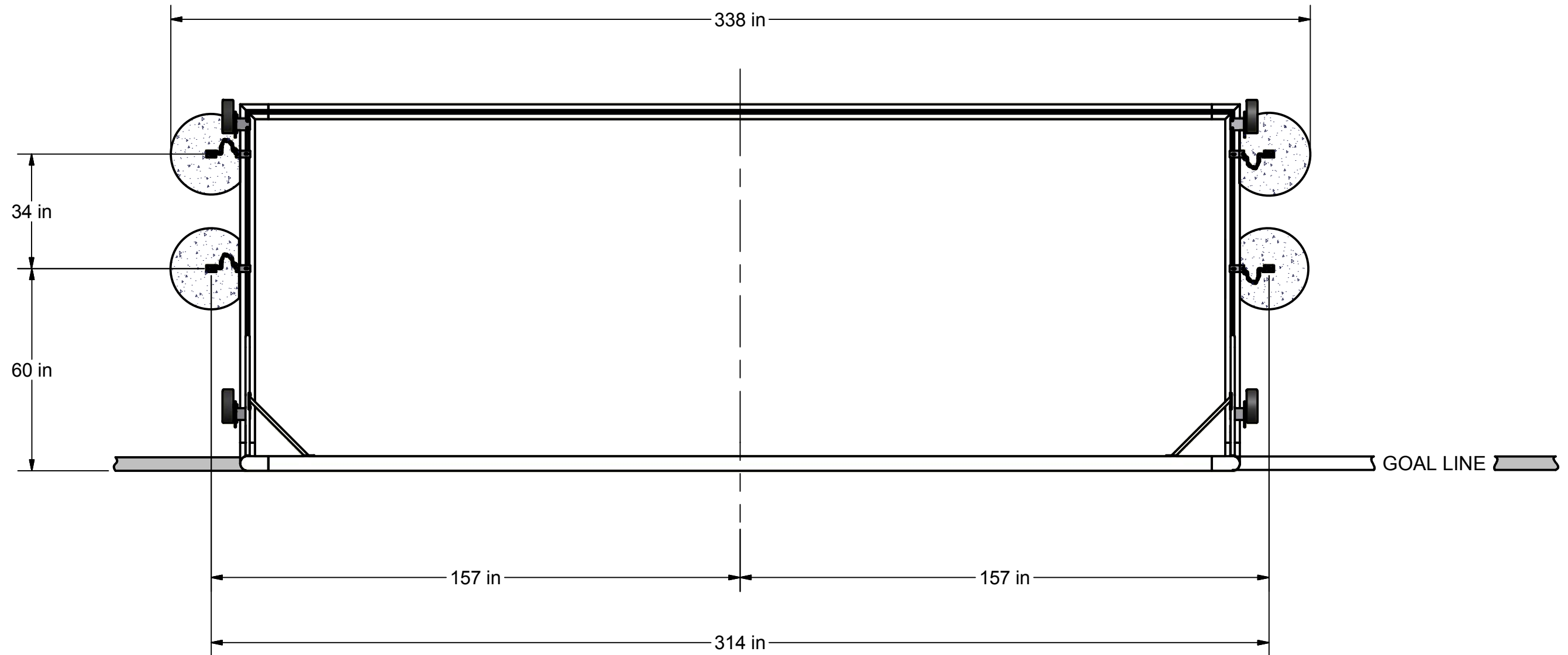
Revision #: 4

Cad File: 2B2001.idw

Part #:
2B2001

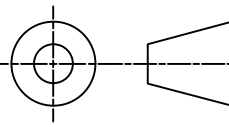

Desc:
8' X 24' PRO PREMIER
EUROPEAN MATCH GOAL

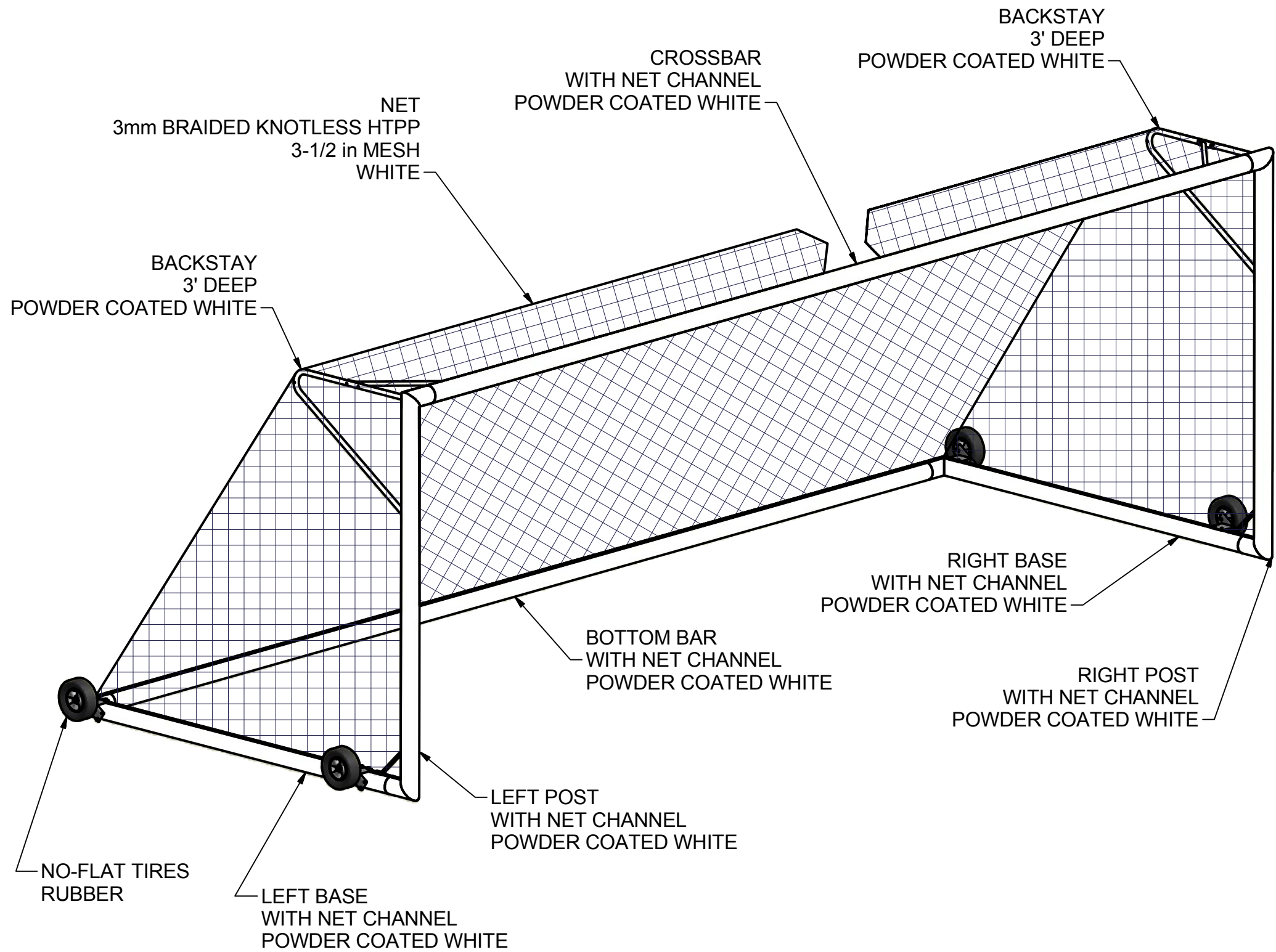
OVERHEAD VIEW



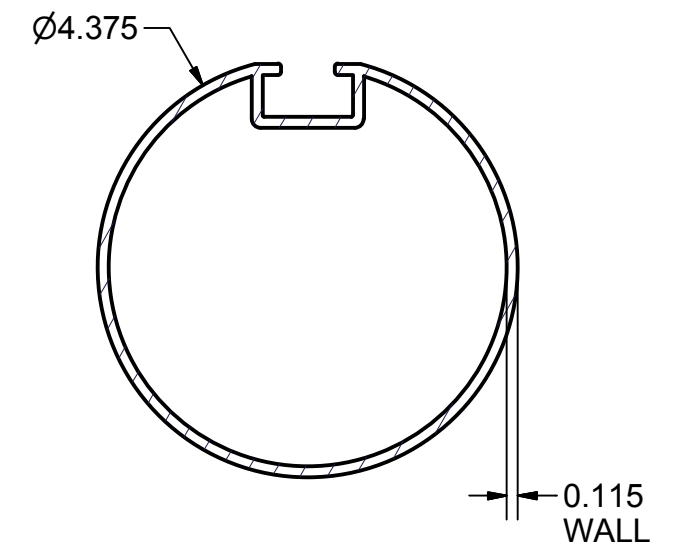
NOTES:

- 1) DIMENSIONS ARE FOR PLANNING PURPOSES. INSTALLATION MUST BE IN ACCORDANCE WITH INSTALLATION INSTRUCTIONS.
 - 2) CUSTOMER SUPPLIED MATERIALS FOR GOAL INSTALLATION
 - 0.5 CUBIC YARD - CONCRETE
 - 0.3 CUBIC YARD - CLEAN STONE (1/4" - 3/4")
- ALL QUANTITIES ARE FOR ONE GOAL

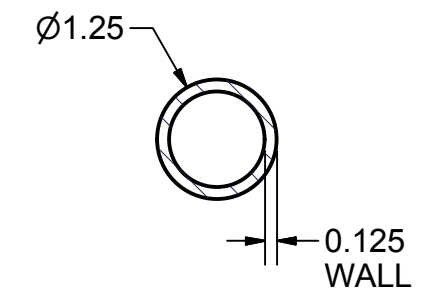
| | | |
|--|--|--|
|  <p>THIRD ANGLE PROJECTION</p> |  <p>140 Pacific Drive Quakertown, Pa. 18951</p> | |
| <p>DIMENSIONS ARE IN INCHES UNLESS OTHERWISE SPECIFIED</p> | <p>Approved By:</p> | <p>Part #:</p> <p style="font-size: 1.5em; font-weight: bold;">2B2001</p> |
| | <p>Date:</p> | |
| <p>This item is the exclusive property of KWIK GOAL LTD. Reproduction or duplication without the express written consent of KWIK GOAL LTD. is strictly forbidden.</p> | <p>Drawn By: brush</p> | <p>Desc:</p> <p style="text-align: center;">8' X 24' PRO PREMIER EUROPEAN MATCH GOAL</p> |
| | <p>Date: 3/5/2003</p> | |
| | <p>Sheet: 2 of 4</p> | |
| | <p>Revision #: 4</p> | |
| | <p>Cad File: 2B2001.idw</p> | |



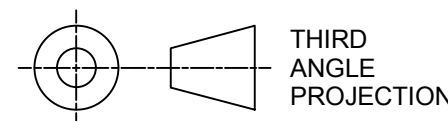
MATERIAL DETAILS



GOAL FRAME MATERIAL - ALUMINUM



BACKSTAYS MATERIAL - ALUMINUM



KWIKGOAL 140 Pacific Drive
Quakertown, Pa. 18951

DIMENSIONS ARE IN INCHES UNLESS OTHERWISE SPECIFIED

Approved By:
Date:

Part #: **2B2001**

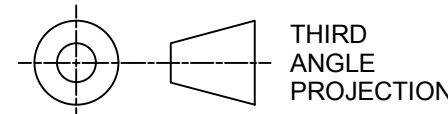
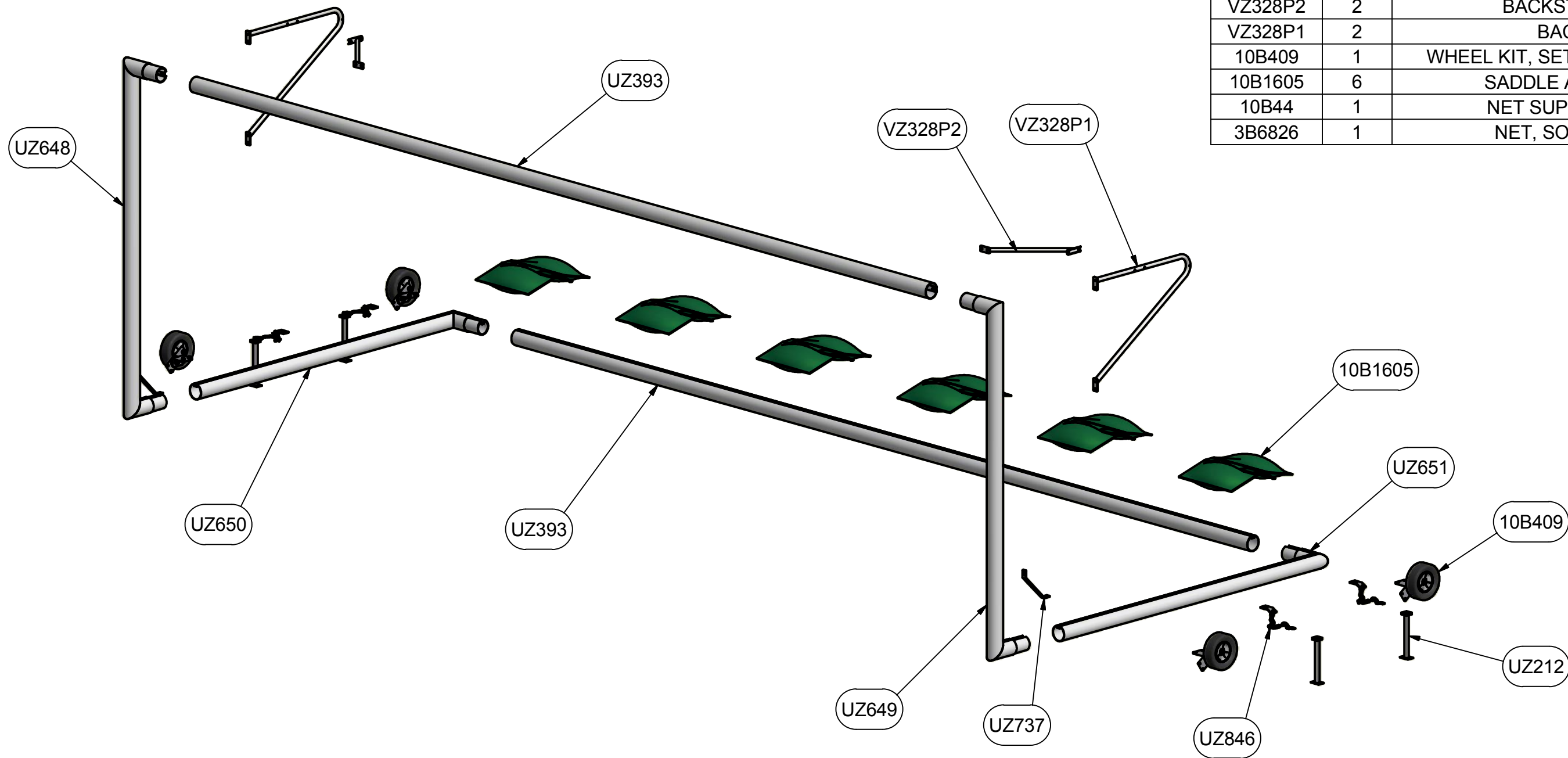
This item is the **exclusive** property of **KWIK GOAL LTD.** Reproduction or duplication **without** the express written consent of **KWIK GOAL LTD.** is **strictly forbidden.**

Drawn By: brush
Date: 3/5/2003
Sheet: 3 of 4
Revision #: 4
Cad File: 2B2001.idw

Desc: 8' X 24' PRO PREMIER EUROPEAN MATCH GOAL

PARTS LIST

| PART# | QTY | DESCRIPTION |
|---------|-----|-------------------------------|
| UZ393 | 2 | CROSSBAR |
| UZ649 | 1 | RIGHT POST, 2B2001 |
| UZ648 | 1 | LEFT POST, 2B2001 |
| UZ651 | 1 | RIGHT BASE, 2B2001 |
| UZ650 | 1 | LEFT BASE, 2B2001 |
| UZ212 | 4 | GROUND ANCHOR ASSEMBLY |
| UZ846 | 4 | CHAIN ASSY, GROUND ANCHOR |
| UZ737 | 2 | POST BRACE |
| VZ328P2 | 2 | BACKSTAY BRACE |
| VZ328P1 | 2 | BACKSTAY |
| 10B409 | 1 | WHEEL KIT, SET OF FOUR WHEELS |
| 10B1605 | 6 | SADDLE ANCHOR BAG |
| 10B44 | 1 | NET SUPPORT STRAP |
| 3B6826 | 1 | NET, SOCCER GOAL |



KWIK GOAL® 140 Pacific Drive
Quakertown, Pa. 18951

DIMENSIONS ARE IN INCHES
UNLESS OTHERWISE SPECIFIED

Approved By:
Date:

Part #:
2B2001

This item is the **exclusive** property of **KWIK GOAL LTD.** Reproduction or duplication **without** the express written consent of **KWIK GOAL LTD.** is **strictly forbidden.**

Drawn By: brush
Date: 3/5/2003
Sheet: 4 of 4
Revision #: 4
Cad File: 2B2001.idw

Desc:
8' X 24' PRO PREMIER EUROPEAN MATCH GOAL