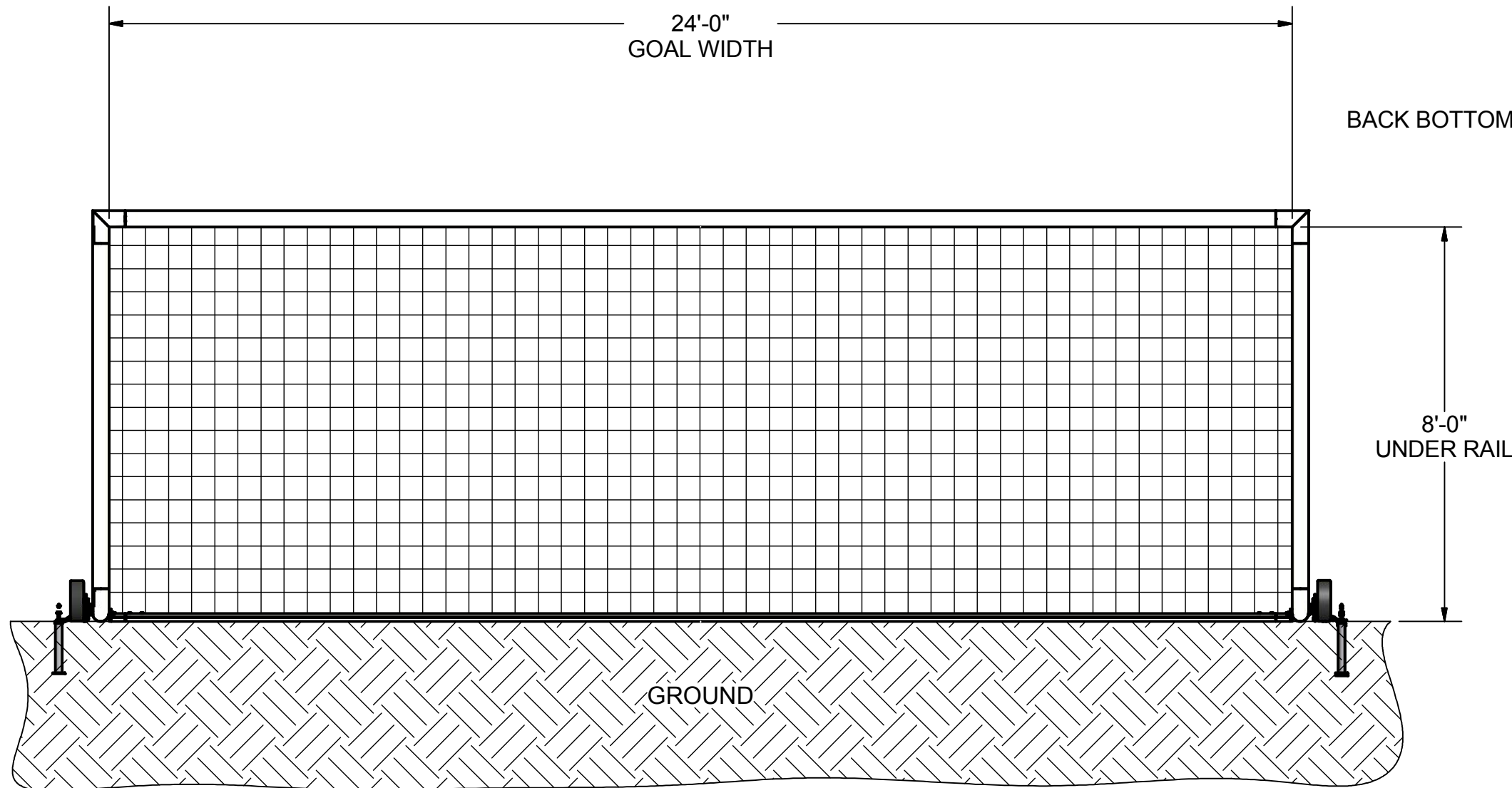
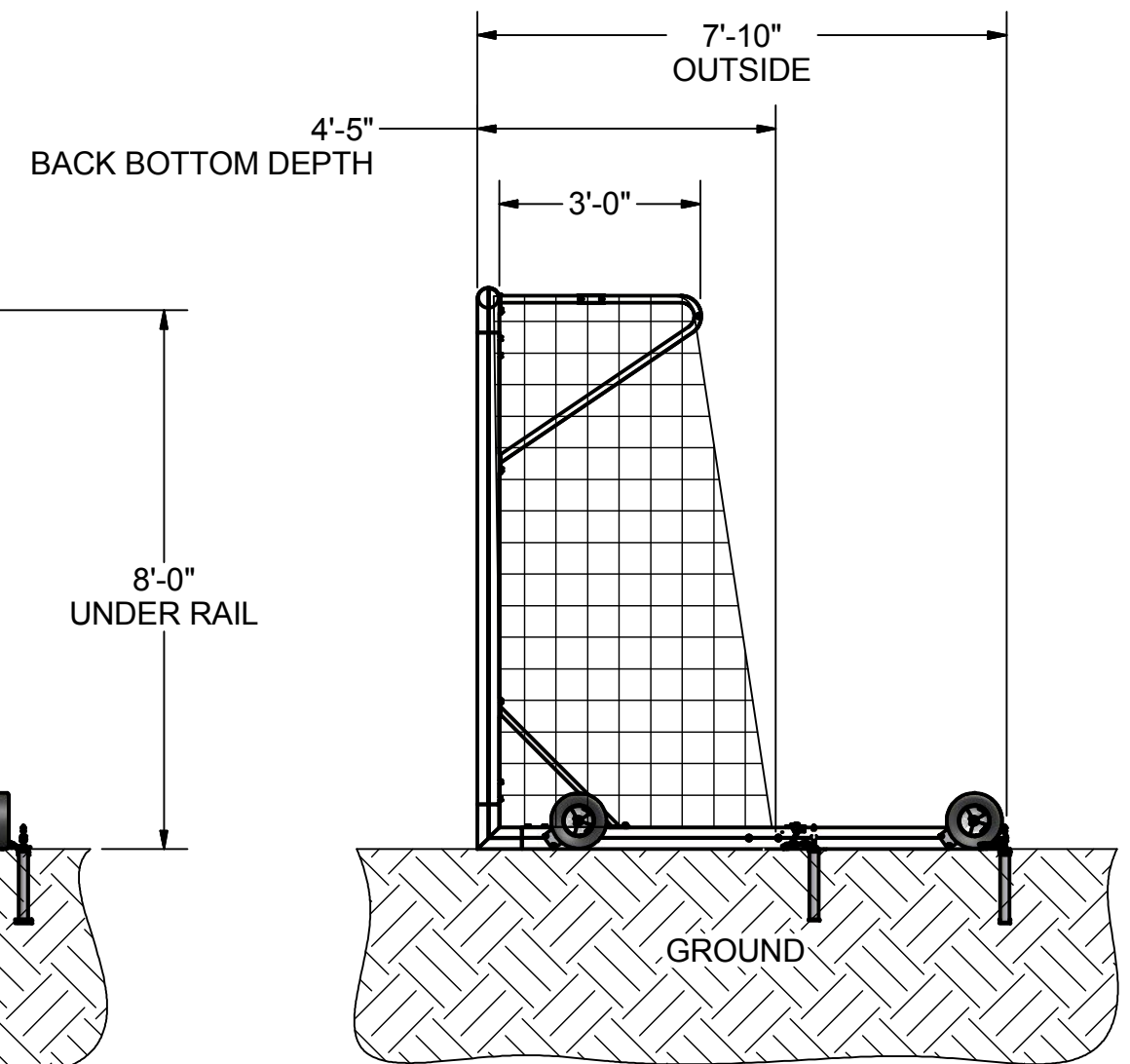


FRONT VIEW



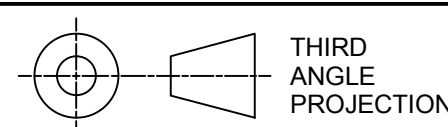
SIDE VIEW



FEATURES:

- 1) ALUMINUM GOAL FRAME AND BACKDROPS
- 2) FINISH: WHITE POWDER COAT
- 3) INCLUDED:
  - SEMI PERMANENT GROUND ANCHORS
  - 3 mm, WHITE NET
  - KWIK LOCK® NET CLIPS
  - 6 - SADDLE ANCHOR BAGS
- 4) ASSEMBLED GOAL WEIGHT: 275 LBS.
- 5) EXCEEDS:
  - NCAA SPECIFICATIONS
  - NFSHSA SPECIFICATIONS
  - ASTM F2056-00 STANDARDS
- 6) MODIFIED BACK BOTTOM BAR TO FIT CLEANLY IN FRONT OF FOOTBALL UPRIGHTS ON A SHARED SOCCER/FOOTBALL ENDLINE

**Finish Info.**



**KWIKGOAL**® 140 Pacific Drive  
Quakertown, Pa. 18951

DIMENSIONS ARE IN INCHES  
UNLESS OTHERWISE SPECIFIED

Approved By:

Part #:

Date:

**2B3906**

This item is the **exclusive** property of **KWIK GOAL LTD.** Reproduction or duplication **without** the express written consent of **KWIK GOAL LTD.** is **strictly forbidden.**

Drawn By: CSpeck

Desc:

Date: 9/1/2006

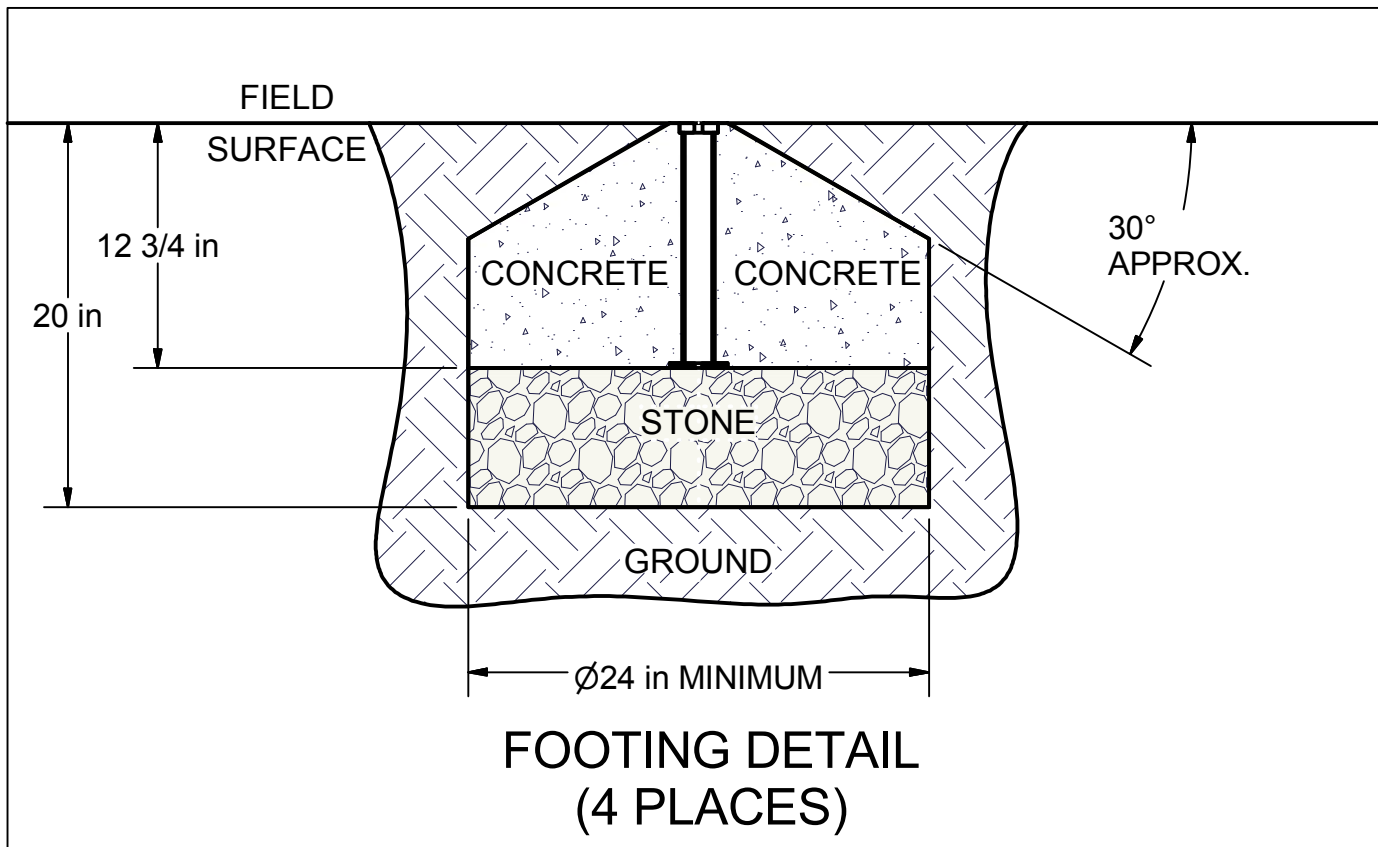
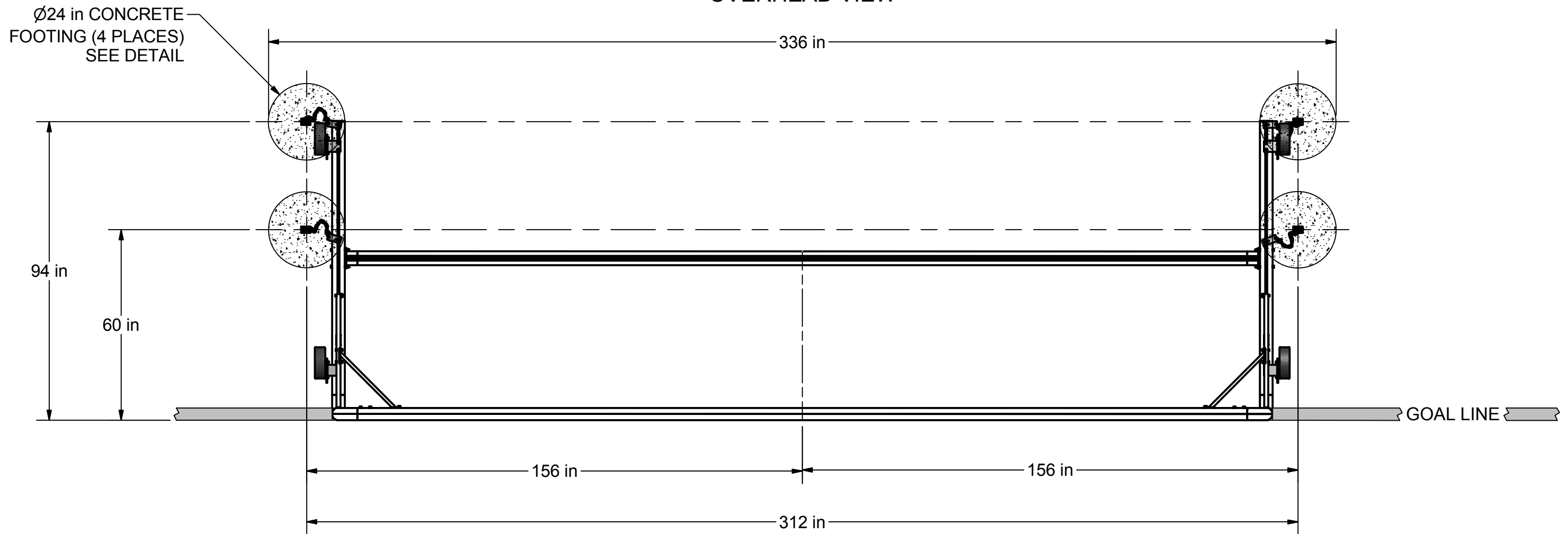
8' X 24' FUSION GOAL

Sheet: 1 of 4

Revision #: 5

Cad File: 2B3906.idw

OVERHEAD VIEW



NOTES:

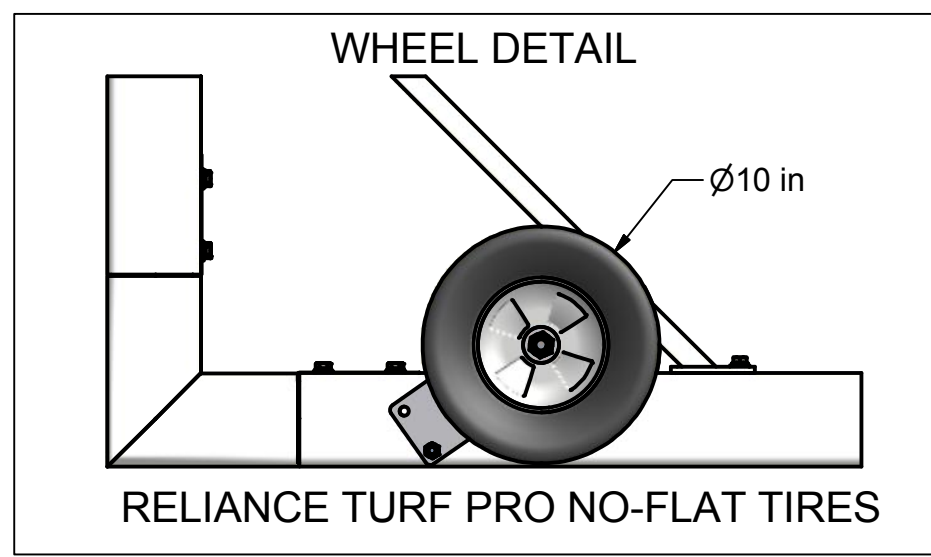
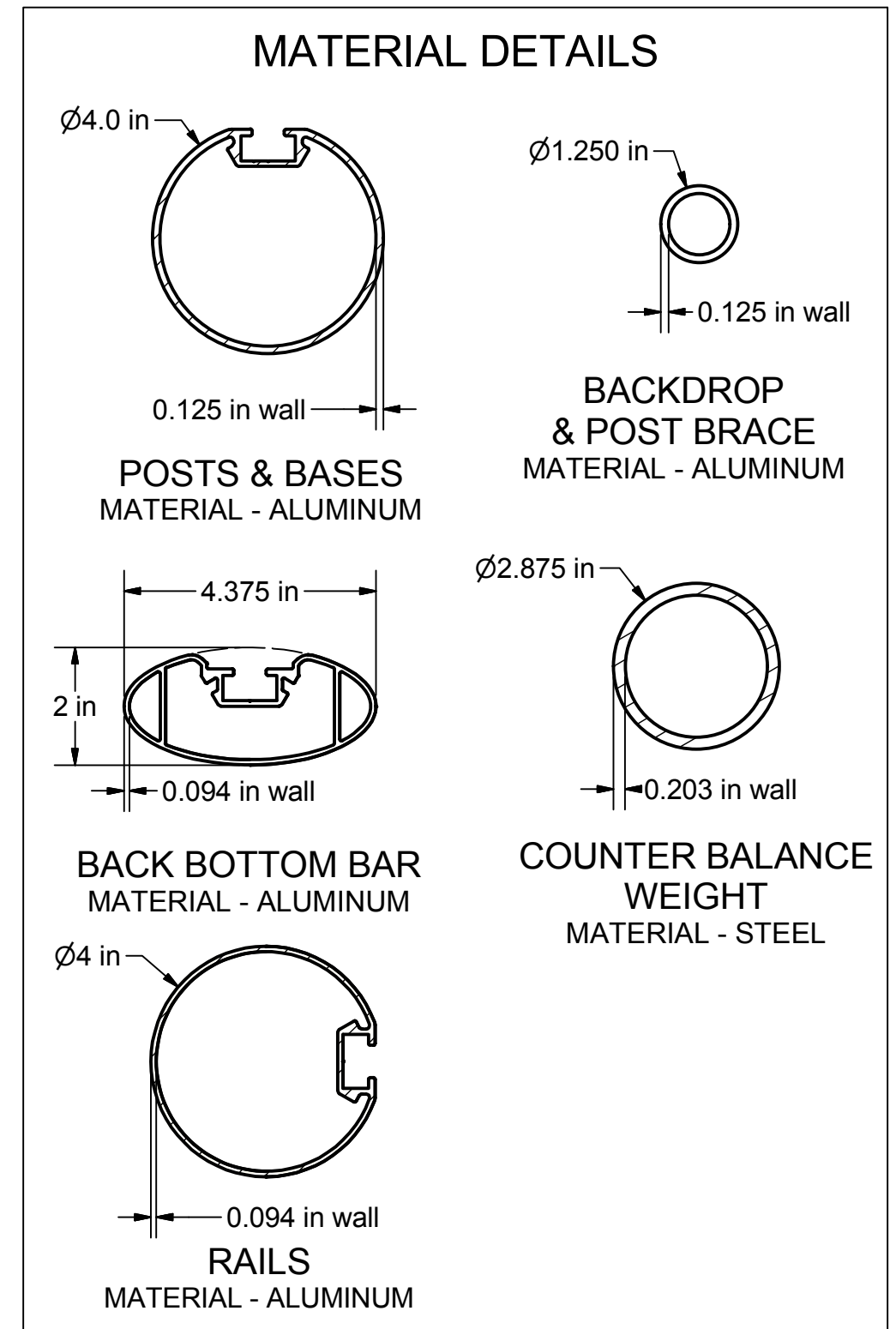
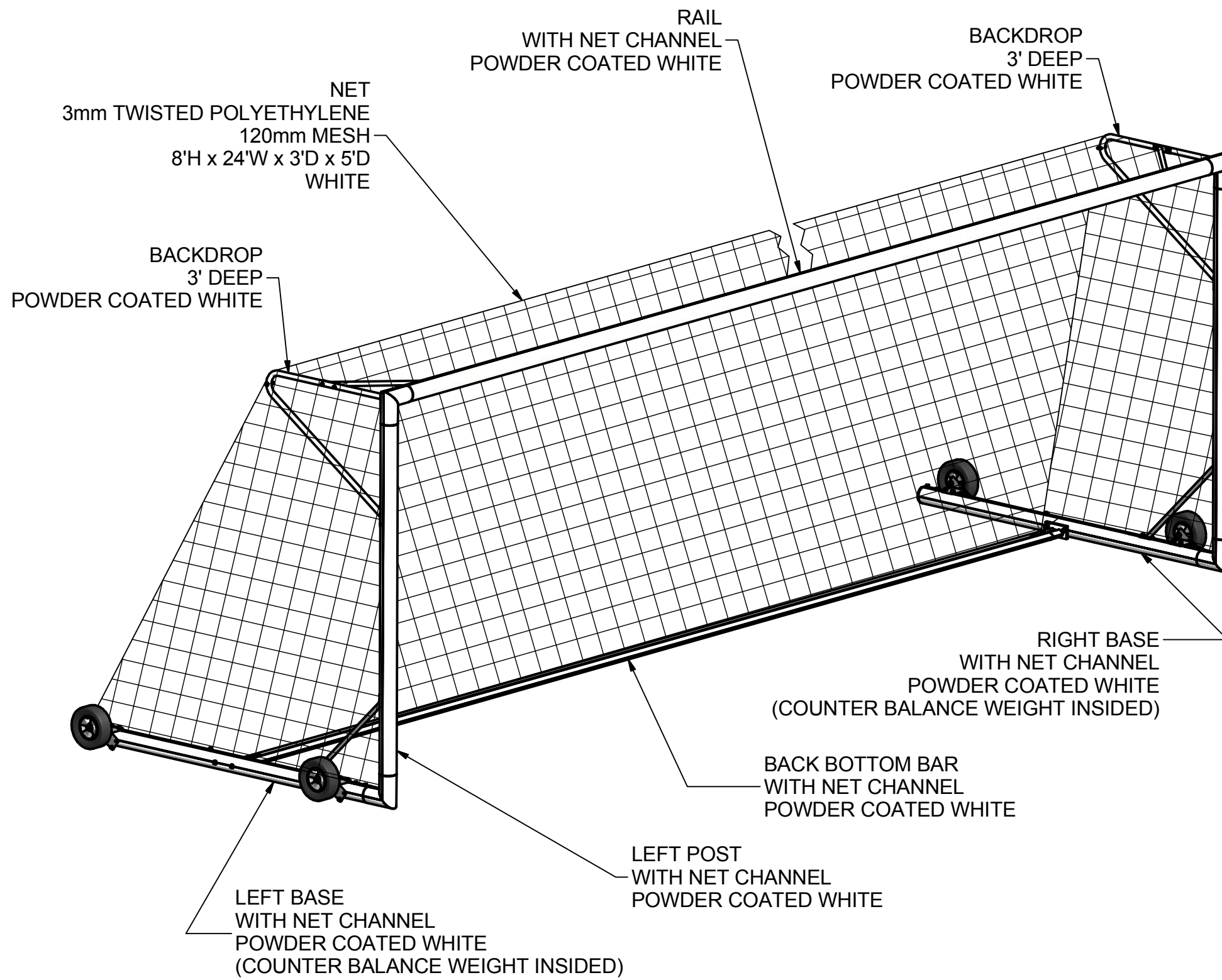
1) DIMENSIONS ARE FOR PLANNING PURPOSES. INSTALLATION MUST BE IN ACCORDANCE WITH INSTALLATION INSTRUCTIONS.

MATERIAL REQUIRED, BUT **NOT** SUPPLIED

0.5 cubic yard - CONCRETE  
 0.3 cubic yard - CLEAN STONE (1/4" - 3/4")  
 ABOVE AMOUNTS ARE PER GOAL INSTALLATION

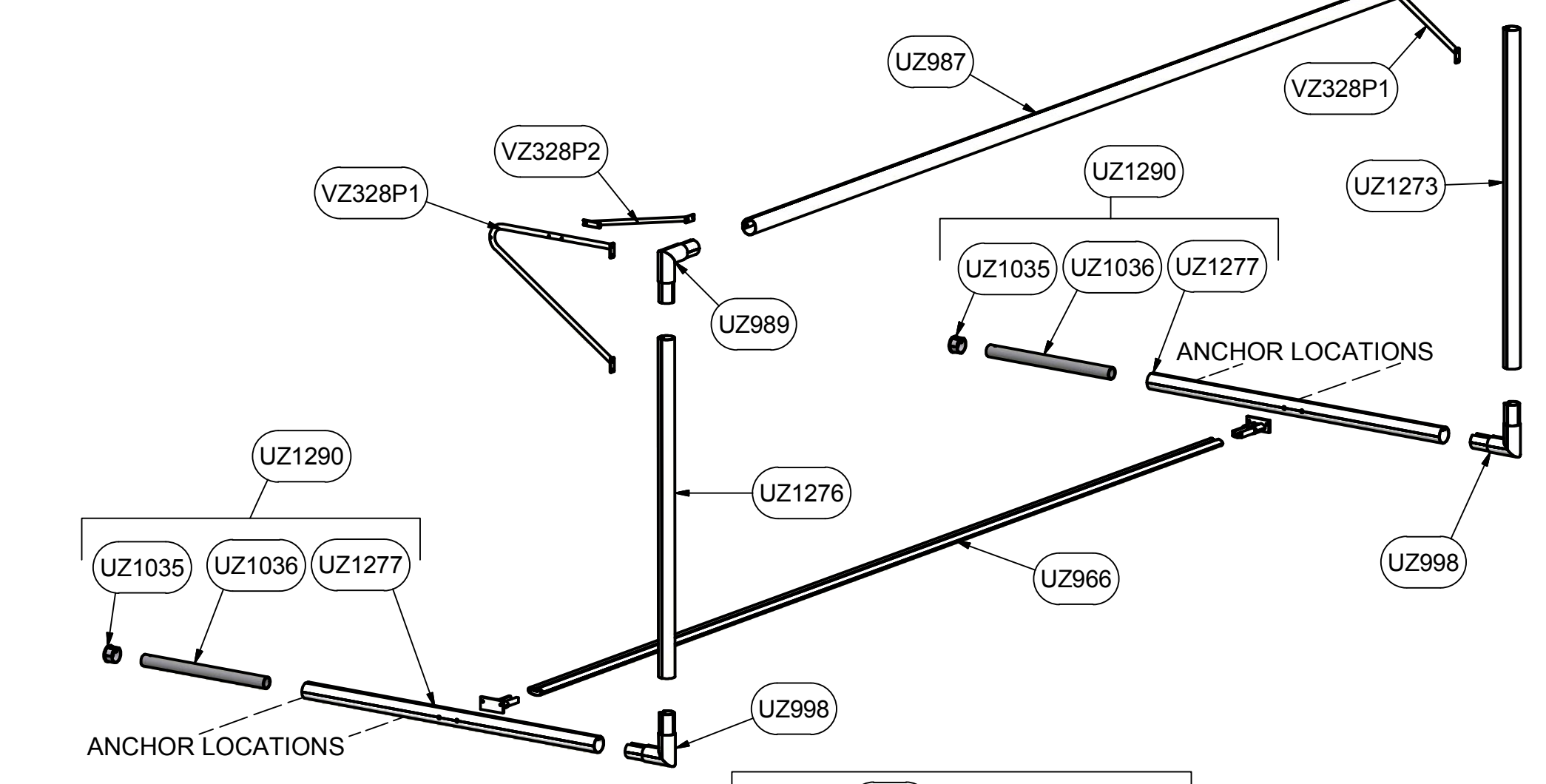
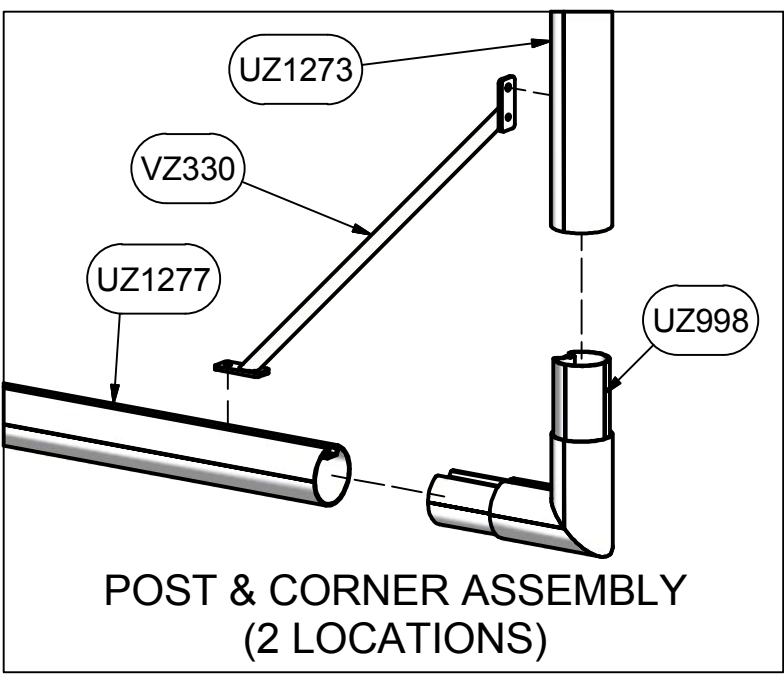
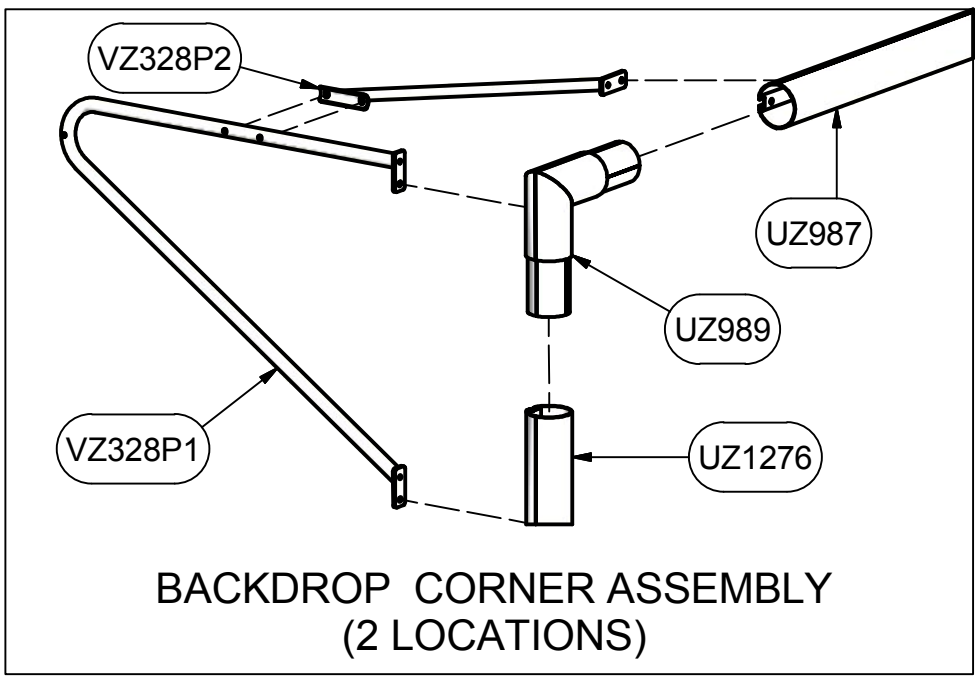
<p>THIRD ANGLE PROJECTION</p>	<p>140 Pacific Drive Quakertown, Pa. 18951</p>	
	<p>DIMENSIONS ARE IN INCHES UNLESS OTHERWISE SPECIFIED</p>	<p>Approved By:</p> <p>Date:</p>
<p>This item is the <b>exclusive</b> property of <b>KWIK GOAL LTD.</b> Reproduction or duplication <b>without</b> the express written consent of <b>KWIK GOAL LTD.</b> is <b>strictly forbidden.</b></p>	<p>Drawn By: CSpeck</p> <p>Date: 9/1/2006</p> <p>Sheet: 2 of 4</p> <p>Revision #: 5</p> <p>Cad File: 2B3906.idw</p>	<p>Desc:</p> <p>8' X 24' FUSION GOAL</p>

Finish Info.

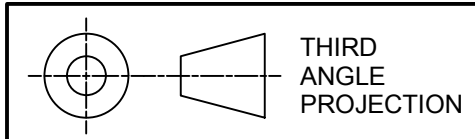
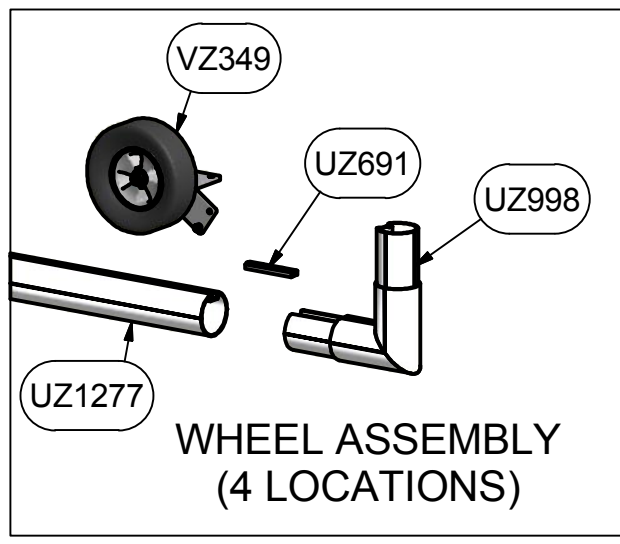
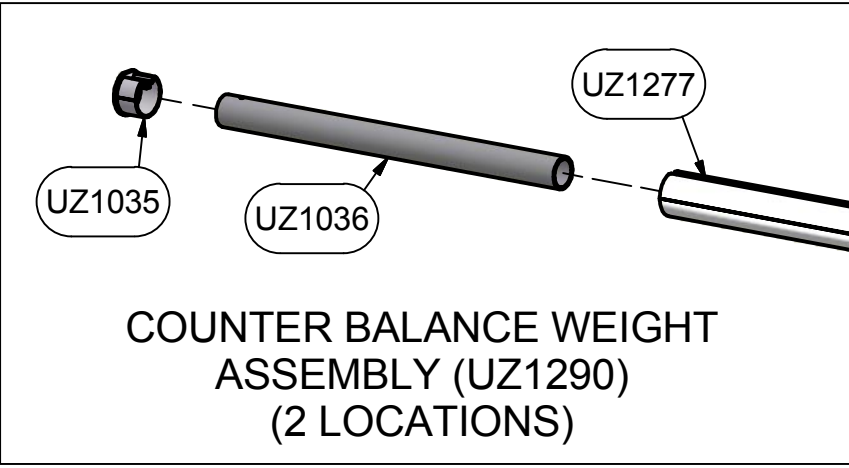
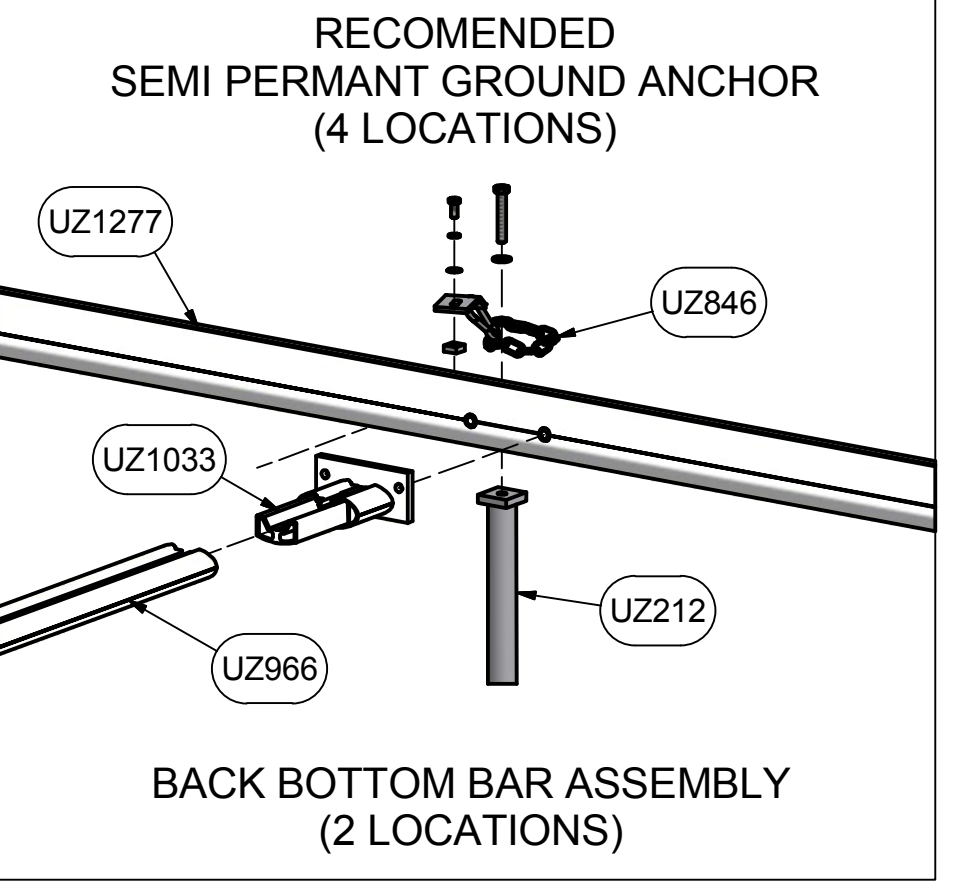


Finish Info.

<p>THIRD ANGLE PROJECTION</p>	<p>140 Pacific Drive Quakertown, Pa. 18951</p>	
	<p>DIMENSIONS ARE IN INCHES UNLESS OTHERWISE SPECIFIED</p>	<p>Approved By:</p> <p>Date:</p>
<p>This item is the <b>exclusive</b> property of <b>KWIK GOAL LTD.</b> Reproduction or duplication <b>without</b> the express written consent of <b>KWIK GOAL LTD.</b> is <b>strictly forbidden.</b></p>	<p>Drawn By: CSpeck</p> <p>Date: 9/1/2006</p> <p>Sheet: 3 of 4</p> <p>Revision #: 5</p> <p>Cad File: 2B3906.idw</p>	<p>Desc:</p> <p>8' X 24' FUSION GOAL</p>



Parts List		
Part #	Qty	Description
VZ328P1	2	BACKSTAY
VZ328P2	2	BACKSTAY BRACE
UZ1277	2	BASE, 4 RND V-TRACK2
UZ1036	2	WEIGHT BAR, 2B3906
UZ1035	2	SLEEVE, BASE CAP
UZ987	1	RAIL, 4 RND V-TRACK2
UZ989	2	RAIL CORNER, 4 RND V-TRACK2
UZ998	2	POST CORNER, 4 RND V-TRACK2
UZ1276	1	LEFT POST, 4 RND V-TRACK2
UZ1273	1	RIGHT POST, 4" RND V-TRACK2
UZ1033	2	BACK BOTTOM BAR BRACKET
UZ966	1	BACK BOTTOM BAR, 2B3406
UZ846	4	Chain Assembly, Grnd Anchor
UZ212	4	GROUND ANCHOR ASSEMBLY
3B5921	1	NET 5' DEPTH, 3mm WHITE
UZ691	4	Threaded Channel Spacer
VZ349	5	FLAT PROOF TIRE
TZ297	2	1/2 Flat Washer, SAE
10B1605	6	SADDLE ANCHOR BAG
VZ330	2	POST BRACE



**KWIKGOAL** 140 Pacific Drive  
Quakertown, Pa. 18951

DIMENSIONS ARE IN INCHES  
UNLESS OTHERWISE SPECIFIED

Approved By:  
Date:

Part #:  
**2B3906**

This item is the **exclusive** property of **KWIK GOAL LTD.** Reproduction or duplication **without** the express written consent of **KWIK GOAL LTD.** is **strictly forbidden.**

Drawn By: CSpeck  
Date: 9/1/2006  
Sheet: 4 of 4  
Revision #: 5  
Cad File: 2B3906.idw

Desc:  
8' X 24' FUSION GOAL

**Finish Info.**