

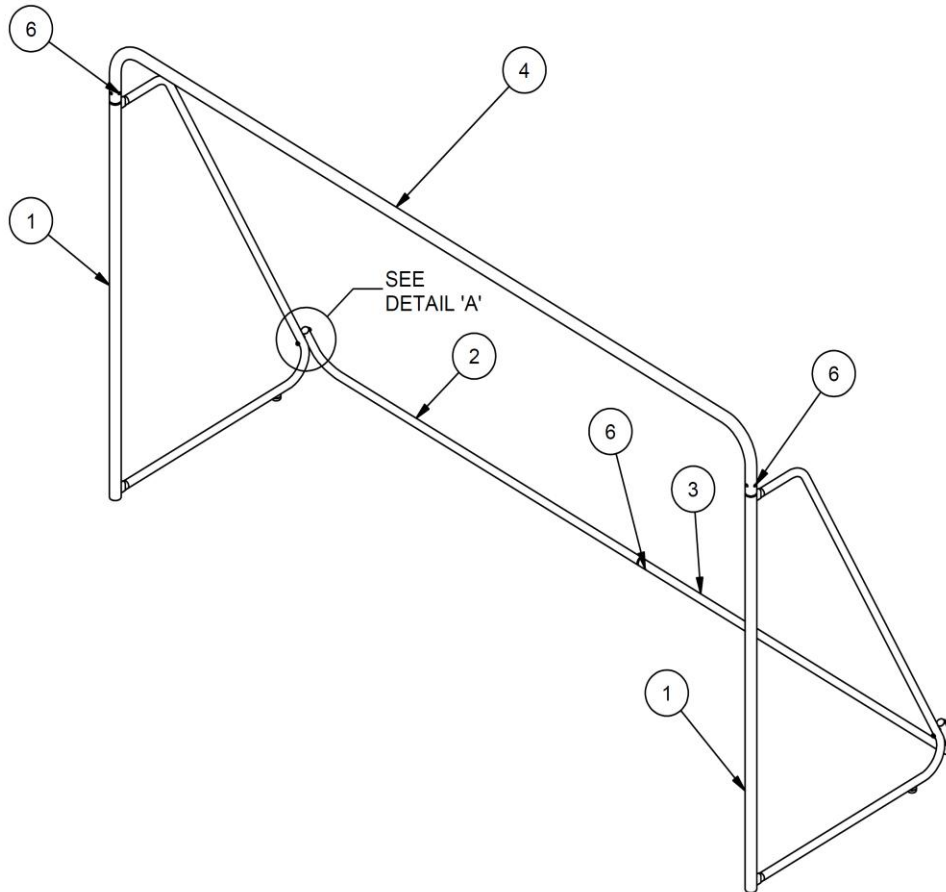


WHEN THE GAME IS ON THE LINE

MODEL: SFG-14

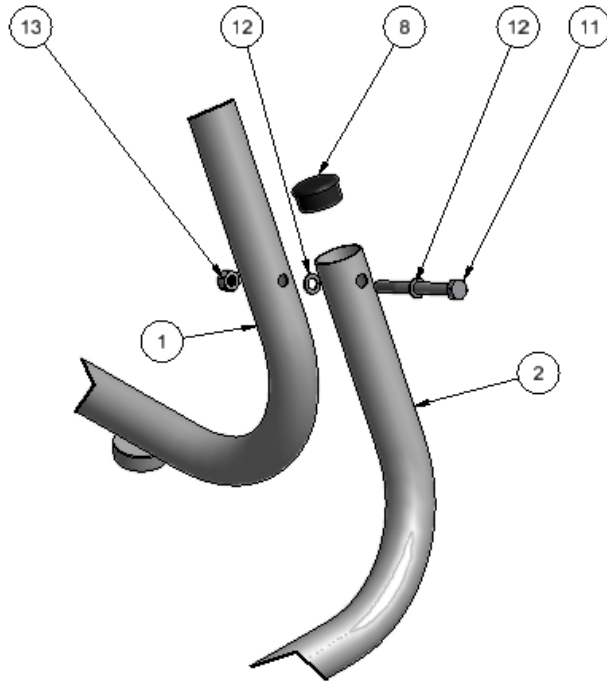


MODEL SFG-14 INDOOR/OUTDOOR FOLDING STEEL GOAL



CAUTION: DO NOT HANG FROM THE CROSSBAR – THIS IS DANGEROUS AND THE ADDITIONAL WEIGHT MAY DAMAGE YOUR EQUIPMENT

ITEM	QTY	DESCRIPTION	ITEM	QTY	DESCRIPTION
1	2	SIDE FRAME	8	2	END CAP (FACTORY ASSEMBLED)
2	1	BOTTOM CROSSBAR	9	50	VELCRO NET TIES (NOT SHOWN)
3	1	BOTTOM CROSSBAR SWAGED	10	2	GROUND ANCHOR (NOT SHOWN)
4	1	TOP CROSSBAR	11	2	M8 x 80mm HEX BOLT
5	1	NET (NOT SHOWN)	12	4	M8 WASHER
6	3	SNAP PIN (FACTORY ASSEMBLED)	13	2	M8 LOCK NUT
7	4	RUBBER FOOT (FACTORY INSTAL)	14	1	1/8" NYLON CORD x 130 ft

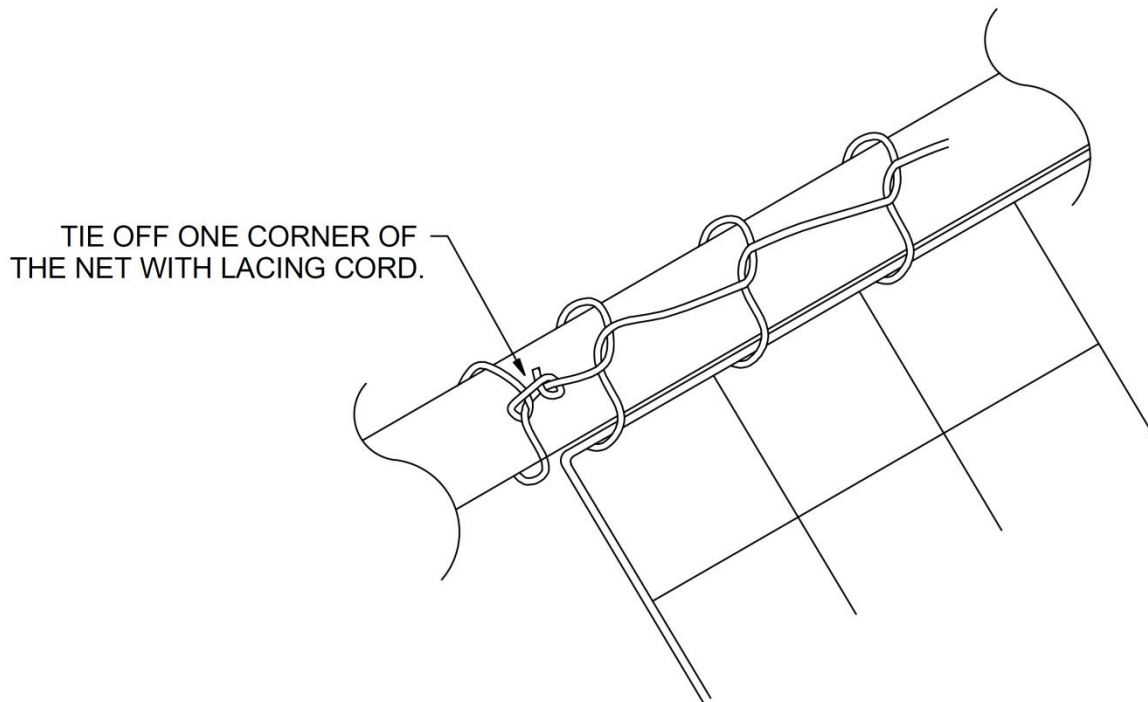


DETAIL A

TYPICAL BOTH SIDES OF BOTTOM CROSSBAR

1. NET INSTALLATION

THE MANUFACTURING OF POLYPROPYLENE NETS MAY CAUSE THE OVERALL NET SIZE TO SHRINK BY AS MUCH AS 4 INCHES. THEREFORE, THE NET MAY NEED TO BE STRETCHED DURING INITIAL ASSEMBLY TO ACHIEVE ITS PROPER DIMENSION FOR YOUR GOAL. OVER TIME THE NET WILL RELAX AND THE FIT WILL IMPROVE. IN ADDITION TO USING THE VELCRO STRAPS THE NET MAY ALSO BE LACED TO THE GOAL USING THE 1/8 INCH NYLON CORD PROVIDED. SEE THE LACING SCHEMATIC FOR THE PROPER LACING METHOD.



LACING SCHEMATIC

2. IMPORTANT NOTICE

- BEFORE EACH USE CHECK EQUIPMENT FOR PROPER CONNECTING HARDWARE AND STRUCTURAL INTEGRITY. REPLACE DAMAGED OR MISSING HARDWARE IMMEDIATELY.
- USE OF THIS EQUIPMENT OTHER THAN INTENDED, MAY BE HAZARDOUS.
- ALTERATIONS OR MODIFICATION OF THIS EQUIPMENT MAY BE HAZARDOUS AND RESULT IN INJURY. FOR REPAIR OR REPLACEMENT, CONTACT YOUR DEALER OR THE JAYPRO CUSTOMER SUPPORT TEAM, MONDAY THROUGH FRIDAY, 8AM TO 5PM EASTERN TIME AT 800-243-0533 OR 800-988-3363 FAX OR ON THE WEB AT WWW.JAYPRO.COM.

3. GROUND ANCHORS

FOR BEST RESULTS, POSITION GROUND ANCHOR AS FAR BACK FROM FACE OF GOAL AS POSSIBLE