

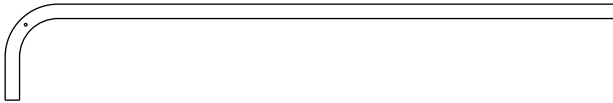


Most Kwik Goal products carry a **Lifetime Guarantee**. For details or claims, visit kwikgoal.com or contact customer service at 1-800-531-4252.

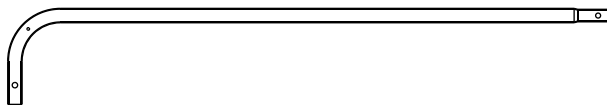
ASSEMBLY INSTRUCTIONS FOR 2B1602 AFR-2® REBOUNDER

1. Unpack all parts and check for damage that may have occurred during shipping. If damage has occurred, notify trucking company immediately. Lay out all parts. Remove all cardboard and packaging immediately. Wet or damp packaging may damage contents.
2. Read through entire instruction before beginning assembly and installation.

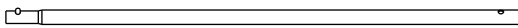
Left Side Bar (1)
(Part#UZ614)



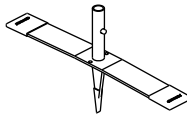
Right Side Bar (1)
(Part#UZ613)



Post (2)
(Part#UZ495)



Ground Shoe (2)
(Part#UZ526)



Net (1)
(Part# 3B806)



Ground Anchor Peg (1)
(Part# UZ847)



Caplug (4)
(Part# VZ235)



Roll Pin (2)
(Part# TZ200)



Bungee (20)
(Part# VZ394 Pack of 10)

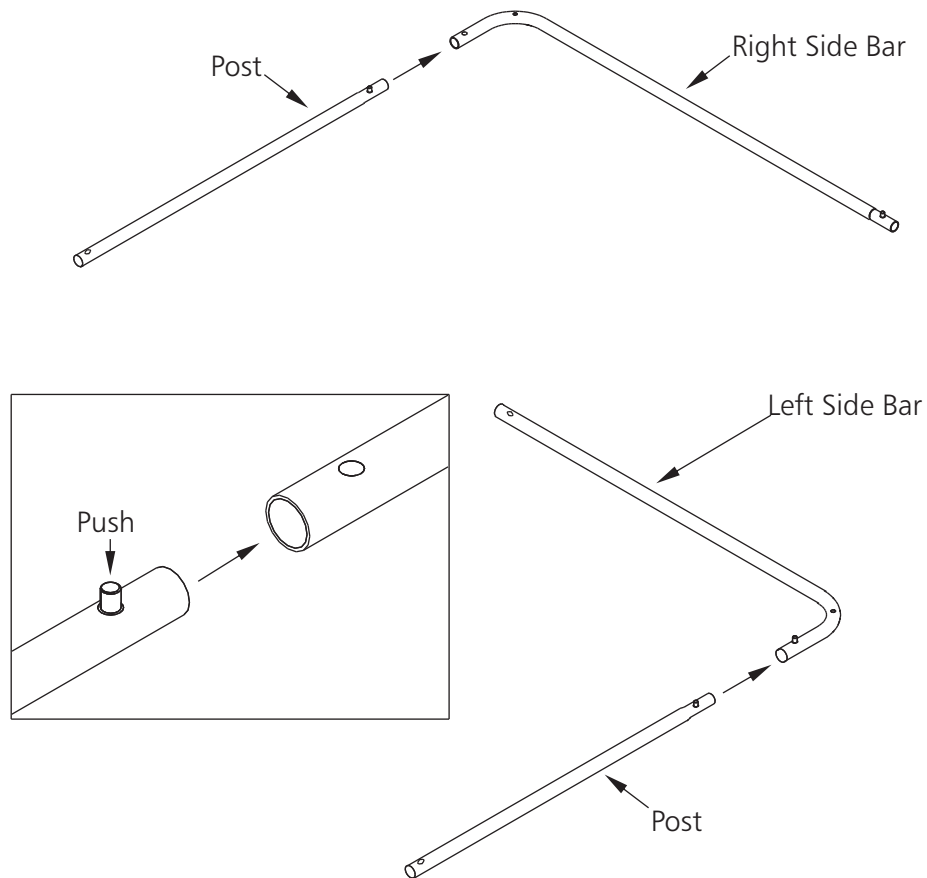


CAUTION

All sports equipment must be anchored at all times. Sports equipment not in use must be disassembled and stored in a safe, secure place. Assembled sports equipment should not be left unattended. Do not use this equipment during the threat of high winds. Sports equipment should be checked for safety on a regular basis. Any modifications to this or any Kwik Goal product will void any and all warranties.

140 Pacific Drive Quakertown, PA 18951
(P) 215- 536-2200 / (P) 800-531-4252 / (F) 215-536-4309 / (F) 800-778-8869
Visit our website @ kwikgoal.com
© 1998, Rev 2012 Kwik Goal Ltd.

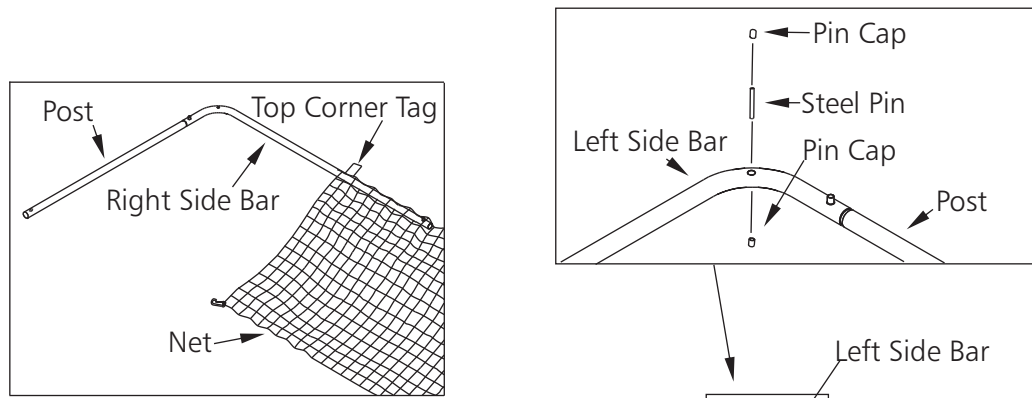
3. Connect right side bar and post, also connect left side bar and post as shown. Note: Do not connect right side bar and left side bar at this time.



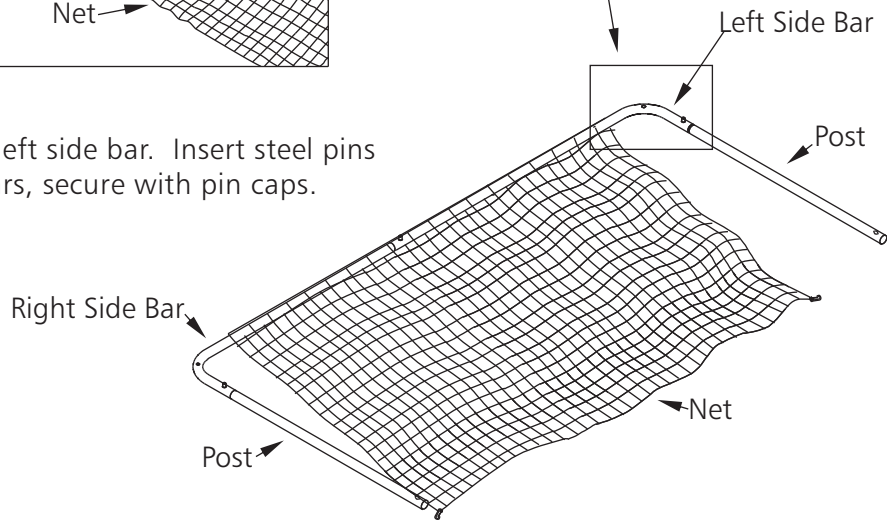
*****CAUTION*****

All sports equipment must be anchored at all times. Sports equipment not in use must be disassembled and stored in a safe, secure place. Assembled sports equipment should not be left unattended. Do not use this equipment during the threat of high winds. Sports equipment should be checked for safety on a regular basis. Any modifications to this or any Kwik Goal product will void any and all warranties.

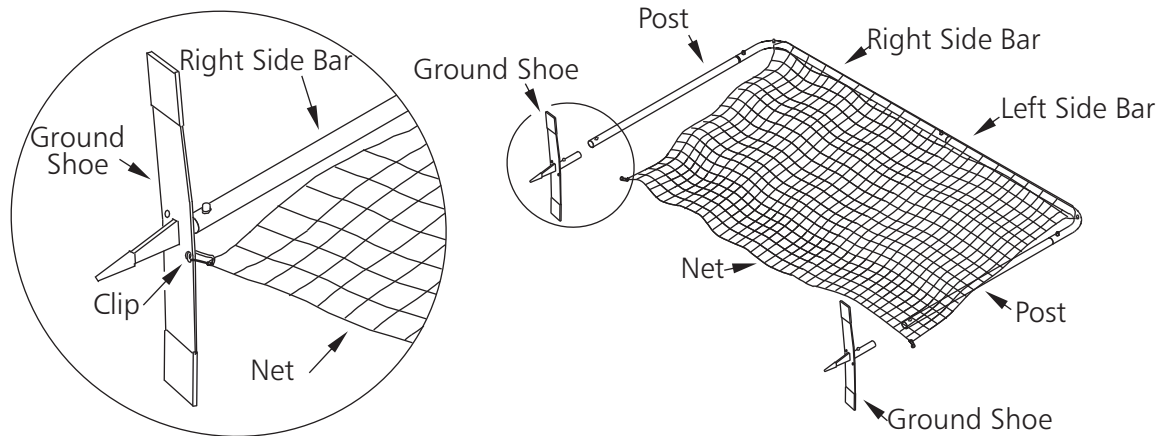
4. Using top corner tags as a guide, weave net on to right side bar as shown.



5. Connect right side bar and left side bar. Insert steel pins into hole located on side bars, secure with pin caps.



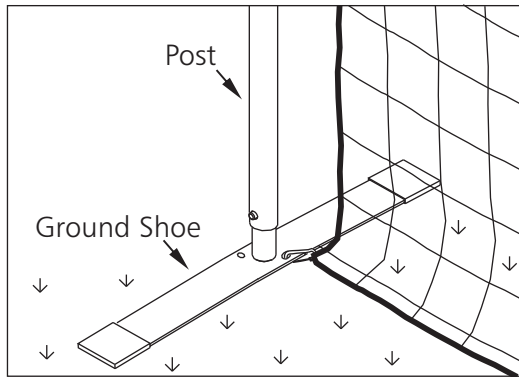
6. Attach ground shoes to posts. Connect clips located on net to ground shoes.



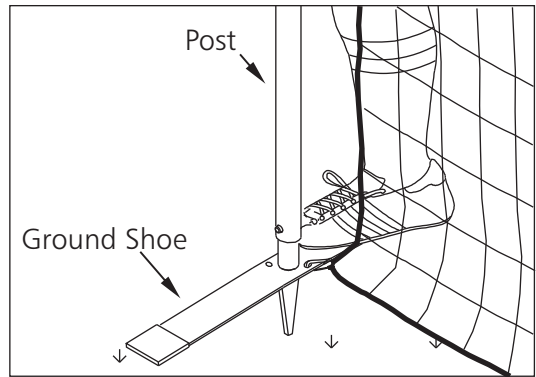
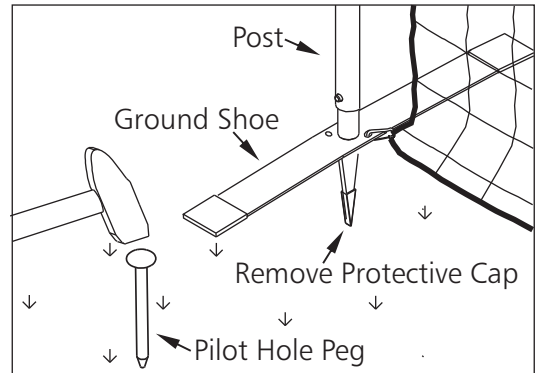
*****CAUTION*****

All sports equipment must be anchored at all times. Sports equipment not in use must be disassembled and stored in a safe, secure place. Assembled sports equipment should not be left unattended. Do not use this equipment during the threat of high winds. Sports equipment should be checked for safety on a regular basis. Any modifications to this or any Kwik Goal product will void any and all warranties.

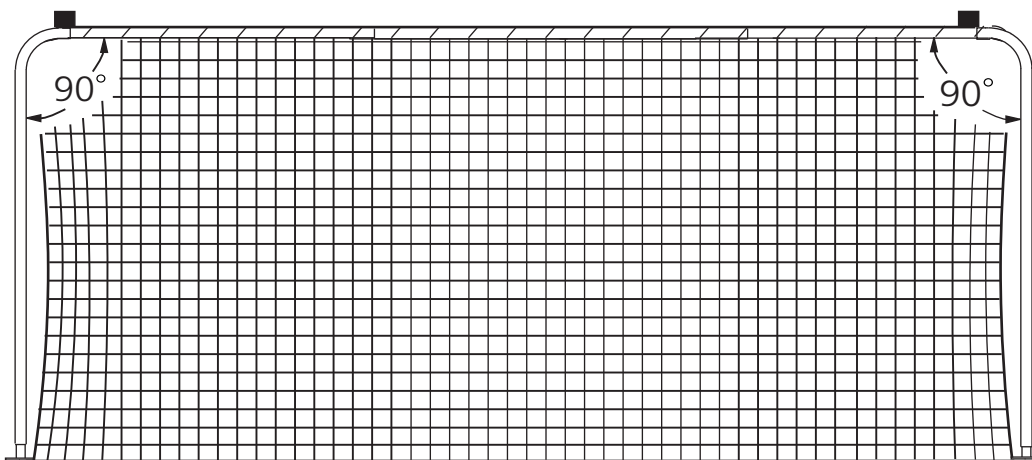
7. Stand assembled AFR-2® in desired location and push ground shoes into field using foot pressure. Be sure to keep posts 90° to side bars. **CAUTION: NEVER USE HAMMER ON GROUND SHOE.** If soil conditions are hard, mark ground shoe location and make a pilot hole with pilot hole peg.



Proper use of Pilot Hole Peg



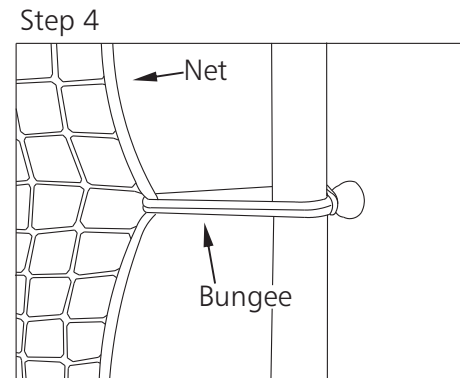
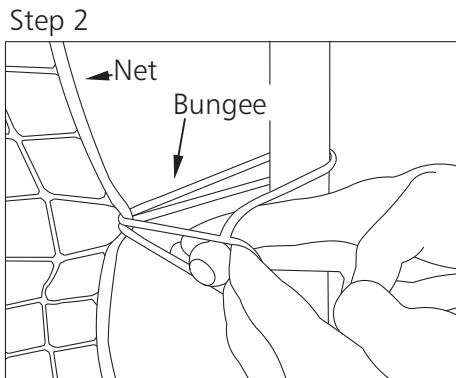
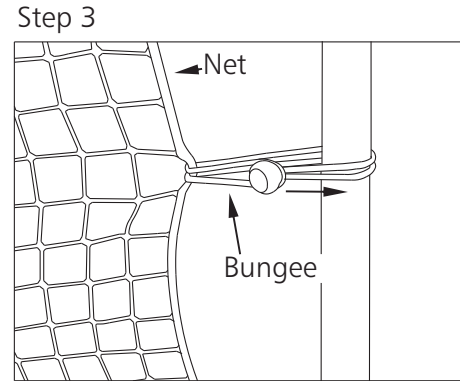
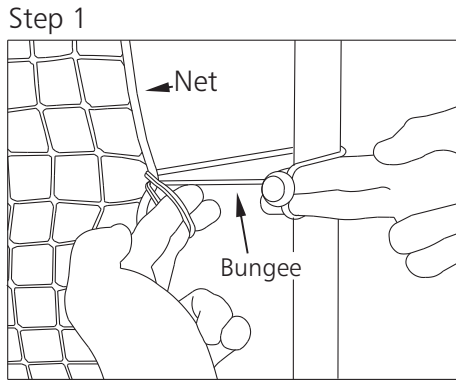
Front View



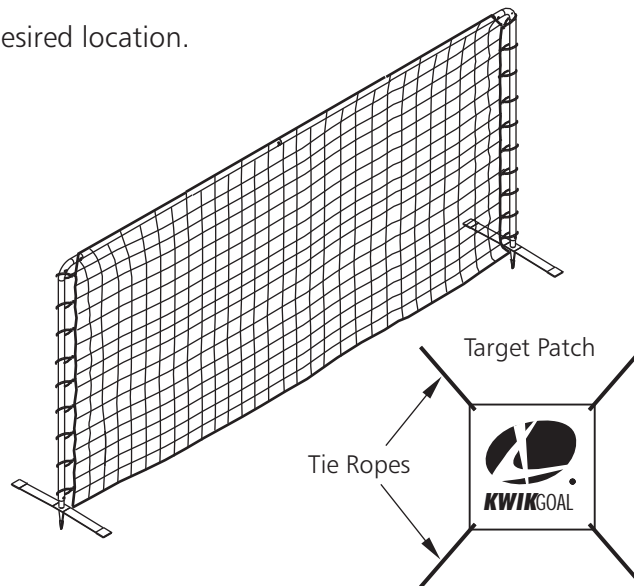
*****CAUTION*****

All sports equipment must be anchored at all times. Sports equipment not in use must be disassembled and stored in a safe, secure place. Assembled sports equipment should not be left unattended. Do not use this equipment during the threat of high winds. Sports equipment should be checked for safety on a regular basis. Any modifications to this or any Kwik Goal product will void any and all warranties.

8. Attach bungees to net as shown. Evenly space 10 bungees down each post. Note: The addition of bungees while attaching the net may make the net appear small but it will stretch during installation.



9. Attach target patch at any desired location.



10. To disassemble, reverse assembly steps. Store AFR-2[®] goal in a safe place. Carry bag is available for your AFR-2[®], see our catalog or online at kwikgoal.com.

*****CAUTION*****

All sports equipment must be anchored at all times. Sports equipment not in use must be disassembled and stored in a safe, secure place. Assembled sports equipment should not be left unattended. Do not use this equipment during the threat of high winds. Sports equipment should be checked for safety on a regular basis. Any modifications to this or any Kwik Goal product will void any and all warranties.