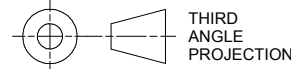


**FEATURES:**

- 1) ALUMINUM FRAME CONSTRUCTION WITH STEEL GROUND SHOES.
- 2) COLOR CODED KWIK BUTTON ASSEMBLY.
- 3) FINISH: POWDER COATED WHITE
- 4) INCLUDED:
  - 3mm, 4" MESH, BLACK NET WITH MOVEABLE TARGET
  - BUNGEEES FOR NET ATTACHMENT
- 5) ASSEMBLED GOAL WEIGHT: 24 LBS.

**Finish Info.**



THIRD  
ANGLE  
PROJECTION

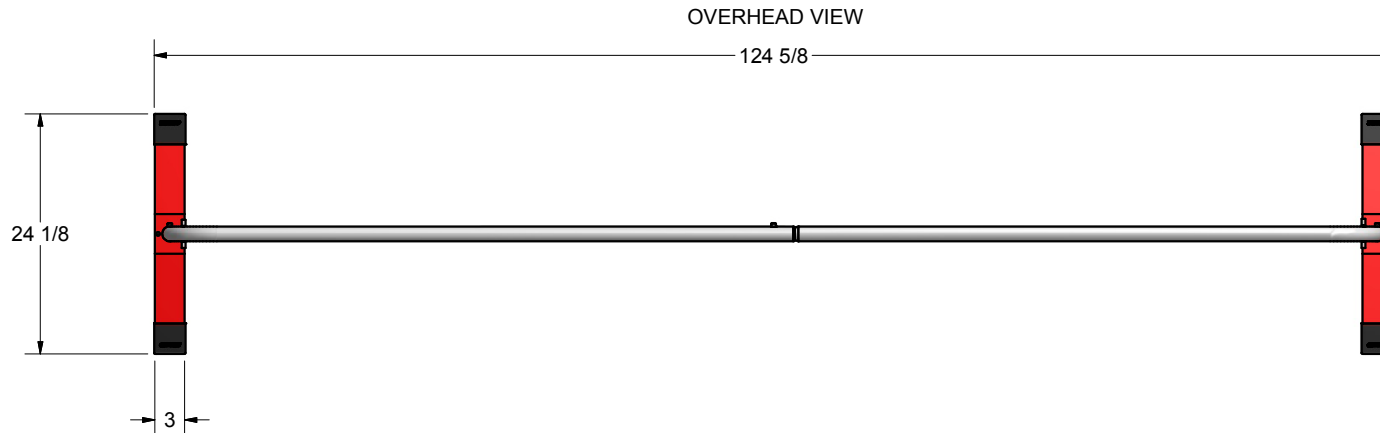
DIMENSIONS ARE IN INCHES  
UNLESS OTHERWISE SPECIFIED

This item is the **exclusive**  
property of **KWIK GOAL LTD.**  
Reproduction or duplication  
**without** the express written  
consent of **KWIK GOAL LTD.**  
is **strictly forbidden.**



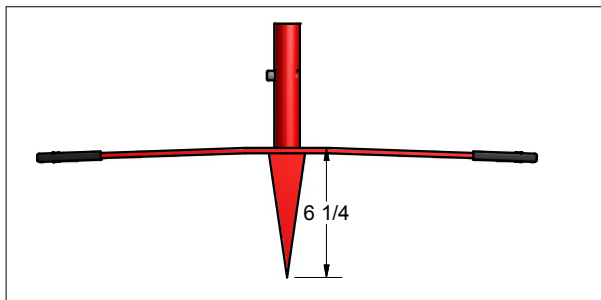
Approved By:  
Date:  
Drawn By: jwillenbecher  
Date: 8/8/2012  
Sheet: 1 of 4  
Revision #: 2  
Cad File: 2B1602.idw

Part #:  
**2B1602**  
Desc:  
AFR-2 REBOUNDER

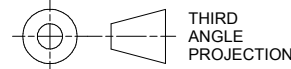


NOTES:

- 1) DIMENSIONS ARE FOR PLANNING PURPOSES. INSTALLATION MUST BE IN ACCORDANCE WITH INSTALLATION INSTRUCTIONS.



**Finish Info.**



DIMENSIONS ARE IN INCHES  
UNLESS OTHERWISE SPECIFIED

This item is the **exclusive**  
property of **KWIK GOAL LTD.**  
Reproduction or duplication  
**without** the express written  
consent of **KWIK GOAL LTD.**  
is **strictly forbidden.**



Approved By:

Date:

Drawn By: jwillenbecher

Date: 8/8/2012

Sheet: 2 of 4

Revision #: 2

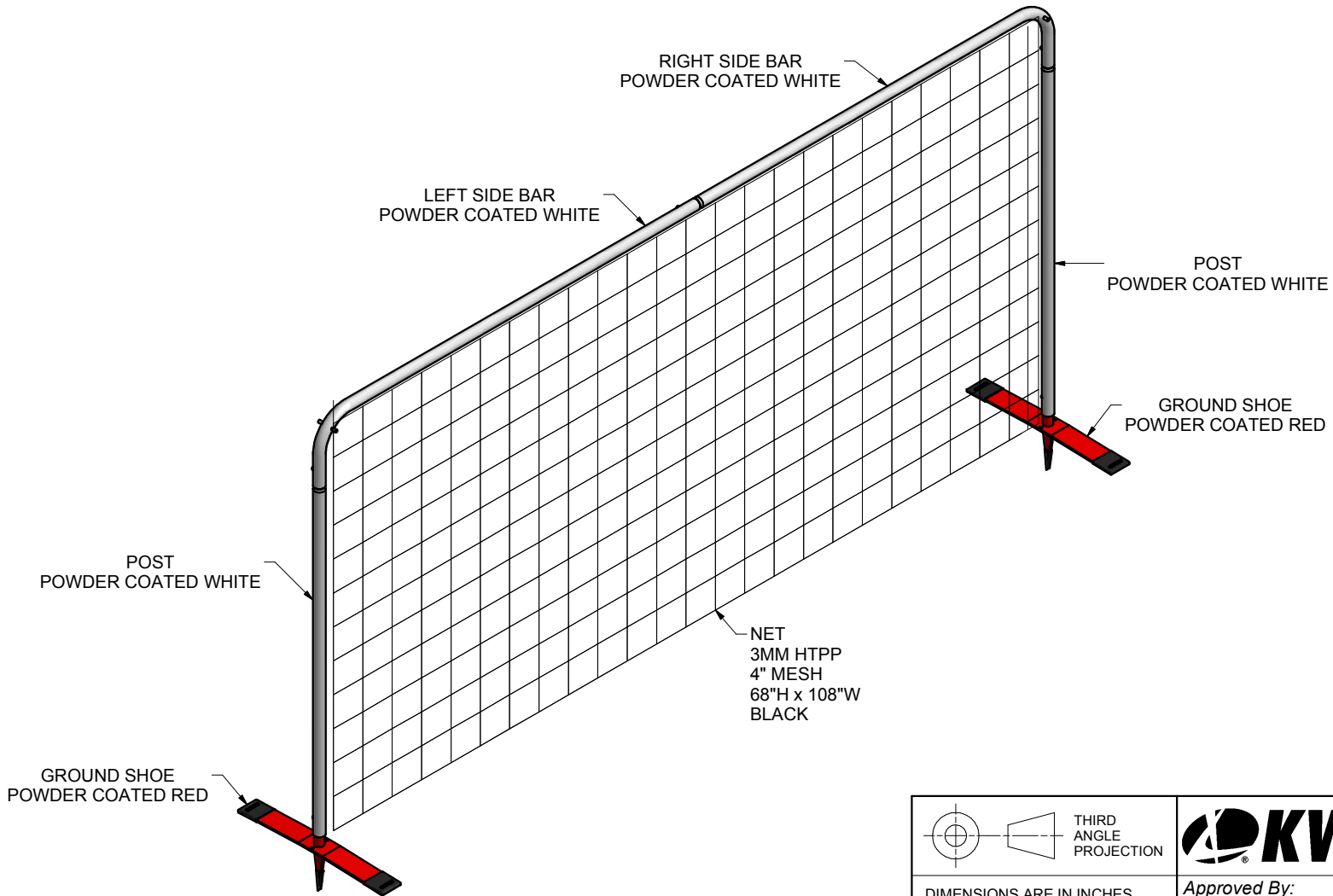
Cad File: 2B1602.idw

Part #:

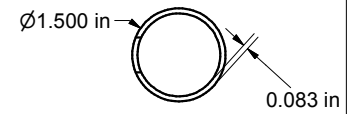
**2B1602**

Desc:

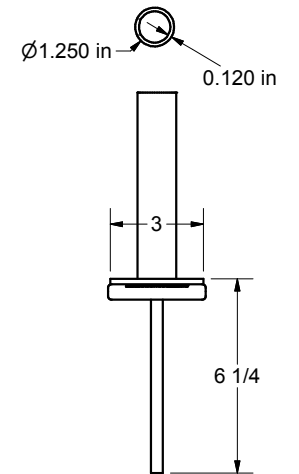
AFR-2 REBOUNDER



MATERIAL DETAILS

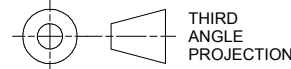


SIDE BAR & POST  
MATERIAL - ALUMINUM



GROUND SHOE  
MATERIAL - STEEL

**Finish Info.**



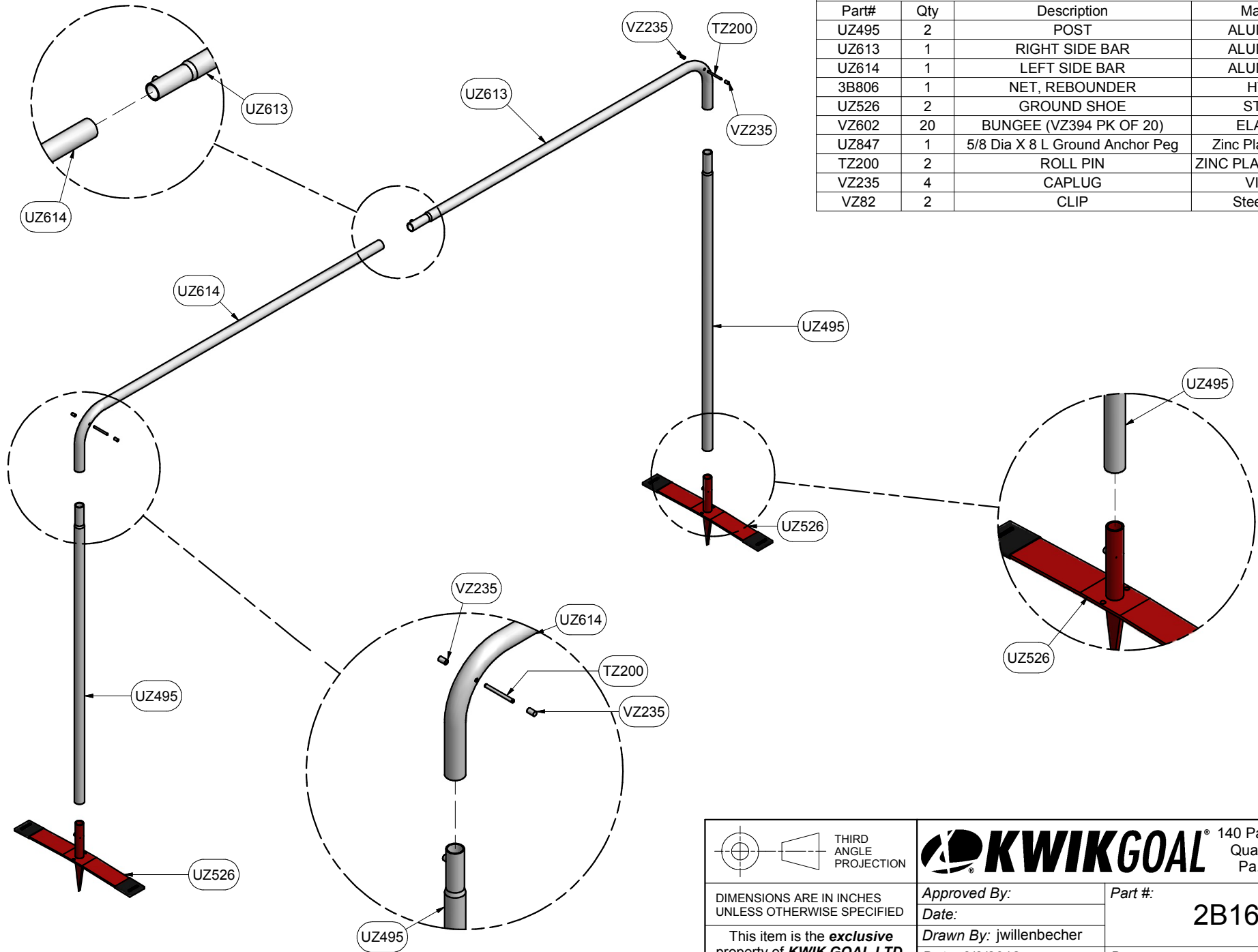
THIRD  
ANGLE  
PROJECTION



DIMENSIONS ARE IN INCHES  
UNLESS OTHERWISE SPECIFIED

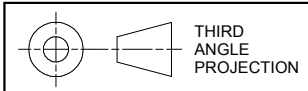
This item is the **exclusive**  
property of **KWIK GOAL LTD.**  
Reproduction or duplication  
**without** the express written  
consent of **KWIK GOAL LTD.**  
is **strictly forbidden.**

Approved By:	Part #: <b>2B1602</b>
Date:	
Drawn By: jwillenbecher	Desc: AFR-2 REBOUNDER
Date: 8/8/2012	
Sheet: 3 of 4	
Revision #: 2	
Cad File: 2B1602.idw	



Parts List			
Part#	Qty	Description	Material
UZ495	2	POST	ALUMINUM
UZ613	1	RIGHT SIDE BAR	ALUMINUM
UZ614	1	LEFT SIDE BAR	ALUMINUM
3B806	1	NET, REBOUNDER	HPPP
UZ526	2	GROUND SHOE	STEEL
VZ602	20	BUNGEE (VZ394 PK OF 20)	ELASTIC
UZ847	1	5/8 Dia X 8 L Ground Anchor Peg	Zinc Plated Steel
TZ200	2	ROLL PIN	ZINC PLATED STEEL
VZ235	4	CAPLUG	VINYL
VZ82	2	CLIP	Steel, Mild

**Finish Info.**



DIMENSIONS ARE IN INCHES UNLESS OTHERWISE SPECIFIED

This item is the **exclusive** property of **KWIK GOAL LTD.** Reproduction or duplication **without** the express written consent of **KWIK GOAL LTD.** is **strictly forbidden.**

**KWIKGOAL**® 140 Pacific Drive  
Quakertown, Pa. 18951

Approved By:  
Date:  
Drawn By: jwillenbecher  
Date: 8/8/2012  
Sheet: 4 of 4  
Revision #: 2  
Cad File: 2B1602.idw

Part #: **2B1602**  
Desc: **AFR-2 REBOUNDER**