

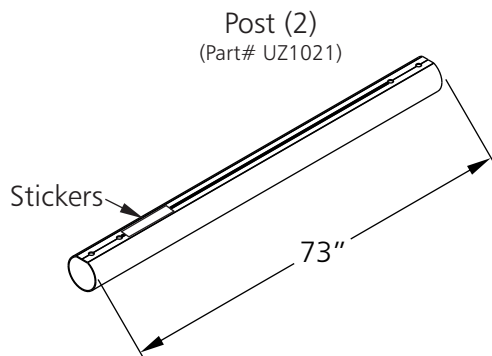


Most Kwik Goal products carry a **Lifetime Guarantee**. For details or claims, visit kwikgoal.com or contact customer service at 1-800-531-4252.

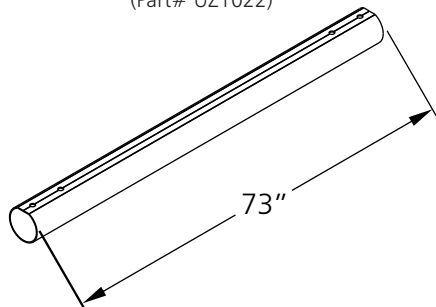
ASSEMBLY INSTRUCTIONS FOR 2B5005 7' X 21' Academy™ GOAL

1. Unpack all parts and check for damage that may have occurred during shipping. If damage has occurred, notify trucking company immediately. Lay out all parts. Remove all cardboard and packaging immediately. Wet or damp packaging may damage contents.
2. All hardware and ground anchors are in a separate box(es) shipped with goals.
3. A minimum of two qualified persons are required to assemble this goal.

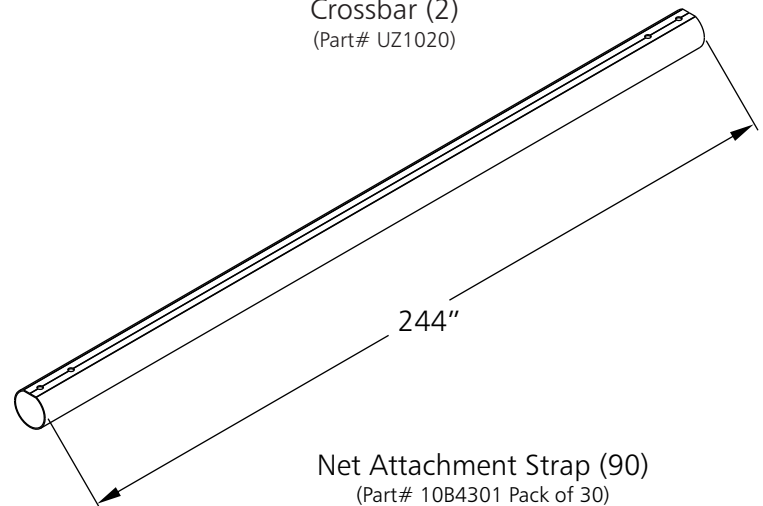
Parts



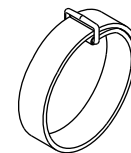
Base (2)
(Part# UZ1022)



Crossbar (2)
(Part# UZ1020)



Net Attachment Strap (90)
(Part# 10B4301 Pack of 30)



*****CAUTION*****

This goal has been designed to be used for the game of soccer only. Goal posts must be anchored **AT ALL TIMES** and shall be secured against overturning. Do not climb on the net or goal framework at any time! All fastenings must be checked to insure they are fully tightened before and after each use of this product.

Goal posts not in use must be disassembled and properly stored in a safe, secure area (See included Guidelines for Moveable Soccer Goal Safety.). Assembled goal posts should not be left unattended. Remove nets when goals are not in use. Do not use this equipment during the threat of high winds. Goal posts should be checked for safety before and after each use. All warning and safety labels included with this product must be visible at all times.

Any modifications to this or any Kwik Goal product will void any and all warranties.

140 Pacific Drive Quakertown, PA 18951
(P) 215-536-2200 / (P) 800-531-4252 / (F) 215-536-4309 / (F) 800-778-8869
Visit our website @ kwikgoal.com
© 2007, Rev. 2013 Kwik Goal Ltd.

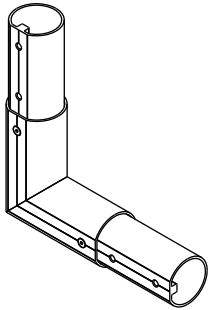


IMPORTANT GOAL SAFETY INSTRUCTIONS
READ CAREFULLY

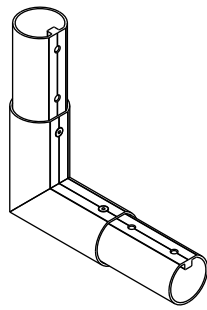
1. Check for structural integrity and proper connecting hardware before every use. Replace damaged or missing parts or fasteners immediately.
2. Safety/Warning labels must be clearly visible.
3. Securely anchor moveable soccer goals at ALL times.
4. Always instruct players, managers, coaches, trainers, teachers, maintenance workers and all other personnel who might come in contact with the goal, on the safe handling of and potential dangers associated with moveable soccer goals.
5. Always exercise extreme caution when moving goals and provide adequate manpower to move goals of varied sizes and weights. Moveable soccer goals should only be moved by authorized personnel.
6. NEVER allow anyone to climb on the net or goal framework.
7. Moveable soccer goals should only be used on LEVEL fields, NEVER on a slope or hill area.
8. Remove nets when goals are not in use.
9. Most of the tip-over injuries occurred when goals were unattended. Anchor or chain one goal to another or to nearby fence posts, dugouts, or any other similar sturdy fixture when not in use. If this is not practical, store moveable soccer goals in a place where children cannot have access to them.
10. Fully disassemble goals for seasonal storage.

Parts continued:

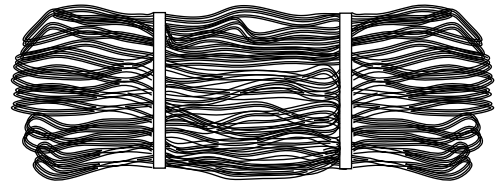
Crossbar Corner (4)
(Part# UZ1006)



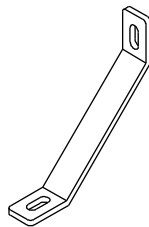
Post Corner (2)
(Part# UZ1008)



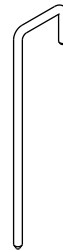
Net (1)
(Part# 3B3911)



Post Brace (2)
(Part# UZ737)



"J" Anchor (QTY)
(Part# 10B9001 Pack of 4)

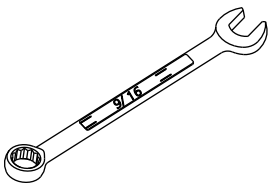


Hardware

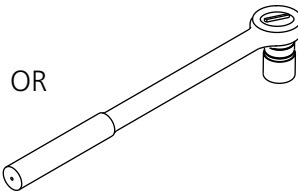
- | | |
|----------------------------------|------|
| 3/8" X 1" Hex Bolt (Part# TZ290) | (24) |
| 3/8" Lock Washer (Part# TZ65) | (24) |
| 3/8" Flat Washer (Part# TZ60) | (24) |

Assembly Tools

9/16" Wrench

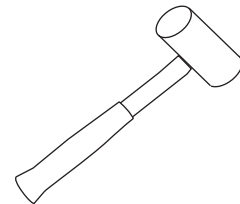


9/16" Ratchet with Socket



OR

Mallet



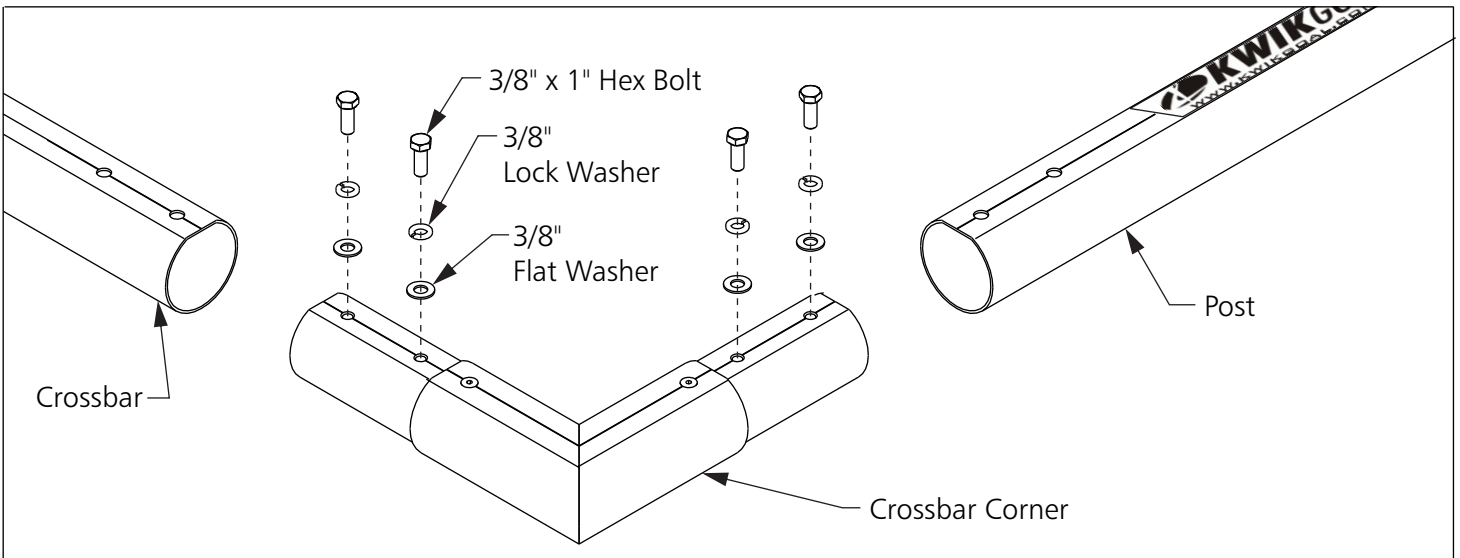
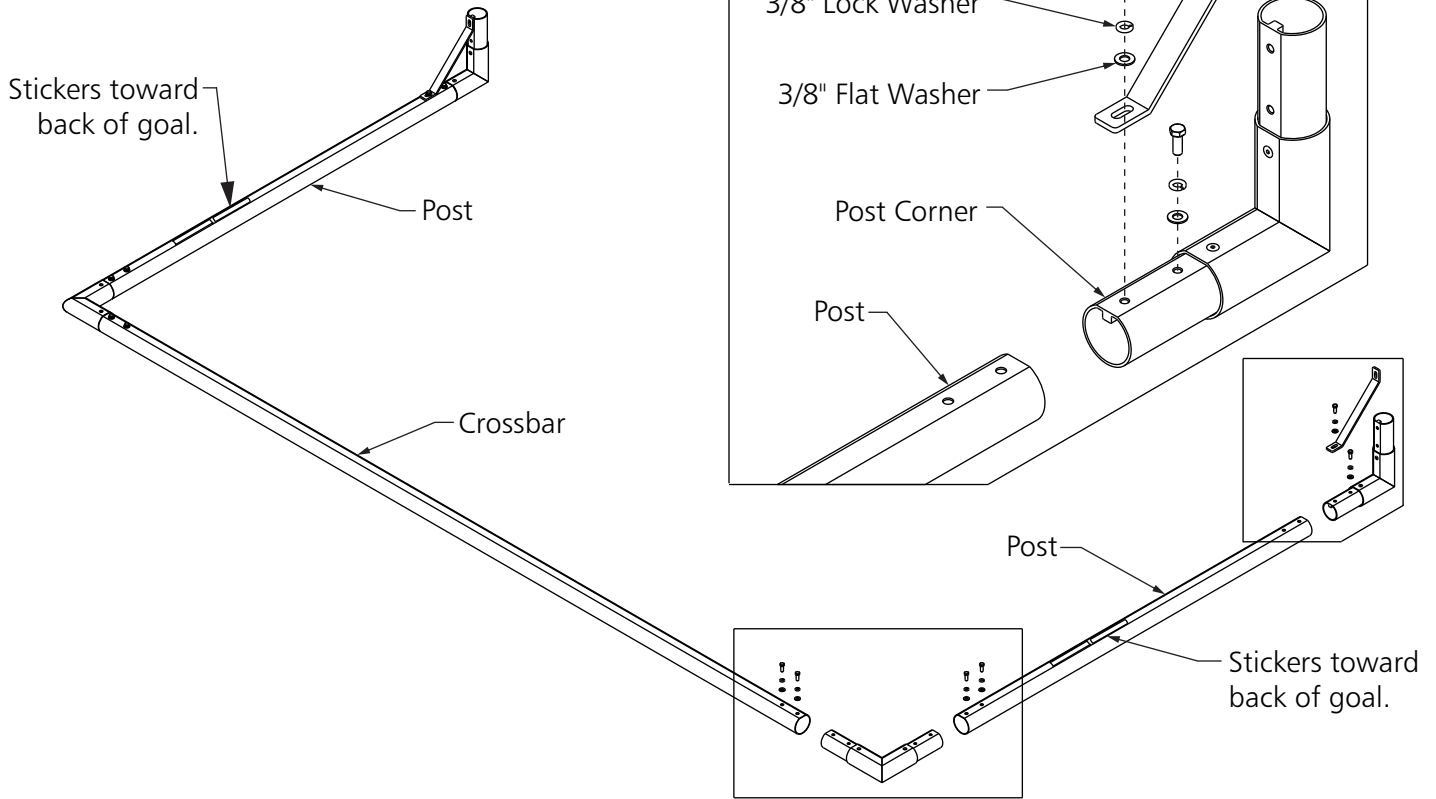
*****CAUTION*****

This goal has been designed to be used for the game of soccer only. Goal posts must be anchored **AT ALL TIMES** and shall be secured against overturning. Do not climb on the net or goal framework at any time! All fastenings must be checked to insure they are fully tightened before and after each use of this product.

Goal posts not in use must be disassembled and properly stored in a safe, secure area (See included Guidelines for Moveable Soccer Goal Safety.). Assembled goal posts should not be left unattended. Remove nets when goals are not in use. Do not use this equipment during the threat of high winds. Goal posts should be checked for safety before and after each use. All warning and safety labels included with this product must be visible at all times.

Any modifications to this or any Kwik Goal product will void any and all warranties.

4. Assemble crossbar, posts, and crossbar corners. Note direction of stickers on crossbar and posts. Press joints together firmly before tightening bolts. Leave post brace bolts loose, tighten all others.



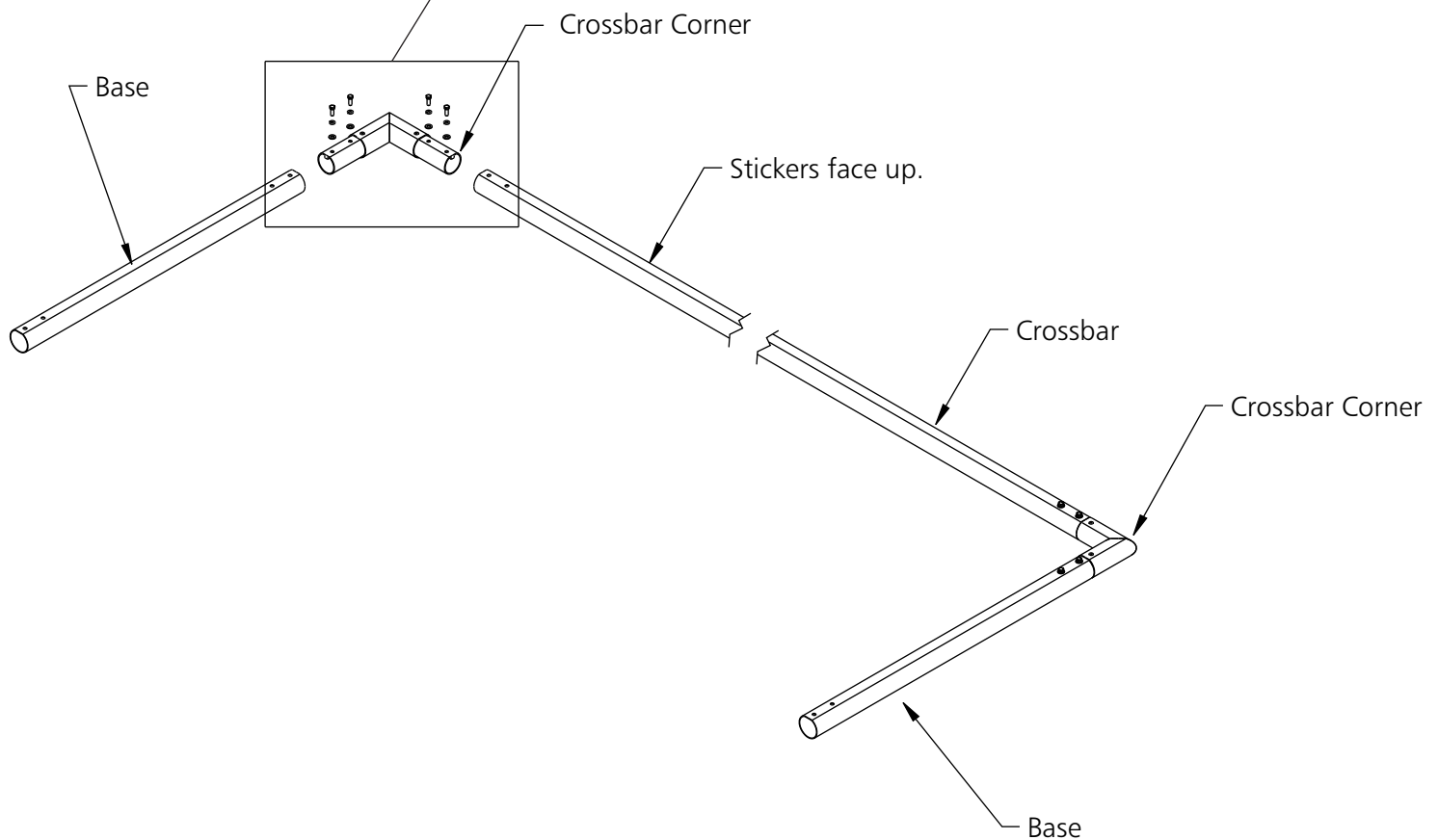
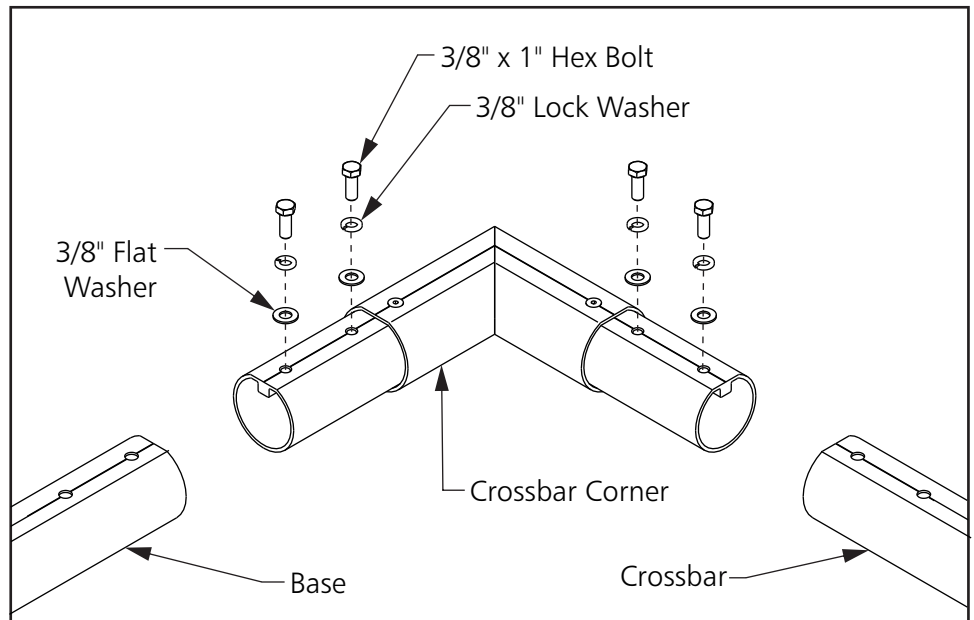
*****CAUTION*****

This goal has been designed to be used for the game of soccer only. Goal posts must be anchored **AT ALL TIMES** and shall be secured against overturning. Do not climb on the net or goal framework at any time! All fastenings must be checked to insure they are fully tightened before and after each use of this product.

Goal posts not in use must be disassembled and properly stored in a safe, secure area (See included Guidelines for Moveable Soccer Goal Safety.). Assembled goal posts should not be left unattended. Remove nets when goals are not in use. Do not use this equipment during the threat of high winds. Goal posts should be checked for safety before and after each use. All warning and safety labels included with this product must be visible at all times.

Any modifications to this or any Kwik Goal product will void any and all warranties.

5. Assemble crossbar, bases, and crossbar corners. Press joints together firmly before tightening



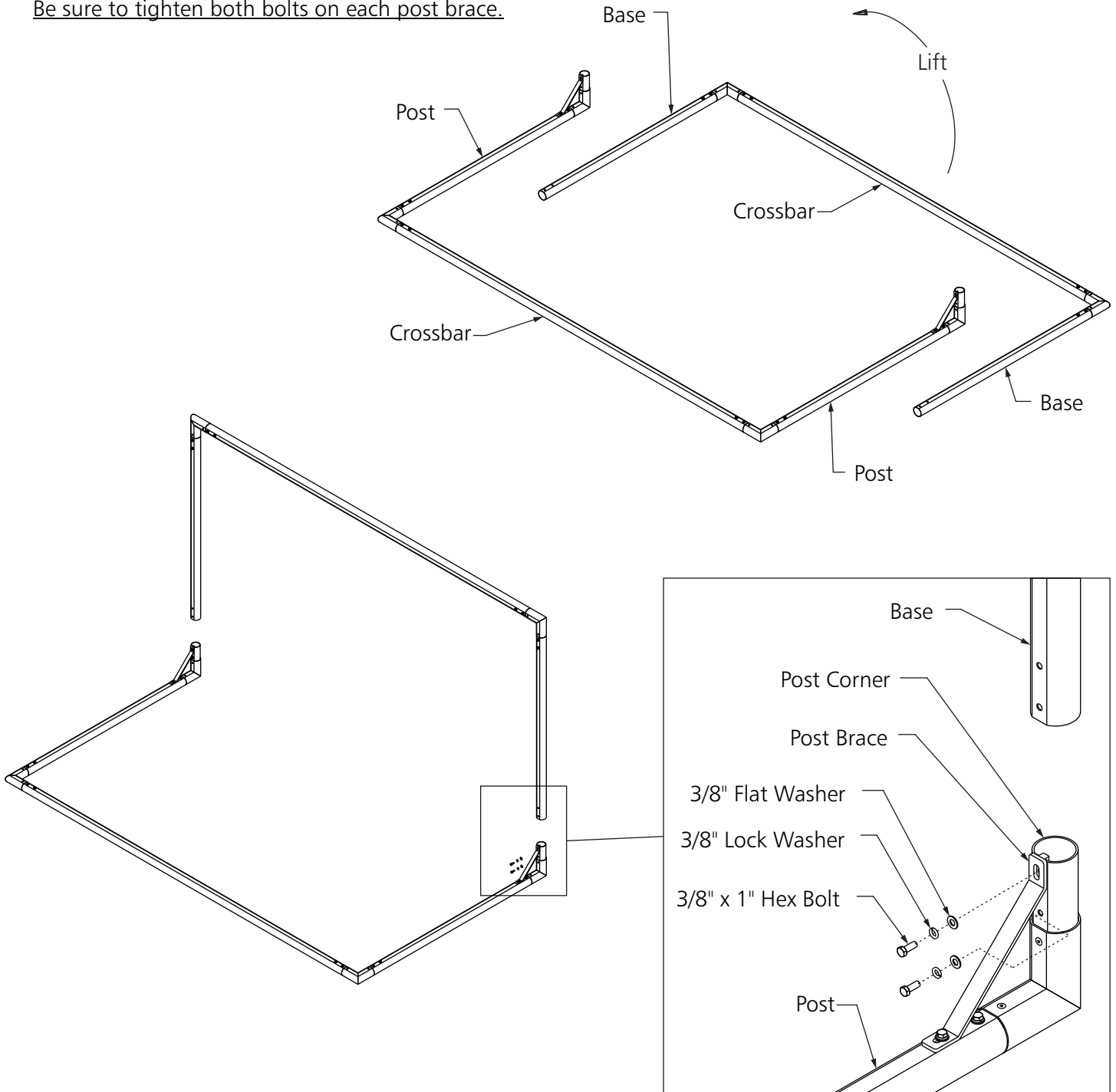
*****CAUTION*****

This goal has been designed to be used for the game of soccer only. Goal posts must be anchored **AT ALL TIMES** and shall be secured against overturning. Do not climb on the net or goal framework at any time! All fastenings must be checked to insure they are fully tightened before and after each use of this product.

Goal posts not in use must be disassembled and properly stored in a safe, secure area (See included Guidelines for Moveable Soccer Goal Safety.). Assembled goal posts should not be left unattended. Remove nets when goals are not in use. Do not use this equipment during the threat of high winds. Goal posts should be checked for safety before and after each use. All warning and safety labels included with this product must be visible at all times.

Any modifications to this or any Kwik Goal product will void any and all warranties.

6. Lift assembled bases and insert into assembled posts. Be sure connections are pressed firmly together before tightening bolts.
Be sure to tighten both bolts on each post brace.

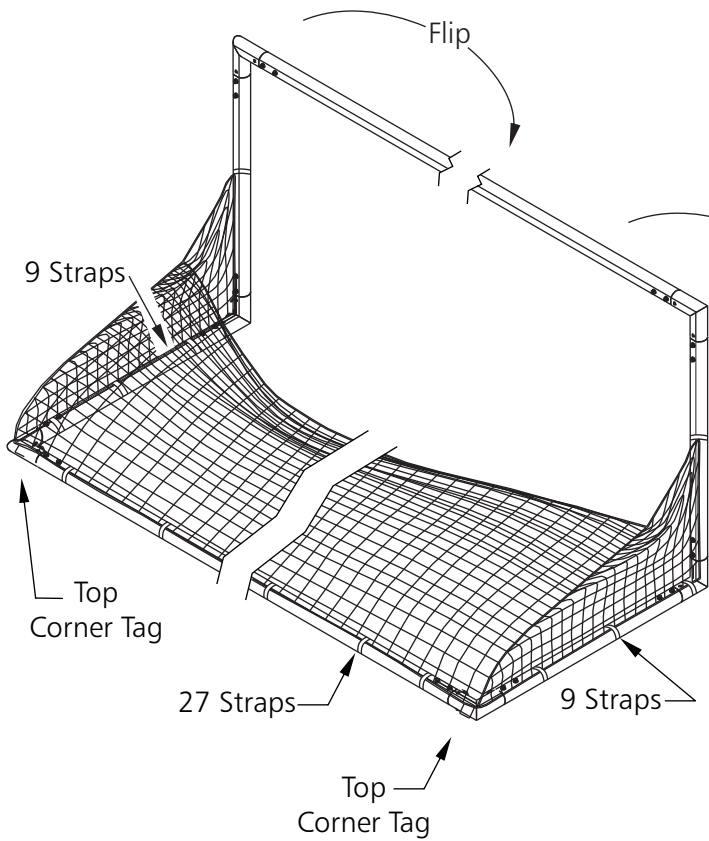


*****CAUTION*****

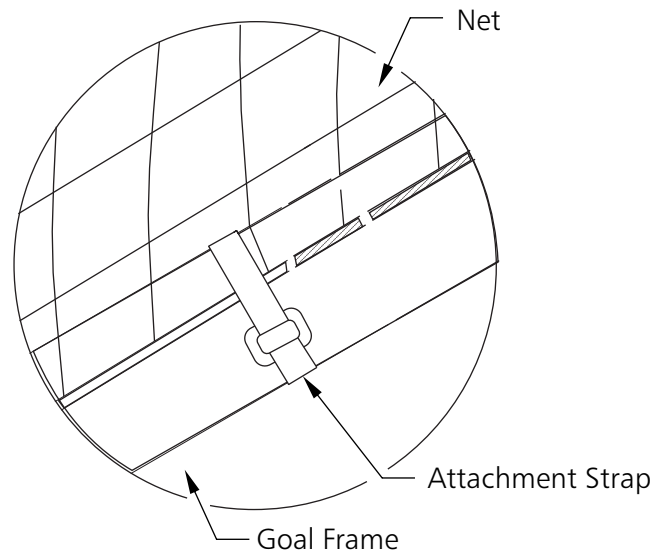
This goal has been designed to be used for the game of soccer only. Goal posts must be anchored AT ALL TIMES and shall be secured against overturning. Do not climb on the net or goal framework at any time! All fastenings must be checked to insure they are fully tightened before and after each use of this product.

Goal posts not in use must be disassembled and properly stored in a safe, secure area (See included Guidelines for Moveable Soccer Goal Safety.). Assembled goal posts should not be left unattended. Remove nets when goals are not in use. Do not use this equipment during the threat of high winds. Goal posts should be checked for safety before and after each use. All warning and safety labels included with this product must be visible at all times.

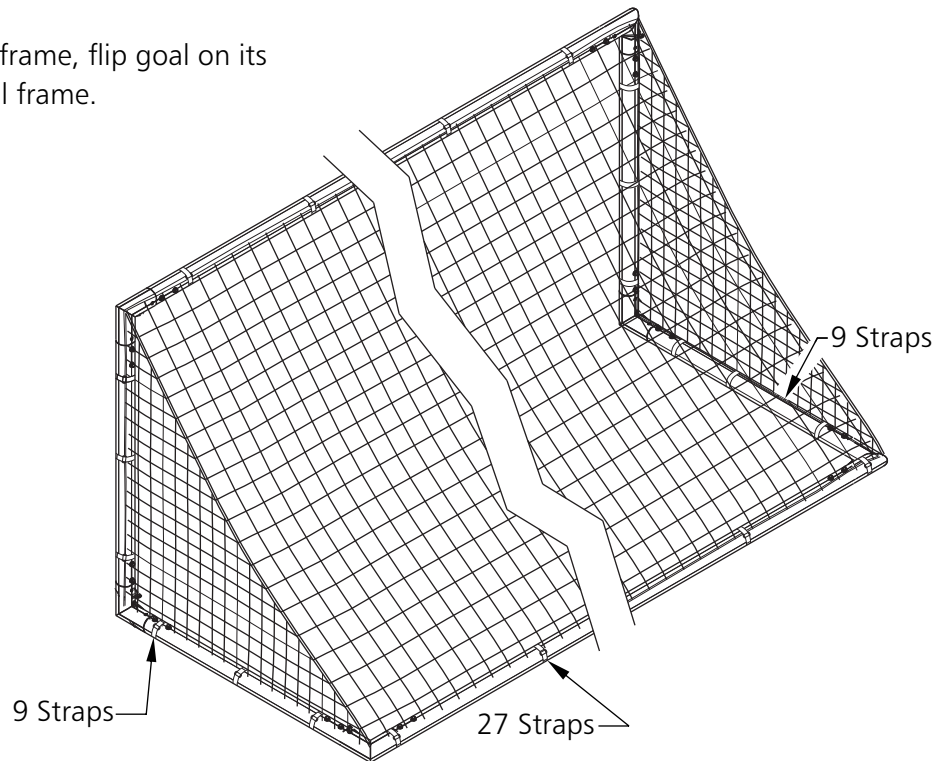
Any modifications to this or any Kwik Goal product will void any and all warranties.



7. With goal on its face, lay out net with top corner tags on net at location shown. Attach net to goal frame with net attachment straps.



8. After net is attached to face of goal frame, flip goal on its base and finish attaching net to goal frame.



*****CAUTION*****

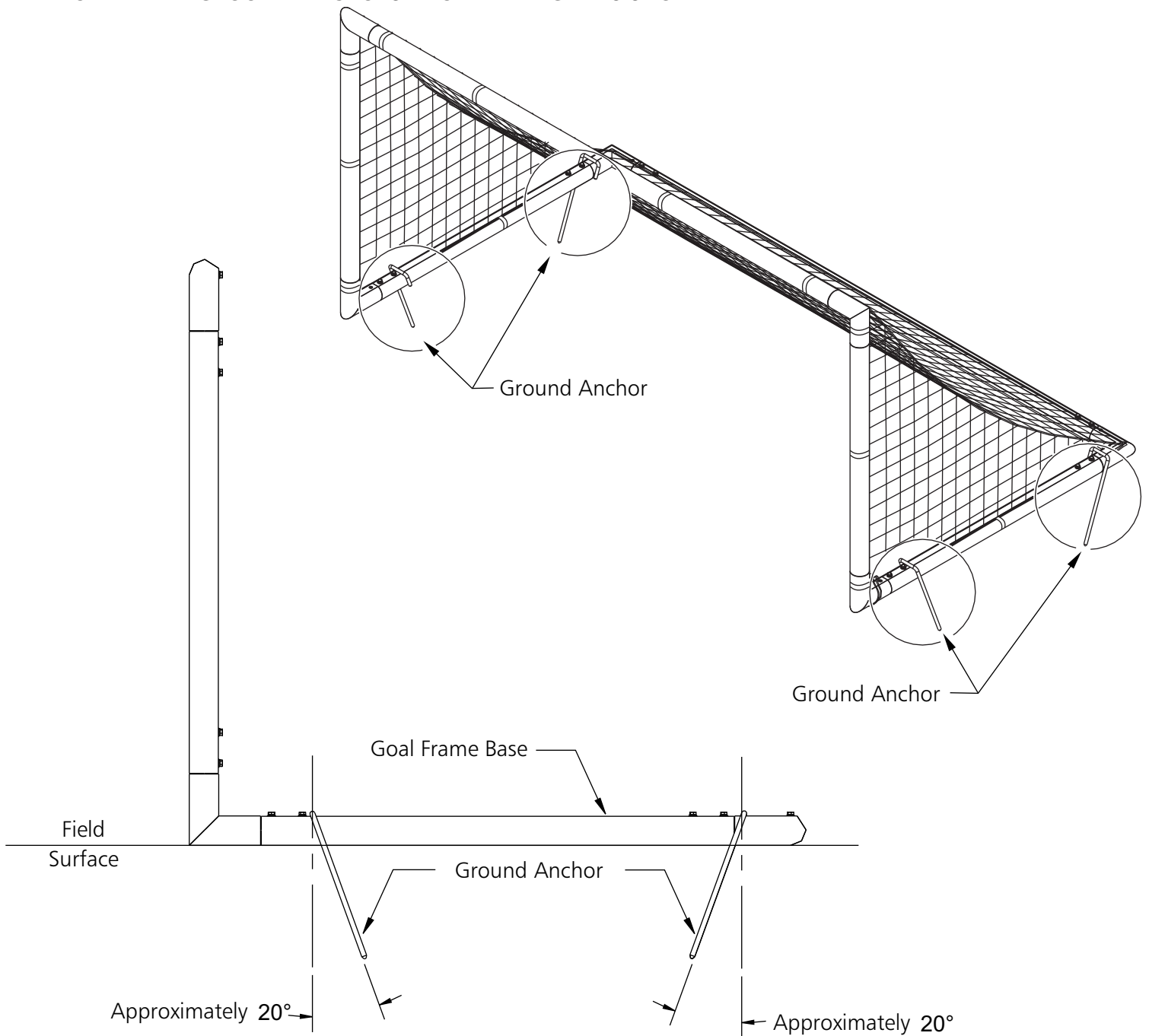
This goal has been designed to be used for the game of soccer only. Goal posts must be anchored AT ALL TIMES and shall be secured against overturning. Do not climb on the net or goal framework at any time! All fastenings must be checked to insure they are fully tightened before and after each use of this product.

Goal posts not in use must be disassembled and properly stored in a safe, secure area (See included Guidelines for Moveable Soccer Goal Safety.). Assembled goal posts should not be left unattended. Remove nets when goals are not in use. Do not use this equipment during the threat of high winds. Goal posts should be checked for safety before and after each use. All warning and safety labels included with this product must be visible at all times.

Any modifications to this or any Kwik Goal product will void any and all warranties.

9. Set goal in desired location. Using ground anchors, secure goal in place.

NOTE: DRIVE GROUND ANCHORS IN ON AN ANGLE AS SHOWN.



To view videos on Kwik Goal product instructions, drills and demos please visit kwikgoal.com/videos.

*****CAUTION*****

This goal has been designed to be used for the game of soccer only. Goal posts must be anchored AT ALL TIMES and shall be secured against overturning. Do not climb on the net or goal framework at any time! All fastenings must be checked to insure they are fully tightened before and after each use of this product.

Goal posts not in use must be disassembled and properly stored in a safe, secure area (See included Guidelines for Moveable Soccer Goal Safety.). Assembled goal posts should not be left unattended. Remove nets when goals are not in use. Do not use this equipment during the threat of high winds. Goal posts should be checked for safety before and after each use. All warning and safety labels included with this product must be visible at all times.

Any modifications to this or any Kwik Goal product will void any and all warranties.